

Form 19416
(240)
Printed in U. S. A.

LIST OF PARTS



MACHINE No. 147-4

THE SINGER MANUFACTURING COMPANY

INSTRUCTIONS FOR OILING

Before starting the machine, fill all oil reservoirs and apply oil to the connecting rod and all oil holes. When the machine is in continuous use, it should be thoroughly oiled at least twice a day.

Use either Singer "OIL FOR HIGH SPEED SEWING MACHINES (Cloth and Leather)" for general use, or "STAINLESS OIL FOR HIGH SPEED SEWING MACHINES" where a stainless oil is desired.

Copyright, U. S. A., 1939 and 1940
by The Singer Manufacturing Co.
All Rights Reserved for all Countries

INDEX

	Page
Accessories.....	14
Belt Guard.....	14
Binders (Transverse).....	14
Foot Lifter Parts.....	15
Knee Lifter Parts.....	16
Machine Base.....	16
Machine Base Oil Drain Jar.....	17
Machine No. 147-4.....	5
Numerical List of Parts.....	19
Tape Holder.....	17
Thread Unwinder.....	18

INSTRUCTIONS FOR ORDERING

In ordering from this list, use ONLY the part NUMBER in the FIRST column.

The number stamped on a Sewing Machine Part is in every case the number of the single part only.

Every combination of parts sent out as such has its specific number, which, although not stamped on the parts, must be used when ordering the combination.

Each number always indicates the SAME PART in whatever list it appears, or for whatever machine.

The letters after some of the numbers indicate the style of finish only, as follows:

- A-Hardened, Polished, Nickel Plated and Buffed
- A.A-Buffed and Chromium Plated
- A.B-Hardened, Polished, Buffed and Chromium Plated
- A.C-Brown Baking Enamel Finish
- A.D-Gray Baking Enamel Finish
- A.E-Hardened, Bright Rumbled and Nickel Plated
- A.F-Hardened, Bright Rumbled, Nickel Plated, Bright Rumbled and Chromium Plated
- B-Polished, Nickel Plated and Buffed
- C-Hardened Only
- C.R-Hardened and Merlized
- D-Polished Only
- E-Soft, Not Polished
- F-Hardened and Polished
- F.J-Hardened, Polished and Nickel Plated
- G-Bright Rumbled and Nickel Plated
- H-Blued
- J-Nickel Plated Only
- K-Hardened and Nickel Plated
- L-Brass Plated
- M-Oxidized
- N-Japanned, Dull
- P-Japanned, Bright
- P.P-Wrinkle Finish
- R-Merlized
- S-Cadmium Plated
- T-Copper Plated
- T.A-Hardened, Polished, Copper and Nickel Plated and Buffed
- T.B-Copper and Nickel Plated and Polished
- T.J-Copper and Nickel Plated Only
- T.K-Hardened, Copper and Nickel Plated
- T.L-Copper and Brass Plated
- T.M-Copper Plated and Oxidized
- U-Zinc Plated
- V-Silver Plated
- W-Polished and Nickel Plated
- X-Black Oxide, for Iron and Steel
- X.C-Hardened and Black Oxide, for Iron or Steel
- Y-Black Nickel Plated Only
- Z-Chromium Plated
- Z.A-Hardened, Polished, Nickel Plated, Buffed and Chromium Plated
- Z.B-Polished, Nickel Plated, Buffed and Chromium Plated
- Z.C-Hardened and Chromium Plated
- Z.D-Polished and Chromium Plated
- Z.G-Bright Rumbled, Nickel Plated, Bright Rumbled and Chromium Plated
- Z.J-Nickel and Chromium Plated
- Z.T-Copper and Chromium Plated

These letters MUST BE USED when they appear in the list; and AFTER the number as in the list.

In this series:

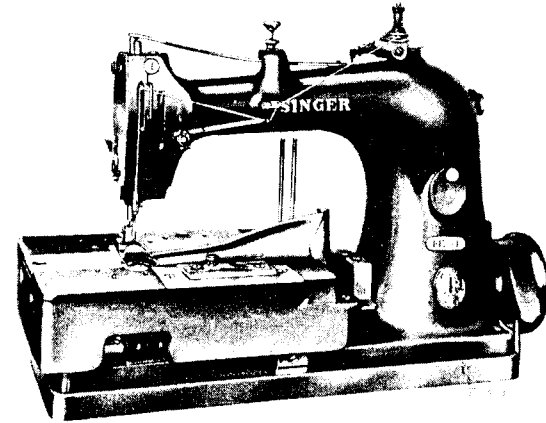
- 1 to 1500, 50001 to 51500 and 140001 to 142000 are Screw Numbers
- 1501 to 1800 and 51501 to 51800 are Nut Numbers
- 1801 to 2000 and 51801 to 52000 are Roller Numbers
- 2001 to 50000 and 52001 to 140000 and 142001 to 190000 are Sewing Machine Parts, 190001 and upward are numbers of Electrical Parts.

The figures in the second column refer only to the plates, illustrating the parts, and are NOT TO BE USED in ordering.

Parts marked with an asterisk (*) are furnished only when repairs are made at factory.

LIST OF PARTS COMPLETE

FOR



MACHINE No. 147-4

For Stitching Button Stays on Knit Underwear. One needle, one looper. Transverse Binder. Gathering feed. Speed up to 3500 R. P. M., according to the material being stitched.

No.	Plate	Name
*54304	-----	Arm, upper and lower (solid) with 948J, 15404, 54034 and two 15405.....
42366	20622	Arm Oil Pad (braided cotton) for oiling Arm Rock Shaft Front Bearing.....
56006	20622	Arm Oil Pad (braided cotton) for oiling Arm Rock Shaft Intermediate Bearing.
56003	20622	Arm Oil Tube with 52045, for oiling Needle Bar Connecting Link.....
52045	20622	Arm Oil Tube Packing (wick).....
54002	20622	" Rock Shaft.....
54079	-----	" " " 54002 with 54004 and 64255
64386	20622	" " " Bushing (back).....
446C	20622	" " " " " Set Screw..
64388	20622	" " " " (intermediate)....
423C	20622	" " " " " Set Screw.....

No.	Plate	Name
52045	20622	Arm Rock Shaft Bushing Oil Pad (wick)...
54004	20622	" " " Collar with two 453C.....
453C	20622	" " " " Set Screw.....
131072	20623	" " " Crank (back) (ball bearing, solid) with two 50083C.....
50083C	20623	Arm Rock Shaft Crank (back) Set Screw...
64255	20622	" " " " (front) with 453C..
2117	20622	" " " " " Pin.....
453C	20622	" " " " " Set Screw..
54105	20622	" " " Flanged Bushing (front)...
52045	20622	" " " " " " Oil Pad (wick).....
453C	20622	Arm Rock Shaft Flanged Bushing (front) Set Screw.....
54359	20623	Arm Rotary Shaft.....
Note: When No. 54359 is required for repairs, the Looper Driving Shaft and Feed Lifting Eccentric must be returned to the factory to be adjusted to the new part.		
54385	-----	Arm Rotary Shaft 54359 with 640E, 54113, 54317, 54383, 54450, 64351, 64355 and 131344.....
54367	20623	Arm Rotary Shaft Bushing (front).....
761E	20623	" " " " " Set Screw
54007	20623	" " " " (intermediate).
54089	-----	" " " " " " 54007 with 64508 and 64805.....
64508	20623	Arm Rotary Shaft Bushing (intermediate) Oil Pad, long (braided cotton).....
64805	20623	Arm Rotary Shaft Bushing (intermediate) Oil Pad, short (braided cotton)....
422C	20623	Arm Rotary Shaft Bushing (intermediate) Set Screw (long).....
50084C	20623	Arm Rotary Shaft Bushing (intermediate) Set Screw (short).....
54450	20623	Arm Rotary Shaft Collar with two 1258C..
1258C	20623	" " " " " Set Screw.....
54009	20623	" " " Flanged Bushing.....
54090	-----	" " " " " " 54009 with 58039 and 64805.....
58039	20623	Arm Rotary Shaft Flanged Bushing Oil Pad, long (braided cotton).....
64805	20623	Arm Rotary Shaft Flanged Bushing Oil Pad, short (braided cotton).....
159F	20623	Arm Rotary Shaft Flanged Bushing Screw..
49013	20623	" " " Front Bearing Oil Pad (braided cotton).....
144D	20623	Arm Rotary Shaft Screw.....
15196	20625	" Side Cover (back).....
51224W	20625	" " " " Thumb Screw.....

No.	Plate	Name
54010	20625	Arm Side Cover (front).....
51224W	20625	" " " " Thumb Screw.....
64259	20623	Balance Wheel, 2 in. diam. pulley with two 51283C.....
51283C	20623	Balance Wheel Set Screw.....
54305	20624	Cloth Plate.....
46432	20624	" " Bracket.....
742F	20624	" " " Screw.....
54309	20624	" " Oil Tube with 49092.....
49092	20624	" " " " Packing (felt)....
54306	20624	" " Slide (large).....
46434	20624	" " " " Spring (left).
725J	20624	" " " " " " Screw.....
38416	20624	Cloth Plate Slide (large) Spring (right)
725J	20624	" " " " " " " " Screw.....
53216	20624	Cloth Plate Slide (large) Steady Plate..
1443B	20624	" " " " " " " " Screw.....
54307	-----	Cloth Plate Slide (large) complete, Nos. 38416, 46434, 54306 and four 725J...
54012	20624	Cloth Plate Slide (small).....
38419	20624	" " " " " Spring.....
725J	20624	" " " " " " Screw..
54013	-----	Cloth Plate Slide (small) complete, Nos. 38419, 54012 and two 725J.....
54308	20624	Cloth Plate complete, Nos. 53216, 54013, 54305, 54307, 54309 and two 1443B...
1011F	20624	Cloth Plate Screw (left).....
50473F	20624	" " " (right).....
54017	20623	Crank Connecting Rod with 6575, 54218, 68350 and two each 896E and 1057E...
131344	----	Crank Connecting Rod 54017 with 131072..
896E	20623	" " " Cap (lower) Screw..
1057E	20623	" " " " (upper) Screw..
68350	20623	" " " Oil Cup.....
54218	20623	" " " " Pad (braided cotton).....
6575	20623	Crank Connecting Rod Oil Pad Stop Pin...
64269	20625	Face Plate.....
46111	20625	" " Pin.....
51224W	20625	" " Thumb Screw.....
54019	20626	Feed (back) Bar with 50429C and two 453C
54020	20627	" " " Connection.....
54310	20626	" " " Hinge Pin (eccentric)...
24292	20626	" " " " " " Collar with 1019C.....
1019C	20626	Feed (back) Bar Hinge Pin (eccentric) Collar Set Screw.....

No.	Plate	Name
453C	20626	Feed (back) Bar Hinge Pin Set Screw.....
54111	20623	" " Connecting Rod with 1057E and two 896E.....
54113	-----	Feed (back) Connecting Rod 54111 with 54025.....
896E	20623	Feed (back) Connecting Rod Cap Screw....
1057E	20623	" " " " Clamping Screw.....
54023	20626	Feed (back) Connecting Rod Hinge Pin....
21506	20626	" " " " " "
		Collar with 457C.....
457C	20626	Feed (back) Connecting Rod Hinge Pin Collar Set Screw.....
54363	20631	Feed (back) Dog, 8 teeth (16 teeth to the inch) for 54364.....
157J	20631	Feed (back) Dog Screw.....
50429C	20626	" " " Stop Screw.....
54311	20626	" (front) Bar.....
21F	20626	" " " Hinge Screw.....
1520E	20626	" " " " Nut.....
54312	20626	" " Connecting Rod.....
26F	20626	" " " " Hinge Screw.
1680C	20626	" " " " " "
		Nut.....
42290	20626	Feed (front) Connecting Rod Hinge Screw Nut Washer.....
46443	20631	Feed (front) Dog, 12 teeth (16 teeth to the inch) for 54364.....
190J	20631	Feed (front) Dog Screw.....
54313	20623	" " Lifting Rock Shaft.....
54314	20623	" " " " Crank (back) forked, with 50083C, 50200C and 50571D.....
50571D	20623	Feed (front) Lifting Rock Shaft Crank (back) Adjusting Screw.....
50200C	20623	Feed (front) Lifting Rock Shaft Crank (back) Position Screw.....
50083C	20623	Feed (front) Lifting Rock Shaft Crank (back) Set Screw.....
54315	20623	Feed (front) Lifting Rock Shaft Crank (back) Slide Block (two pieces)....
54316	20623	Feed (front) Lifting Rock Shaft Crank (front) with two 1057D.....
1057D	20623	Feed (front) Lifting Rock Shaft Crank (front) Clamping Screw.....
54317	20623	Feed (front) Lifting Rock Shaft Eccen- tric with two 448C.....
448C	20623	Feed (front) Lifting Rock Shaft Eccen- tric Set Screw.....
51061C	20623	Feed Eccentric Body Set Screw.....

No.	Plate	Name
7071	20623	Feed Eccentric Clamping Washer.....
217J	20623	" " " " Screw....
54025	20623	Feed Eccentric (adjustable) complete, Nos.1103C and two each 217J,7071 and 51061C.....
1103C	20623	Feed Regulating Screw.....
54026	20626	" Rocking Frame with two 453C.....
57234	20626	" " " Hinge Pin.....
57235	20626	" " " " Bushing....
453C	20626	" " " " " " Set Screw.....
453C	20626	Feed Rocking Frame Hinge Pin Set Screw..
53202	20631	Looper.....
53203	20631	" 53202 with 229D and 52661.....
54027	20627	" Carrier with two 175E.....
175E	20627	" " Adjusting Screw.....
54227	20627	" " Connection.....
54228	20627	" " " Shaft.....
54229	20627	" " " " Bushing.
446C	20627	" " " " " "
		Set Screw.....
49013	20627	Looper Carrier Connection Shaft Oil Pad (braided cotton).....
54230	20627	Looper Carrier Driver with four 175E....
175E	20627	" " " Cap Screw.....
*54368	20627	" Driving Shaft and Feed Lifting Eccentric with 227E and two 64315...

Note: When No. 54368 is required for repairs, the Arm Rotary Shaft must be returned to the factory to be adjusted to the new part.

*54383	-----	Looper Driving Shaft and Feed Lifting Eccentric 54368 with 54027, 54227, 54228 and 54230.....
*54034	-----	Looper Driving Shaft and Feed Lifting Eccentric Bracket with 761E.....
54080	20627	Looper Driving Shaft and Feed Lifting Eccentric Bracket Bushing.....
761E	20627	Looper Driving Shaft and Feed Lifting Eccentric Bracket Bushing Set Screw.
948J	20627	Looper Driving Shaft and Feed Lifting Eccentric Bracket Screw.....
64315	-----	Looper Driving Shaft and Feed Lifting Eccentric Oil Hole Plug.....
227E	20627	Looper Driving Shaft and Feed Lifting Eccentric Oil Hole Screw.....
40326	20627	Looper Driving Shaft and Feed Lifting Eccentric Oil Pad (braided cotton)..
640E	20623	Looper Driving Shaft and Feed Lifting Eccentric Screw.....
54035	20627	Looper Holder with 1120C.....

No.	Plate	Name
704J	20627	Looper Holder Screw.....
52661	20631	" Needle Guard with 46105.....
46105	20631	" " " Pin.....
229D	20631	" " " Screw.....
1120C	20627	" Set Screw.....
54036	20628	Needle Bar (hollow) with 857C.....
38456	20628	" " Bushing (lower).....
1133E	20628	" " " " Set Screw....
64320	20628	" " " (upper).....
1133E	20628	" " " " Set Screw....
54326	20628	" " Connecting Link.....
54329	----	" " " " 54326 with 54327 and 54328.....
54327	20628	Needle Bar Connecting Link Hinge Stud...
1520J	20628	" " " " " " Nut
54328	20628	" " " Stud with 211F and two 187E.....
187E	20628	Needle Bar Connecting Stud Clamping Screw.....
54318	20631	Needle Guard.....
54038	20631	" " Holder.....
176J	20631	" " " Screw.....
217F	20631	" " Screw.....
857C	20628	" Set Screw.....
54108	20625	Oil Tube.....
54109	20625	" " Bracket.....
49092	20625	" " Packing (felt).....
54110	20625	Oil Tube complete, for oiling Crank Con- necting Rod (upper bearing) Nos. 49092, 54108 and 54109.....
64330	20628	Presser Bar with 25303.....
25303	20628	" " Ball, size 1/4 in.....
64331	20628	" " Bushing (lower).....
1133E	20628	" " " " Set Screw...
38456	20628	" " " (upper).....
1133E	20628	" " " " Set Screw...
54039	20628	" " Guide Bracket with 453C, 640J and 1963.....
640J	20628	Presser Bar Guide Bracket Adjusting Screw.....
11173	20628	Presser Bar Guide Bracket Guide.....
447C	20628	" " " " " Set Screw
1963	20628	" " " " Roller and Stud.....
453C	20628	Presser Bar Guide Bracket Set Screw....
57257	20628	" " Lifter.....
57258	20628	" " " Hinge Stud.....
447C	20628	" " " " " Set Screw.
1872	20628	" " " Roller and Stud.....
1250C	20628	" " " Stop Screw.....

No.	Plate	Name
61047	20628	Presser Bar Lifting Bracket with 460C and 1872.....
68208	20625	Presser Bar Lifting Lever.....
61075	20625	" " " " Connecting Pin
460C	20628	" " " " " "
		Set Screw.....
68184	20625	Presser Bar Lifting Lever Extension....
161D	20625	" " " " " Screw
802D	20625	" " " " Hinge Screw...
38467	20625	" " Spring (flat).....
38468	20625	" " Stud.....
26276	20631	" Foot Hinge Pin.....
46455	20631	" " Plate.....
46456	20631	" " Shank.....
46457	20631	Presser Foot (hinged) complete, Nos. 26276, 46455 and 46456.....
190J	20631	Presser Foot Screw.....
574W	20625	Pressure Regulating Thumb Screw.....
1539W	20625	" " " " Lock Nut
54381	20630	Slack Thread Controller.....
54242	20630	" " " Clamp.....
190J	20630	" " " " Screw....
54041	20630	" " Regulator.....
54042	20630	" " " Holder with 175E and two 50150C.....
175E	20630	Slack Thread Regulator Holder Clamping Screw.....
54043	20630	Slack Thread Regulator Holder Shaft....
24292	20630	" " " " Collar with 1019C.....
1019C	20630	Slack Thread Regulator Holder Shaft Collar Set Screw.....
54044	20630	Slack Thread Regulator Holder Shaft Crank (forked) with 1253C.....
1253C	20630	Slack Thread Regulator Holder Shaft Crank Set Screw.....
50150C	20630	Slack Thread Regulator Set Screw.....
2102	20629	Tension (under thread) Disc.....
51570C	20629	" " " Regulating Thumb Nut.....
50326C	20629	Tension (under thread) Screw Stud.....
59539	----	" " " " " 50326C with 51570C.....
131740	20629	Tension (under thread) Spring.....
59537	20629	" " " " Bushing (large).....
59538	20629	Tension (under thread) Spring Bushing (small).....
131696	20629	Tension (under thread) Thread Guide (double).....

No.	Plate	Name
54045	20630	Tension (upper thread) Bracket.....
376D	20630	" " " " Screw....
2102	20630	" " " Disc.....
51570C	20630	" " " Regulating Thumb Nut.....
32572	20630	Tension (upper thread) Releasing Disc...
54988	20630	" " " " Pin....
54046	20630	" " " " Shaft..
54047	20630	" " " " "
		Crank with 624C.....
54048	20630	Tension (upper thread) Releasing Shaft Crank Link.....
624C	20630	Tension (upper thread) Releasing Shaft Crank Set Screw.....
54990	20630	Tension (upper thread) Releasing Shaft Spring.....
316F	20630	Tension (upper thread) Releasing Shaft Stop Screw.....
1547J	20630	Tension (upper thread) Releasing Shaft Stop Screw Nut.....
50326C	20630	Tension (upper thread) Screw Stud.....
59539	-----	" " " " " 50326C with 51570C.....
131741	20630	Tension (upper thread) Spring.....
59537	20630	" " " " Bushing (large).....
59538	20630	Tension (upper thread) Spring Bushing (small).....
131696	20630	Tension (upper thread) Thread Guide (double).....
53225	20629	Thread (under) Eyelet (back).....
190J	20629	" " " " Screw.....
38284	20629	" " " (front).....
64351	20623	" " Nipper Cam with 465C....
465C	20623	" " " " Set Screw....
38210	20629	" " " Spring (lower)....
38211	20629	" " " " (upper)....
46247	20629	" " " " Stop Screw.....
176J	20629	" " " " Screw.....
38475	20623	" " Take-up with 465C.....
465C	20623	" " " Set Screw.....
38478	20629	" " " Staple with two each 590J and 38481.....
54049	20629	Thread (under) Take-up Staple Bracket with 460C.....
965D	20629	Thread (under) Take-up Staple Bracket Screw.....
46041	20629	Thread (under) Take-up Staple Spring....
190J	20629	" " " " " Screw
38481	20629	" " " " Thread Guard

No.	Plate	Name
590J	20629	Thread (under) Take-up Staple Thread Guard Screw.....
38482	20629	Thread (under) Take-up Stripper.....
207J	20629	" " " " Screw...
64355	20623	" " " Thread Guard (brass).....
64356	20629	Thread (under) Take-up Thread Guard Steady Pin.....
460C	20629	Thread (under) Take-up Thread Guard Steady Pin Set Screw.....
54330	20630	Thread (upper) Controller.....
207J	20630	" " " " Screw.....
38484	20630	" " Eyelet.....
190J	20630	" " " " Screw.....
54051	20630	" " Take-up.....
211F	20628	" " " Set Screw.....
54364	20631	Throat Plate for 46443 and 54363.....
742F	20631	" " " Screw.....
*15404	-----	Trade Mark.....
15405	-----	" " Rivet.....

Genuine Singer Needles should be used
in Singer Machines.
These Needles and their Containers
are marked with the
Company's Trade Mark "SIMANCO." 1

Needles in Containers marked
"For Singer Machines"
are not Singer made needles. 2

ACCESSORIES

No.	Plate	Name
120344	20632	Oiler (copper plated) with 120345.....
120345	20632	" Spout, 4 1/2 in. long.....
120440	20632	Screw Driver (large).....
121108	20632	" " (small).....
38487	20632	Threading Wire.....
120341	20632	Tweezers (curved).....
8908	20632	Wrench for 1520.....
4822	20632	" " 1547.....

BELT GUARD

No.	Plate	Name
68222	20633	Belt Guard with two wood screws 1 in. No. 12.....

BINDERS (Transverse)

No.	Plate	Name
120326	20634	Binder (transverse) for 36305.....
36305	-----	" " 120326 with 36306 and two 1443F.....
121756	20635	Binder (transverse) for 36498.....
36498	-----	" " 121756 with 36306 and two 1443F, for neck binding, for selvage edge material.....
120355	20636	Binder (transverse) for binding with coarse dressing with 120356, 120357 and four 665J, for 120358.....
120358	-----	Binder (transverse) 120355 with 36306 and two 1443F.....
120849	20637	Binder (transverse) for knit material, for necking underwear for 120850....
120850	-----	Binder (transverse) 120849 with 36306 and two 1443F.....
36306	20634	Binder Bracket with two 194D.....
36307	20634	" " Lock Spring.....
1425B	20634	" " " " Guide Screw..
1443F	20634	" " " " Screw.....
51224W	20634	" " " " Thumb Screw..
36308	20634	" " Plate.....
1423B	20634	" " " Screw.....

No.	Plate	Name
194D	20634	Binder Bracket Screw Stud.....
120356	20636	" Hook (lower) for 120355.....
665J	20636	" " " Screw for 120355....
120357	20636	" " (upper) for 120355.....
665J	20636	" " " Screw for 120355....
35724	20640	" Ribbon Tension Block.....
35726	20640	" " " Bracket with two 185R
185R	20640	" " " " Clamping Screw
162D	20640	" " " " Screw.....
35725	-----	" " " Pin.....
35727	-----	" " " Stud.....
35728	20640	" " " " 35727 with 35724 and two 35725.....
1443F	20634	Binder Screw.....
36596	20634	Edge Guide.....
50004B	20634	" " Screw.....
120279	20634	Feed (back) Dog, 13 teeth (16 teeth to the inch) for 120280.....
26276	20634	Presser Foot Hinge Pin.....
46455	20634	" " Plate.....
46456	20634	" " Shank.....
46457	20634	Presser Foot (hinged) complete, Nos. 26276, 46455 and 46456.....
120280	20634	Throat Plate for 120279.....

FOOT LIFTER PARTS

No.	Plate	Name
6439	-----	Chain, 36 in. to 45 in. with 56864 and 56865.....
Note: When ordering No. 6439, state length required.		
4879	20633	Chain Connecting Link.....
56864	20632	" Hook (large).....
56865	20632	" " (small).....
126249	20633	Treadle.....
4882	20633	" Shaft.....
126250	20633	" Spring.....
150451	20633	" Stand.....
150452	20633	Treadle complete, Nos. 4879,4882,126249, 126250, 150451 and two wood screws 1 in. No. 16 F.H.....

KNEE LIFTER PARTS

No.	Plate	Name
37563	-----	Chain, length 15 in. with 56864 and 56865.....
56864	20632	Chain Hook (large).....
56865	20632	" " (small).....
2763	20633	Rock Shaft.....
12242	20633	" " Hanger with two wood screws 1 in. No. 10.....
6335	20633	Rock Shaft Knee Arm.....
6336	-----	Rock Shaft Knee Arm complete, Nos. 2766, 2767 and 6335.....
2766	20633	Rock Shaft Knee Arm Hub with 356C.....
356C	20633	" " " " " Set Screw.....
2767	20633	" " " " Plate with 356C.....
356C	20633	" " " " " Set Screw.....
6337	20633	" " Lifting Bracket with two 356C.....
7125	20633	" " " " " Hook.....
356C	20633	" " " " " " Set Screw.....
356C	20633	" " " " " " Set Screw.....
2770	20633	" " Stop Dog with 140219C.....
140219C	20633	" " " " " " Set Screw.....
23767	20633	Rock Shaft complete, Nos. 2763, 2770, 6336, 6337, 7125 and two 12242.....

MACHINE BASE

No.	Plate	Name
131340	20638	Machine Base.....
131019	20638	" " Oil Pipe.....
131020	20638	" " " " Valve.....
54477	20638	" " Screw Stud.....
51576E	20638	" " " " Nut.....
9842	20638	" " " " " Washer.....
131279	20638	" Cushion (felt).....
948E	20638	" Screw, to fasten machine to base
131320	20638	Machine Base complete, Nos. 131019, 131020, 131340, three each 9842, 51576E, 54477 and four each 948E and 131279.....

MACHINE BASE OIL DRAIN JAR

(SWINGING TYPE)

No.	Plate	Name
131185	20639	Jar (glass).....
131191	20639	" Cap.....
131188	20639	" Clamp.....
131217	-----	" " 131188 with 131189.....
131189	20639	" " Lever.....
1247C	20639	" " " Hinge Screw.....
131265	20639	Nipple (long).....
131266	20639	" (short).....
131267	20639	" Elbow.....
131268	20639	Machine Base Oil Drain Jar (swinging type) complete, Nos. 131185, 131191, 131217, 131266 and two each 1247C, 131265 and 131267.....
131327	20639	Machine Base with Oil Drain Jar (swinging type) complete, Nos. 131268, 131340, three each 9842, 51576E, 54477 and four each 948E and 131279.....

TAPE HOLDER

No.	Plate	Name
35908	-----	Disc.....
35909	20640	" 35908 with 35910.....
35910	20640	" Hub.....
35911	20640	Shaft.....
35912	20640	" Bushing with 35913.....
35913	20640	" " Guide.....
793D	20640	" " Thumb Screw.....
35914	20640	Spindle.....
35915	20640	Stand.....
35916	20640	Tension Spring.....
288D	20640	" " Thumb Screw.....
35917	20640	Tape Holder (10 in. disc) complete, Nos. 288D, 793D, 35909, 35911, 35912, 35914 to 35916 and three wood screws 1 in. No. 10.....

THREAD UNWINDER

FOR TWO SPOOLS OR TWO LARGE CONES OF THREAD

No.	Plate	Name
225257	22248	Spool Rest with 201018C
150203	22248	" " Cushion (felt).....
225388	22248	" " Rod.....
200383C	22248	" " " Set Screw.....
201018C	22248	" " Set Screw.....
202490	22248	" Stand with 200383C.....
225391	22248	Thread Guide.....
201696J	22248	" " Lock Nut.....
225326	22248	" " Position Cup.....
225324	22248	" " Rod with 208E and 225322...
208E	22248	" " " Screw.....
225322	22248	" " " " Washer.....
225258	22248	Thread Unwinder complete, Nos. 201696J, 202490, 225257, 225324, 225326, 225388, two each 150203, 225391 and three wood screws 7/8 in. No. 12.....
27739	22248	Thread Cone (wood) for large cones.....
225390	22248	" " Holder, for inverted cones..

Note: Nos. 27739 and 225390 are used with, but not included in 225258.

NUMERICAL LIST OF PARTS

NUMERICAL
LIST
OF PARTS

No.	Plate	Name
21F	20626	Feed (front) Bar Hinge Screw.....
26F	20626	" " Connecting Rod Hinge Screw.
144D	20623	Arm Rotary Shaft Screw.....
157J	20631	Feed (back) Dog Screw.....
159F	20623	Arm Rotary Shaft Flanged Bushing Screw..
161D	20625	Presser Bar Lifting Lever Extension Screw.....
162D	20640	Binder Ribbon Tension Bracket Screw.....
175E	20627	Looper Carrier Adjusting Screw for 54027
175E	20627	" " Driver Cap Screw for 54230
175E	20630	Slack Thread Regulator Holder Clamping Screw for 54042.....
176J	20631	Needle Guard Holder Screw.....
176J	20629	Thread (under) Nipper Spring Screw.....
185R	20640	Binder Ribbon Tension Bracket Clamping Screw for 35726.....
187E	20628	Needle Bar Connecting Stud Clamping Screw for 54328.....
190J	20631	Feed (front) Dog Screw.....
190J	20631	Presser Foot Screw.....
190J	20630	Slack Thread Controller Clamp Screw.....
190J	20629	Thread (under) Eyelet (back) Screw.....
190J	20629	" " Take-up Staple Spring Screw
190J	20630	" (upper) Eyelet Screw.....
194D	20634	Binder Bracket Screw Stud for 36306.....
207J	20629	Thread (under) Take-up Stripper Screw...
207J	20630	" (upper) Controller Screw.....
208E	22248	" Unwinder Thread Guide Rod Screw for 225324.....
211F	20628	Thread (upper) Take-up Set Screw for 54328.....
217J	20623	Feed Eccentric Clamping Washer Screw for 54025.....
217F	20631	Needle Guard Screw.....
227E	20627	Looper Driving Shaft and Feed Lifting Eccentric Oil Hole Screw for 54368..
229D	20631	Looper Needle Guard Screw for 53203.....
288D	20640	Tape Holder Tension Spring Thumb Screw for 35917.....
316F	20630	Tension (upper thread) Releasing Shaft Stop Screw.....
356C	20633	Rock Shaft Knee Arm Hub Set Screw for 2766.....
356C	20633	Rock Shaft Knee Plate Set Screw for 2767
356C	20633	" " Lifting Bracket Hook Set Screw for 6337.....

No.	Plate	Name
356C	20633	Rock Shaft Lifting Bracket Set Screw for 6337.....
376D	20630	Tension (upper thread) Bracket Screw....
422C	20623	Arm Rotary Shaft Bushing (intermediate) Set Screw (long).....
423C	20622	Arm Rock Shaft Bushing (intermediate) Set Screw.....
446C	20622	Arm Rock Shaft Bushing (back) Set Screw.
446C	20627	Looper Carrier Connection Shaft Bushing Set Screw.....
447C	20628	Presser Bar Guide Bracket Guide Set Screw.....
447C	20628	Presser Bar Lifter Hinge Stud Set Screw.
448C	20623	Feed (front) Lifting Rock Shaft Eccentric Set Screw for 54317.....
453C	20622	Arm Rock Shaft Collar Set Screw for 54004.....
453C	20622	Arm Rock Shaft Crank (front) Set Screw for 64255.....
453C	20622	Arm Rock Shaft Flanged Bushing (front) Set Screw.....
453C	20626	Feed (back) Bar Hinge Pin Set Screw for 54019.....
453C	20626	Feed Rocking Frame Hinge Pin Bushing Set Screw for 54026.....
453C	20626	Feed Rocking Frame Hinge Pin Set Screw for 54026.....
453C	20628	Presser Bar Guide Bracket Set Screw for 54039.....
457C	20626	Feed (back) Connecting Rod Hinge Pin Collar Set Screw for 21506.....
460C	20628	Presser Bar Lifting Lever Connecting Pin Set Screw for 61047.....
460C	20629	Thread (under) Take-up Thread Guard Steady Pin Set Screw for 54049.....
465C	20623	Thread (under) Nipper Cam Set Screw for 64351.....
465C	20623	Thread (under) Take-up Set Screw for 38475.....
574W	20625	Pressure Regulating Thumb Screw.....
590J	20629	Thread (under) Take-up Staple Thread Guard Screw for 38478.....
624C	20630	Tension (upper thread) Releasing Shaft Crank Set Screw for 54047.....
640E	20623	Looper Driving Shaft and Feed Lifting Eccentric Screw for 54385.....
640J	20628	Presser Bar Guide Bracket Adjusting Screw for 54039.....
665J	20636	Binder Hook (lower) Screw for 120355....
665J	20636	" " (upper) Screw for 120355....

No.	Plate	Name
704J	20627	Looper Holder Screw.....
725J	20624	Cloth Plate Slide (large) Spring (left) Screw for 54307.....
725J	20624	Cloth Plate Slide (large) Spring (right) Screw for 54307.....
725J	20624	Cloth Plate Slide (small) Spring Screw for 54013.....
742F	20624	Cloth Plate Bracket Screw.....
742F	20631	Throat Plate Screw.....
761E	20623	Arm Rotary Shaft Bushing (front) Set Screw.....
761E	20627	Looper Driving Shaft and Feed Lifting Eccentric Bracket Bushing Set Screw for 54034.....
793D	20640	Tape Holder Shaft Bushing Thumb Screw for 35917.....
802D	20625	Presser Bar Lifting Lever Hinge Screw...
857C	20628	Needle Set Screw for 54036.....
896E	20623	Crank Connecting Rod Cap (lower) Screw for 54017.....
896E	20623	Feed (back) Connecting Rod Cap Screw for 54111.....
948J	20627	Looper Driving Shaft and Feed Lifting Eccentric Bracket Screw for 54304...
948E	20638	Machine Screw, to fasten machine to base, for 131320 and 131327.....
965D	20629	Thread (under) Take-up Staple Bracket Screw.....
1011F	20624	Cloth Plate Screw (left).....
1019C	20626	Feed (back) Bar Hinge Pin (eccentric) Collar Set Screw for 24292.....
1019C	20630	Slack Thread Regulator Holder Shaft Collar Set Screw for 24292.....
1057E	20623	Crank Connecting Rod Cap (upper) Screw for 54017.....
1057E	20623	Feed (back) Connecting Rod Clamping Screw for 54111.....
1057D	20623	Feed (front) Lifting Rock Shaft Crank (front) Clamping Screw for 54316....
1103C	20623	Feed Regulating Screw for 54025.....
1120C	20627	Looper Set Screw for 54035.....
1133E	20628	Needle Bar Bushing (lower) Set Screw....
1133E	20628	" " " (upper) Set Screw....
1133E	20628	Presser Bar Bushing (lower) Set Screw...
1133E	20628	" " " (upper) Set Screw...
1247C	20639	Machine Base Oil Drain Jar Clamp Lever Hinge Screw for 131268.....
1250C	20628	Presser Bar Lifter Stop Screw.....
1253C	20630	Slack Thread Regulator Holder Shaft Crank Set Screw for 54044.....

No.	Plate	Name
1258C	20623	Arm Rotary Shaft Collar Set Screw for 54450.....
1423B	20634	Binder Bracket Plate Screw.....
1425B	20634	" " Lock Spring Guide Screw..
1443B	20624	Cloth Plate Slide (large) Steady Plate Screw for 54308.....
1443F	20634	Binder Bracket Lock Spring Screw for 36305, 36498, 120358 and 120850.....
1443F	20634	Binder Screw for 36305, 36498, 120358 and 120850.....
1520E	20626	Feed (front) Bar Hinge Screw Nut.....
1520J	20628	Needle Bar Connecting Link Hinge Stud Nut.....
1539W	20625	Pressure Regulating Thumb Screw Lock Nut
1547J	20630	Tension (upper thread) Releasing Shaft Stop Screw Nut.....
1680C	20626	Feed (front) Connecting Rod Hinge Screw Nut.....
1872	20628	Presser Bar Lifter Roller and Stud for 61047.....
1963	20628	Presser Bar Guide Bracket Roller and Stud for 54039.....
2102	20629	Tension (under thread) Disc.....
2102	20630	" (upper thread) Disc.....
2117	20622	Arm Rock Shaft Crank (front) Pin.....
2763	20633	Rock Shaft for 23767.....
2766	20633	" " Knee Arm Hub with 356C, for 6336.....
2767	20633	Rock Shaft Knee Plate with 356C, for 6336.....
2770	20633	Rock Shaft Stop Dog with 140219C, for 23767.....
4822	20632	Wrench for 1547 (Accessories).....
4879	20633	Foot Lifter Chain Connecting Link for 150452.....
4882	20633	Foot Lifter Treadle Shaft for 150452....
6335	20633	Rock Shaft Knee Arm for 6336.....
6336	-----	Rock Shaft Knee Arm complete for 23767, Nos. 2766, 2767 and 6335.....
6337	20633	Rock Shaft Lifting Bracket with two 356C, for 23767.....
6439	-----	Foot Lifter Chain, 36 in. to 45 in. with 56864 and 56865.....
6575	20623	Crank Connecting Rod Oil Pad Stop Pin for 54017.....
7071	20623	Feed Eccentric Clamping Washer for 54025
7125	20633	Rock Shaft Lifting Bracket Hook for 23767.....
8908	20632	Wrench for 1520 (Accessories).....
9042	20638	Machine Base Screw Stud Nut Washer for 131320 and 131327.....

No.	Plate	Name
11173	20628	Presser Bar Guide Bracket Guide.....
12242	20633	Rock Shaft Hanger with two wood screws 1 in. No. 10, for 23767.....
15196	20625	Arm Side Cover (back).....
*15404	-----	Trade Mark for 54304.....
15405	-----	" " Rivet for 54304.....
21506	20626	Feed (back) Connecting Rod Hinge Pin Collar with 457C.....
23767	20633	Rock Shaft complete, Nos. 2763, 2770, 6336, 6337, 7125 and two 12242.....
24292	20626	Feed (back) Bar Hinge Pin (eccentric) Collar with 1019C.....
24292	20630	Slack Thread Regulator Holder Shaft Collar with 1019C.....
25303	20628	Presser Bar Ball, size 1/4 in. for 64330
26276	20631	" Foot Hinge Pin for 46457.....
27739	22248	Thread Unwinder Thread Cone (wood) for large cones for 225258.....
32572	20630	Tension (upper thread) Releasing Disc...
35724	20640	Binder Ribbon Tension Block for 35728...
35725	-----	" " " Pin for 35728.....
35726	20640	" " " Bracket with two 185R.....
35727	-----	Binder Ribbon Tension Stud for 35728....
35728	20640	" " " " 35727 with 35724 and two 35725.....
35908	-----	Tape Holder Disc for 35909.....
35909	20640	" " " 35908 with 35910, for 35917.....
35910	20640	Tape Holder Disc Hub for 35909.....
35911	20640	" " Shaft for 35917.....
35912	20640	" " " Bushing with 35913, for 35917.....
35913	20640	Tape Holder Shaft Bushing Guide for 35912.....
35914	20640	Tape Holder Spindle for 35917.....
35915	20640	" " Stand for 35917.....
35916	20640	" " Tension Spring for 35917....
35917	20640	Tape Holder (10 in. disc) complete, Nos. 288D, 793D, 35909, 35911, 35912, 35914 to 35916 and three wood screws 1 in. No. 10.....
36305	-----	Binder (transverse) 120326 with 36306 and two 1443F.....
36306	20634	Binder Bracket with two 194D, for 36305, 36498, 120358 and 120850.....
36307	20634	Binder Bracket Lock Spring.....
36308	20634	" " Plate.....
36498	-----	Binder (transverse) 121756 with 36306 and two 1443F, for neck binding, for selvage edge material.....

No.	Plate	Name
36596	20634	Binder Edge Guide.....
37563	-----	Knee Lifter Chain, length 15 in. with 56864 and 56865.....
38210	20629	Thread (under) Nipper Spring (lower)....
38211	20629	" " " " (upper)....
38284	20629	" " Eyelet (front).....
38416	20624	Cloth Plate Slide (large) Spring (right) for 54307.....
38419	20624	Cloth Plate Slide (small) Spring for 54013.....
38456	20628	Needle Bar Bushing (lower).....
38456	20628	Presser Bar Bushing (upper).....
38467	20625	" " Spring (flat).....
38468	20625	" " Stud.....
38475	20623	Thread (under) Take-up with 465C.....
38478	20629	" " Staple with two each 590J and 38481.....
38481	20629	Thread (under) Take-up Staple Thread Guard for 38478.....
38482	20629	Thread (under) Take-up Stripper.....
38484	20630	" (upper) Eyelet.....
38487	20632	Threading Wire (Accessories).....
40326	20627	Looper Driving Shaft and Feed Lifting Eccentric Oil Pad (braided cotton)..
42290	20626	Feed (front) Connecting Rod Hinge Screw Nut Washer.....
42366	20622	Arm Oil Pad (braided cotton) for oiling Arm Rock Shaft Front Bearing.....
46041	20629	Thread (under) Take-up Staple Spring....
46105	20631	Looper Needle Guard Pin for 52661.....
46111	20625	Face Plate Pin.....
46247	20629	Thread (under) Nipper Spring (upper) Stop.....
46432	20624	Cloth Plate Bracket.....
46434	20624	" " Slide (large) Spring (left) for 54307.....
46443	20631	Feed (front) Dog, 12 teeth (16 teeth to the inch) for 54364.....
46455	20631	Presser Foot Plate for 46457.....
46456	20631	" " Shank for 46457.....
46457	20631	Presser Foot (hinged) complete, Nos. 26276, 46455 and 46456.....
49013	20623	Arm Rotary Shaft Front Bearing Oil Pad (braided cotton).....
49013	20627	Looper Carrier Connection Shaft Oil Pad (braided cotton).....
49092	20624	Cloth Plate Oil Tube Packing (felt) for 54309.....
49092	20625	Oil Tube Packing (felt) for 54110.....
50004B	20634	Binder Edge Guide Screw.....

No.	Plate	Name
50083C	20623	Arm Rock Shaft Crank (back) Set Screw .. for 131072.....
50083C	20623	Feed (front) Lifting Rock Shaft Crank (back) Set Screw for 54314.....
50084C	20623	Arm Rotary Shaft Bushing (intermediate) Set Screw (short).....
50150C	20630	Slack Thread Regulator Set Screw for 54042.....
50200C	20623	Feed (front) Lifting Rock Shaft Crank (back) Position Screw for 54314.....
50326C	20629	Tension (under thread) Screw Stud for 59539.....
50326C	20630	Tension (upper thread) Screw Stud for 59539.....
50429C	20626	Feed (back) Dog Stop Screw for 54019....
50473F	20624	Cloth Plate Screw (right).....
50571D	20623	Feed (front) Lifting Rock Shaft Crank (back) Adjusting Screw for 54314....
51061C	20623	Feed Eccentric Body Set Screw for 54025..
51224W	20625	Arm Side Cover (back) Thumb Screw.....
51224W	20625	" " (front) Thumb Screw.....
51224W	20634	Binder Bracket Lock Spring Thumb Screw..
51224W	20625	Face Plate Thumb Screw.....
51283C	20623	Balance Wheel Set Screw for 64259.....
51570C	20629	Tension (under thread) Regulating Thumb Nut for 59539.....
51570C	20630	Tension (upper thread) Regulating Thumb Nut for 59539.....
51576E	20638	Machine Base Screw Stud Nut for 131320 and 131327.....
52045	20622	Arm Oil Tube Packing (wick) for 56003..
52045	20622	Arm Rock Shaft Bushing Oil Pad (wick)...
52045	20622	" " Flanged Bushing (front) Oil Pad (wick).....
52661	20631	Looper Needle Guard with 46105 for 53203
53202	20631	Looper for 53203.....
53203	20631	" 53202 with 229J and 52661.....
53216	20624	Cloth Plate Slide (large) Steady Plate for 54308.....
53225	20629	Thread (under) Eyelet (back).....
54002	20622	Arm Rock Shaft for 54079.....
54004	20622	" " Collar with two 453C, for 54079.....
54007	20623	Arm Rotary Shaft Bushing (intermediate) for 54089.....
54009	20623	Arm Rotary Shaft Flanged Bushing for 54090.....
54010	20625	Arm Side Cover (front).....
54012	20624	Cloth Plate Slide (small) for 54013.....

NUMERICAL LIST OF PARTS

No.	Plate	Name
54013	-----	Cloth Plate Slide (small) complete for 54308, Nos. 38419, 54012 and two 725J
54017	20623	Crank Connecting Rod with 6575, 54218, 68350 and two each 896E and 1057E, for 131344.....
54019	20626	Feed (back) Bar with 50429C and two 453C
54020	20627	" " " Connection.....
54023	20626	" " Connecting Rod Hinge Pin....
54025	20623	" Eccentric (adjustable) complete for 54113, Nos. 1103C and two each 217J, 7071 and 51061C.....
54026	20626	Feed Rocking Frame with two 453C.....
54027	20627	Looper Carrier with two 175E, for 54383.
*54034	-----	Looper Driving Shaft and Feed Lifting Eccentric Bracket with 761E, for 54304.....
54035	20627	Looper Holder with 1120C.....
54036	20628	Needle Bar (hollow) with 857C.....
54038	20631	" Guard Holder.....
54039	20628	Presser Bar Guide Bracket with 453C, 640J and 1963.....
54041	20630	Slack Thread Regulator.....
54042	20630	" " " Holder with 175E and two 50150C.....
54043	20630	Slack Thread Regulator Holder Shaft....
54044	20630	" " " " Crank (forked) with 1253C.....
54045	20630	Tension (upper thread) Bracket.....
54046	20630	" " " Releasing Shaft..
54047	20630	" " " " "
54048	20630	Tension (upper thread) Releasing Shaft Crank Link.....
54049	20629	Thread (under) Take-up Staple Bracket with 460C.....
54051	20630	Thread (upper) Take-up.....
54079	-----	Arm Rock Shaft 54002 with 54004 and 64255.....
54080	20627	Looper Driving Shaft and Feed Lifting Eccentric Bracket Bushing.....
54089	-----	Arm Rotary Shaft Bushing (intermediate) 54007 with 64508 and 64805.....
54090	-----	Arm Rotary Shaft Flanged Bushing 54009 with 58039 and 64805.....
54105	20622	Arm Rock Shaft Flanged Bushing (front)..
54108	20625	Oil Tube for 54110.....
54109	20625	" " Bracket for 54110.....
54110	20625	Oil Tube complete for oiling Crank Connecting Rod (upper bearing) Nos. 49092, 54108 and 54109.....
54111	20623	Feed (back) Connecting Rod with 1057E and two 896E, for 54113.....

No.	Plate	Name
54113	-----	Feed (back) Connecting Rod 54111 with 54025, for 54385.....
54218	20623	Crank Connecting Rod Oil Pad (braided cotton) for 54017.....
54227	20627	Looper Carrier Connection for 54383.....
54228	20627	" " " Shaft for 54383
54229	20627	" " " " Bushing..
54230	20627	" " Driver with four 175E, for 54383.....
54242	20630	Slack Thread Controller Clamp.....
*54304	-----	Arm, upper and lower (solid) with 948J, 15404, 54034 and two 15405.....
54305	20624	Cloth Plate for 54308.....
54306	20624	" " Slide (large) for 54307.....
54307	-----	Cloth Plate Slide (large) complete for 54308, Nos. 38416, 46434, 54306 and four 725J.....
54308	20624	Cloth Plate complete, Nos. 53216, 54013, 54305, 54307, 54309 and two 1443B...
54309	20624	Cloth Plate Oil Tube with 49092, for 54308.....
54310	20626	Feed (back) Bar Hinge Pin (eccentric)...
54311	20626	" (front) Bar.....
54312	20626	" " Connecting Rod.....
54313	20623	" " Lifting Rock Shaft.....
54314	20623	" " " " Crank (back) forked with 50083C, 50200C and 50571D.....
54315	20623	Feed (front) Lifting Rock Shaft Crank (back) Slide Block (two pieces)....
54316	20623	Feed (front) Lifting Rock Shaft Crank (front) with two 1057D.....
54317	20623	Feed (front) Lifting Rock Shaft Eccentric with two 448C, for 54385.....
54318	20631	Needle Guard.....
54326	20628	" Bar Connecting Link for 54329....
54327	20628	" " " " Hinge Stud for 54329.....
54328	20628	Needle Bar Connecting Stud with 211F and two 187E, for 54329.....
54329	-----	Needle Bar Connecting Link 54326 with 54327 and 54328.....
54330	20630	Thread (upper) Controller.....
54359	20623	Arm Rotary Shaft for 54385.....
54363	20631	Feed (back) Dog, 8 teeth (16 teeth to the inch) for 54364.....
54364	20631	Throat Plate for 46443 and 54363.....
54367	20623	Arm Rotary Shaft Bushing (front).....
*54368	20627	Looper Driving Shaft and Feed Lifting Eccentric with 227E and two 64315, for 54383.....

NUMERICAL LIST OF PARTS

No.	Plate	Name
54381	20630	Slack Thread Controller.....
*54383	-----	Looper Driving Shaft and Feed Lifting Eccentric 54368 with 54027, 54227, 54228 and 54230, for 54385.....
54385	-----	Arm Rotary Shaft 54359 with 640F, 54113, 54317, 54383, 54450, 64351, 64355 and 131344.....
54450	20623	Arm Rotary Shaft Collar with two 1258C, for 54385.....
54477	20638	Machine Base Screw Stud for 131320 and 131327.....
54988	20630	Tension (upper thread) Releasing Pin....
54990	20630	" " " " Shaft Spring.....
56003	20622	Arm Oil Tube with 52045, for oiling Needle Bar Connecting Link.....
56006	20622	Arm Oil Pad (braided cotton) for oiling Arm Rock Shaft Intermediate Bearing....
56864	20632	Chain Hook (large) for 6439 and 37563...
56865	20632	" " (small) for 6439 and 37563...
57234	20626	Feed Rocking Frame Hinge Pin.....
57235	20626	" " " " " Bushing....
57257	20628	Presser Bar Lifter.....
57258	20628	" " " " Hinge Stud.....
58039	20623	Arm Rotary Shaft Flanged Bushing Oil Pad, long (braided cotton) for 54090.....
59537	20629	Tension (under thread) Spring Bushing (large).....
59537	20630	Tension (upper thread) Spring Bushing (large).....
59538	20629	Tension (under thread) Spring Bushing (small).....
59538	20630	Tension (upper thread) Spring Bushing (small).....
59539	-----	Tension (under thread) Screw Stud 50326C with 51570C.....
59539	-----	Tension (upper thread) Screw Stud 50326C with 51570C.....
61C47	20628	Presser Bar Lifting Bracket with 460C and 1872.....
61075	20625	Presser Bar Lifting Lever Connecting Pin
64255	20622	Arm Rock Shaft Crank (front) with 453C, for 54079.....
64259	20623	Balance Wheel, 2 in. diam. pulley with two 51283C.....
64269	20625	Face Plate.....
64315	-----	Looper Driving Shaft and Feed Lifting Eccentric Oil Hole Plug for 54368...
64320	20628	Needle Bar Bushing (upper).....
64330	20628	Presser Bar with 25303.....

NUMERICAL LIST OF PARTS

No.	Plate	Name
64331	20628	Presser Bar Bushing (lower).....
64351	20623	Thread (under) Nipper Cam with 465C, for 54385.....
64355	20623	Thread (under) Take-up Thread Guard (brass) for 54385.....
64356	20629	Thread (under) Take-up Thread Guard Steady Pin.....
64386	20622	Arm Rock Shaft Bushing (back).....
64388	20622	" " " " (intermediate)...
64508	20623	" Rotary Shaft Bushing (intermediate) Oil Pad, long (braided cotton) for 54089.....
64805	20623	Arm Rotary Shaft Bushing (intermediate) Oil Pad, short (braided cotton) for 54089.....
64805	20623	Arm Rotary Shaft Flanged Bushing Oil Pad, short (braided cotton) for 54090....
68184	20625	Presser Bar Lifting Lever Extension....
68208	20625	" " " " Lever.....
68222	20633	Belt Guard with two wood screws 1 in. No. 12.....
68350	20623	Crank Connecting Rod Oil Cup for 54017..
120279	20634	Feed (back) Dog, 13 teeth (16 teeth to the inch) for 36305, 36498, 120358 and 120850, for 120280.....
120280	20634	Throat Plate for 120279.....
120326	20634	Binder (transverse) for 36305.....
120341	20632	Tweezers (curved) Accessories.....
120344	20632	Oiler (copper plated) with 120345 (Ac- cessories).....
120345	20632	Oiler Spout, 4 1/2 in. long for 120344..
120355	20636	Binder (transverse) for binding with coarse dressing with 120356, 120357 and four 665J, for 120358.....
120356	20636	Binder Hook (lower) for 120355.....
120357	20636	" " (upper) for 120355.....
120358	-----	" (transverse) 120355 with 36306 and two 1443F.....
120440	20632	Screw Driver (large) Accessories.....
120849	20637	Binder (transverse) for knit material for necking underwear for 120850....
120850	-----	Binder (transverse) 120849 with 36306 and two 1443F.....
121108	20632	Screw Driver (small) Accessories.....
121756	20635	Binder (transverse) for 36498.....
126249	20633	Foot Lifter Treadle for 150452.....
126250	20633	" " " " Spring for 150452...
131019	20638	Machine Base Oil Pipe for 131320.....
131020	20638	" " " " Valve for 131320..
131072	20623	Arm Rock Shaft Crank (back) (ball bear- ing, solid) with two 50083C, for 131344.....

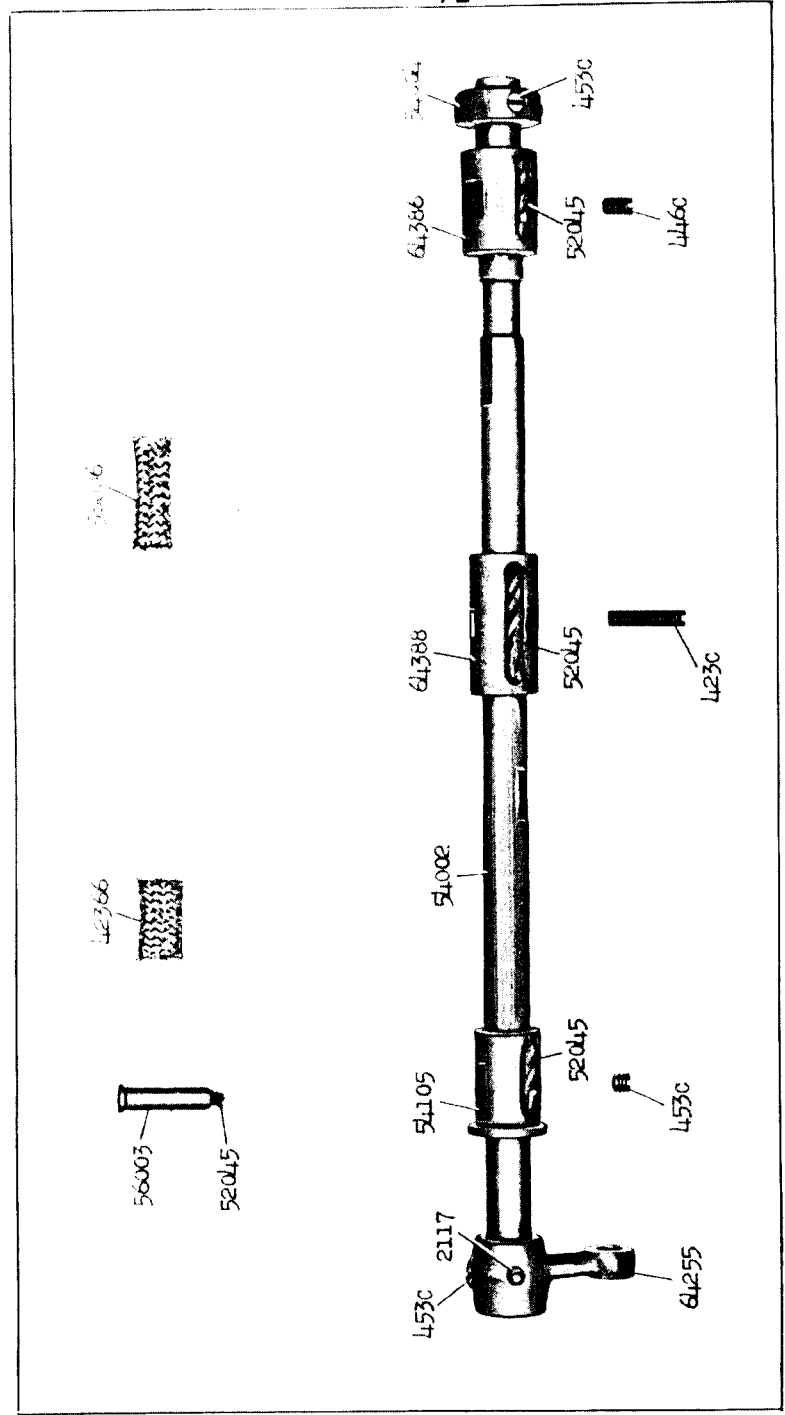
No.	Plate	Name
131185	20639	Machine Base Oil Drain Jar (glass) for 131268.....
131188	20639	Machine Base Oil Drain Jar Clamp for 131217.....
131189	20639	Machine Base Oil Drain Jar Clamp Lever for 131217.....
131191	20639	Machine Base Oil Drain Jar Cap for 131268.....
131217	-----	Machine Base Oil Drain Jar Clamp 131188 with 131189, for 131268.....
131265	20639	Machine Base Oil Drain Jar Nipple (long) for 131268.....
131266	20639	Machine Base Oil Drain Jar Nipple (short) for 131268.....
131267	20639	Machine Base Oil Drain Jar Nipple Elbow for 131268.....
131268	20639	Machine Base Oil Drain Jar (swinging type) complete for 131327, Nos. 131185,131191,131217,131266 and two each 1247C, 131265 and 131267.....
131279	20638	Machine Cushion (felt) for 131320 and 131327.....
131320	20638	Machine Base complete, Nos. 131019, 131020, 131340, three each 9842, 51576E, 54477 and four each 948E and 131279.....
131327	20639	Machine Base with Oil Drain Jar (swinging type) complete, Nos. 131268, 131340, three each 9842,51576E,54477 and four each 948E and 131279.....
131340	20638	Machine Base for 131320 and 131327.....
131344	-----	Crank Connecting Rod 54017 with 131072, for 54385.....
131696	20629	Tension (under thread) Thread Guide (double).....
131696	20630	Tension (upper thread) Thread Guide (double).....
131740	20629	Tension (under thread) Spring.....
131741	20630	" (upper thread) Spring.....
140219C	20633	Rock Shaft Stop Dog Set Screw for 2770..
150203	22248	Thread Unwinder Spool Rest Cushion (felt) for 225258.....
150451	20633	Foot Lifter Treadle Stand for 150452....
150452	20633	Foot Lifter Treadle complete, Nos. 4879, 4832, 126249, 126250, 150451 and two wood screws 1 in. No. 16 F.H.....
200383C	22248	Thread Unwinder Spool Rest Rod Set Screw for 202490.....
201018C	22248	Thread Unwinder Spool Rest Set Screw for 225257.....

No.	Plate	Name
201696J	22248	Thread Unwinder Thread Guide Lock Nut for 225258.....
202490	22248	Thread Unwinder Spool Stand with 200383C, for 225258.....
225257	22248	Thread Unwinder Spool Rest with 201018C, for 225258.....
225258	22248	Thread Unwinder complete for two spools or two large cones of thread, Nos. 201696J,202490,225257,225324,225326, 225388, two each 150203, 225391 and three wood screws 7/8 in. No. 12....
225322	22248	Thread Unwinder Thread Guide Rod Screw Washer for 225324.....
225324	22248	Thread Unwinder Thread Guide Rod with 208E and 225322, for 225258.....
225326	22248	Thread Unwinder Thread Guide Position Cup for 225258.....
225388	22248	Thread Unwinder Spool Rest Rod for 225258.....
225390	22248	Thread Unwinder Thread Cone Holder for inverted cones, for 225258.....
225391	22248	Thread Unwinder Thread Guide for 225258.

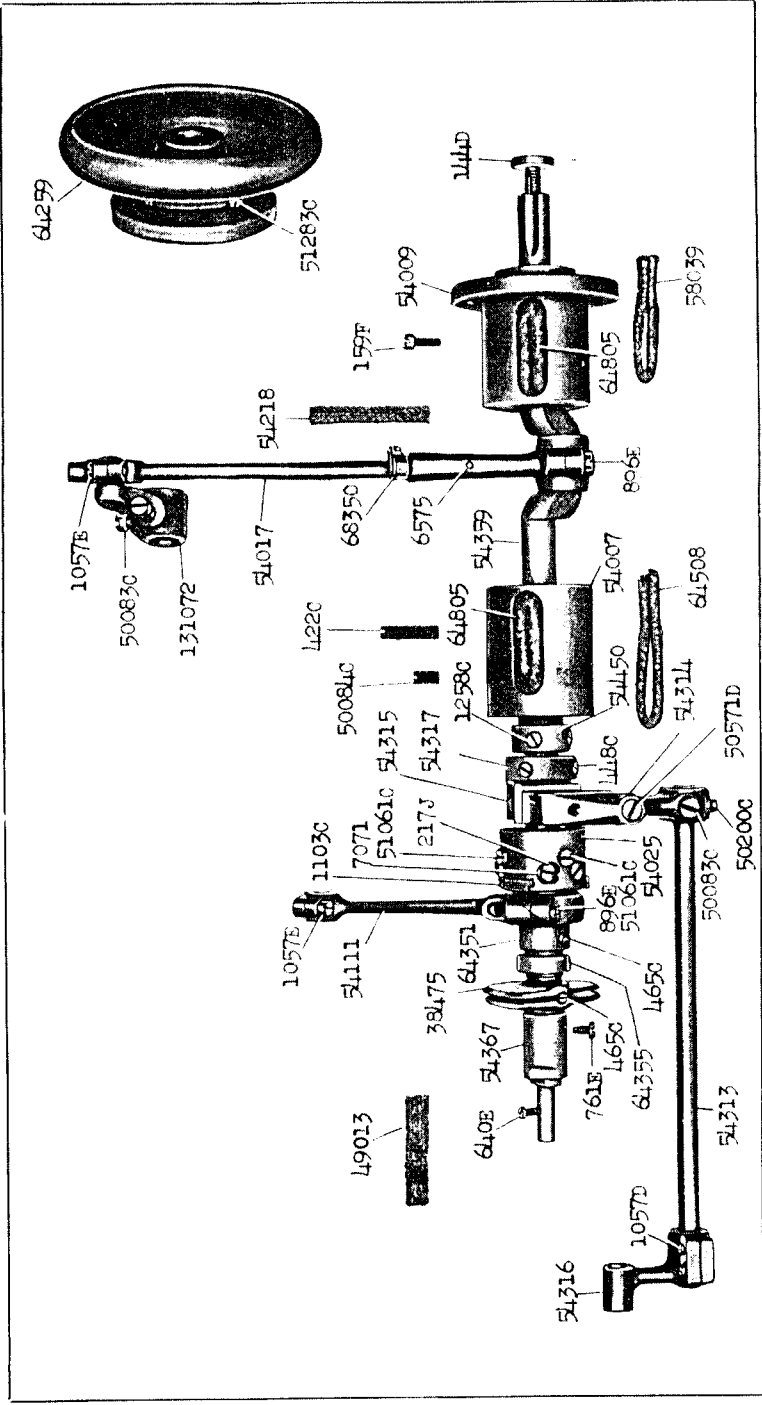
Genuine Singer Needles should be used in Singer Machines. These Needles and their Containers are marked with the Company's Trade Mark "SIMANCO." 1

Needles in Containers marked "For Singer Machines" are not Singer made needles. 2

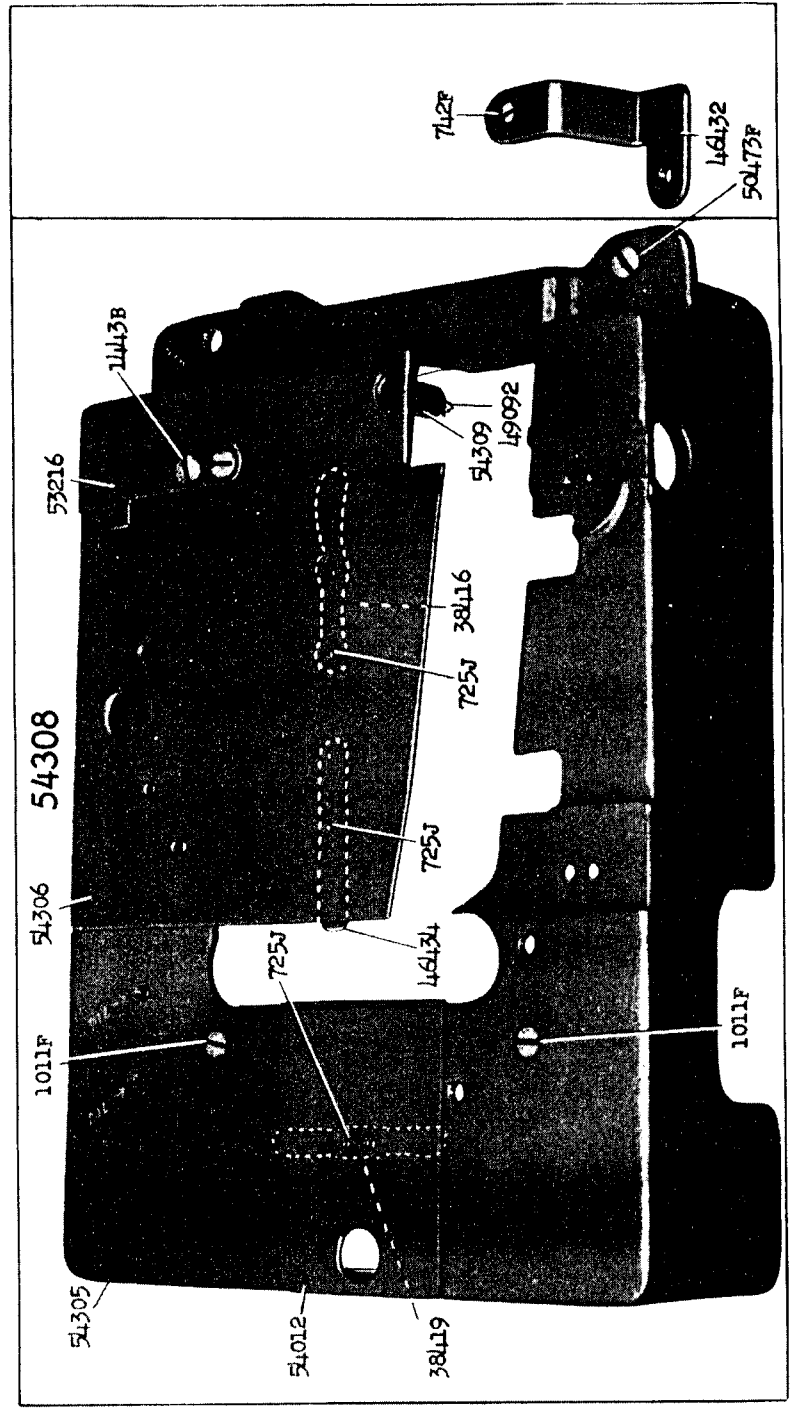
ILLUSTRATIONS
OF
PARTS



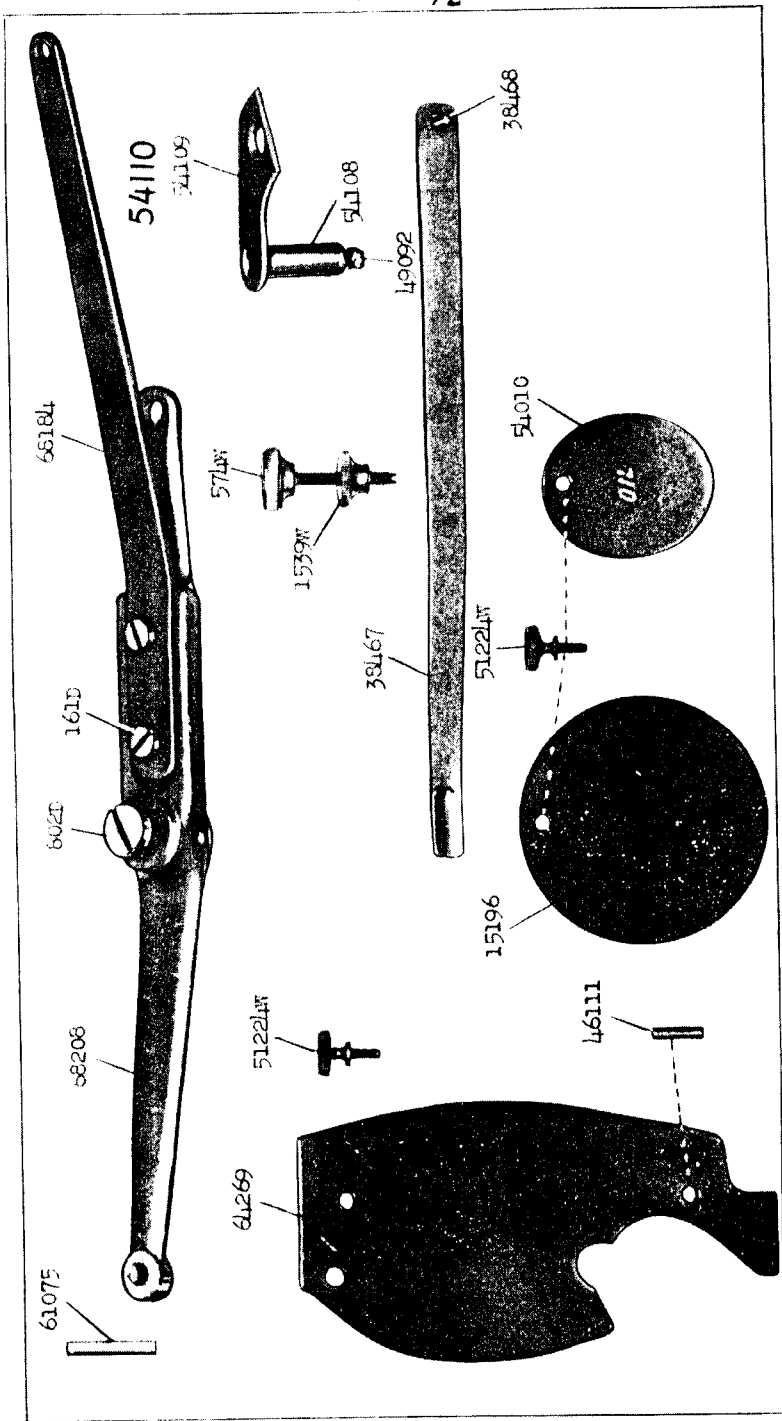
20623 - 1/3



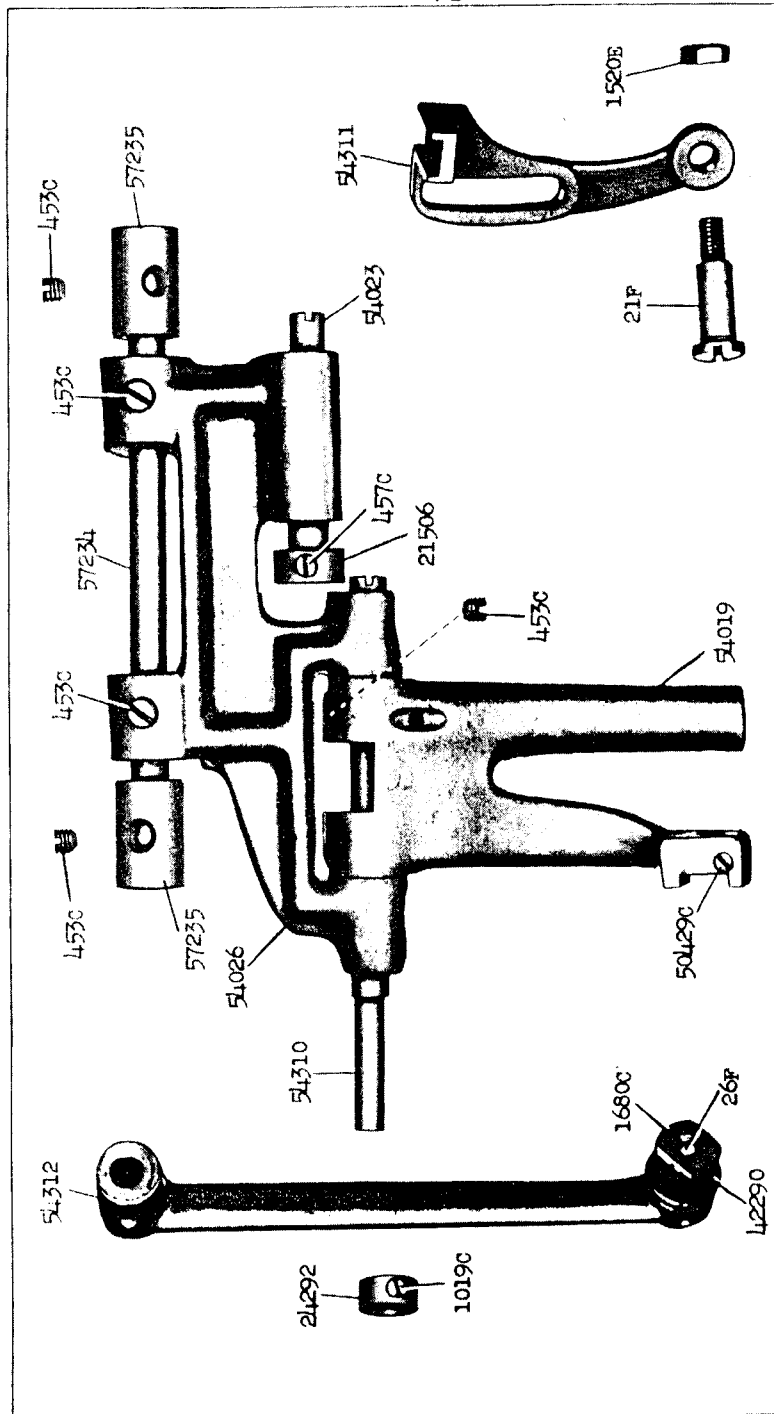
20624 - 1/2



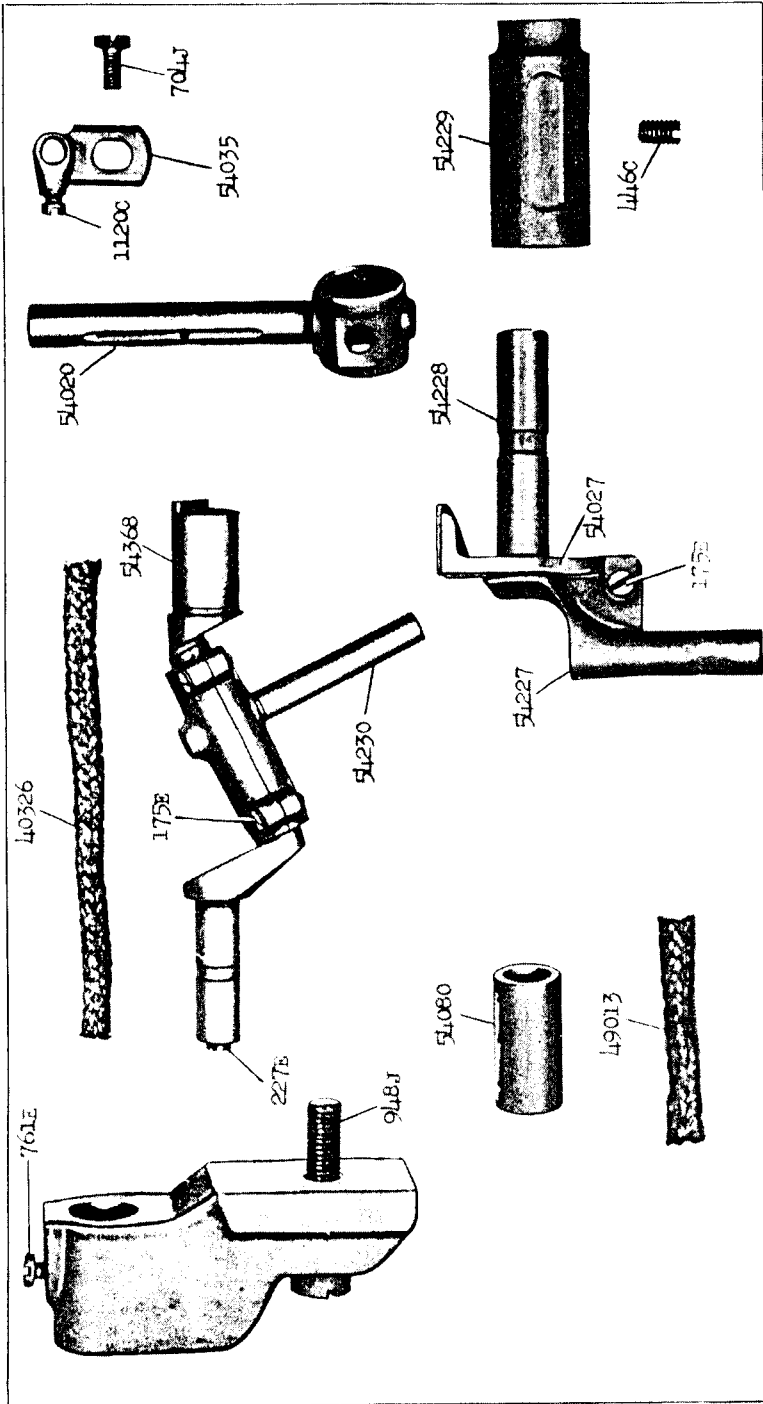
20625 - 1/2



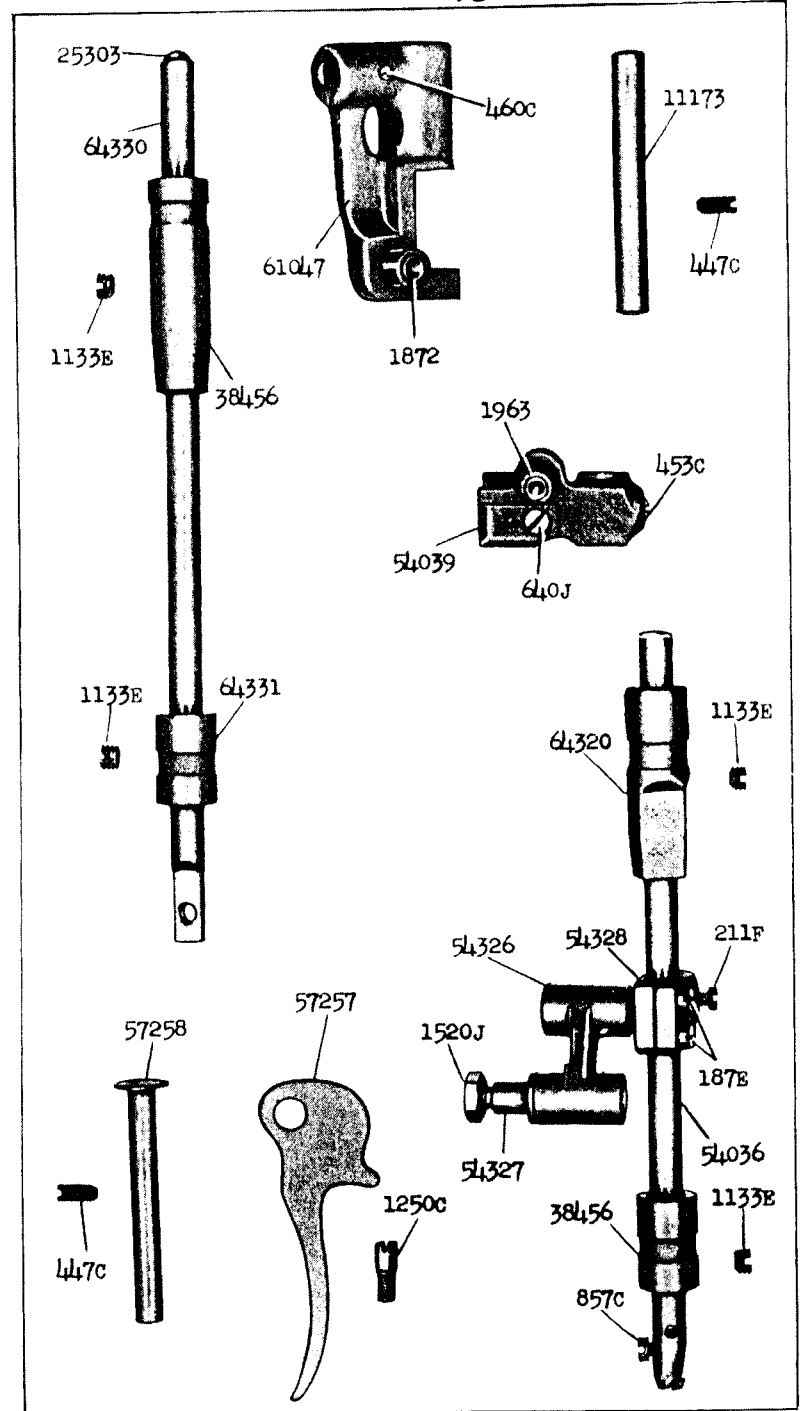
20626 - 2/3

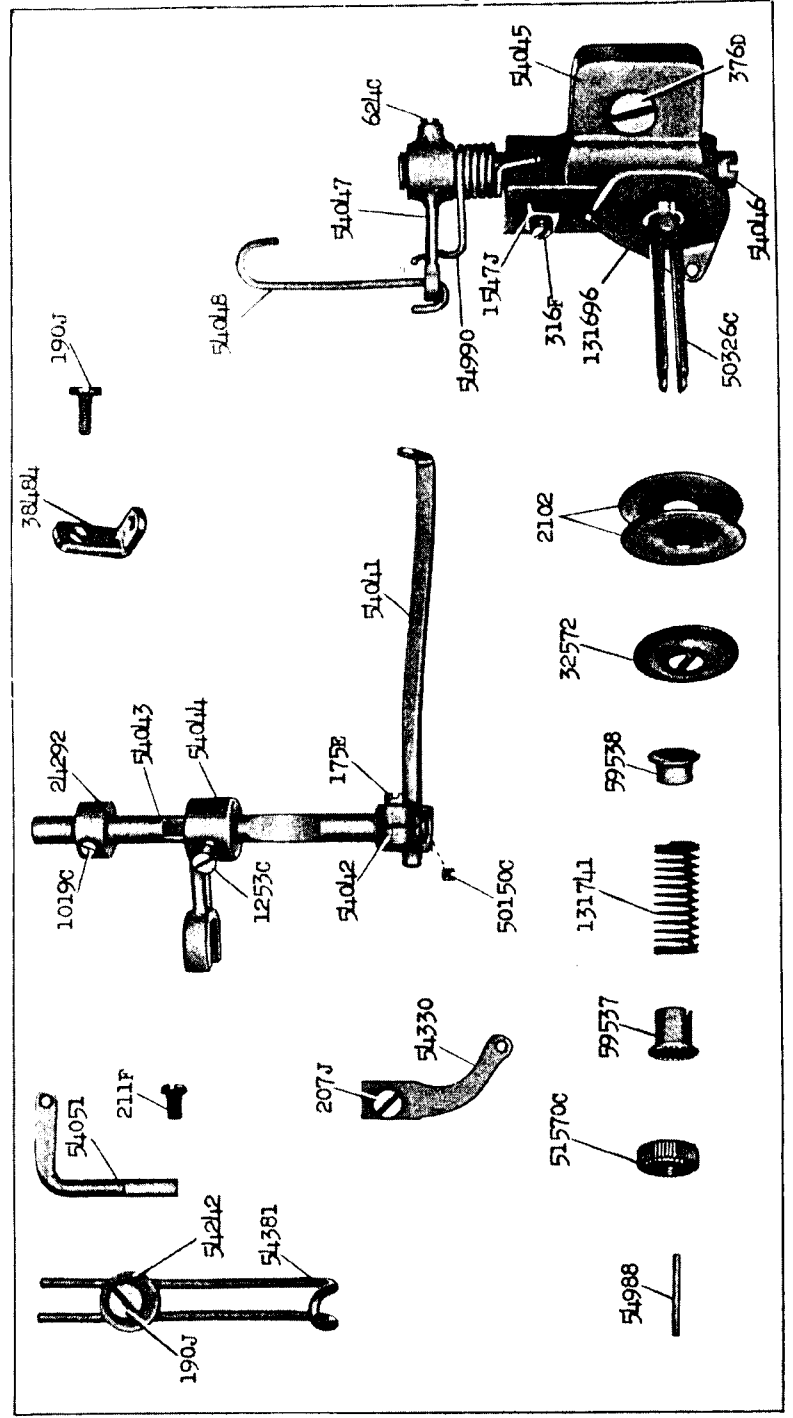
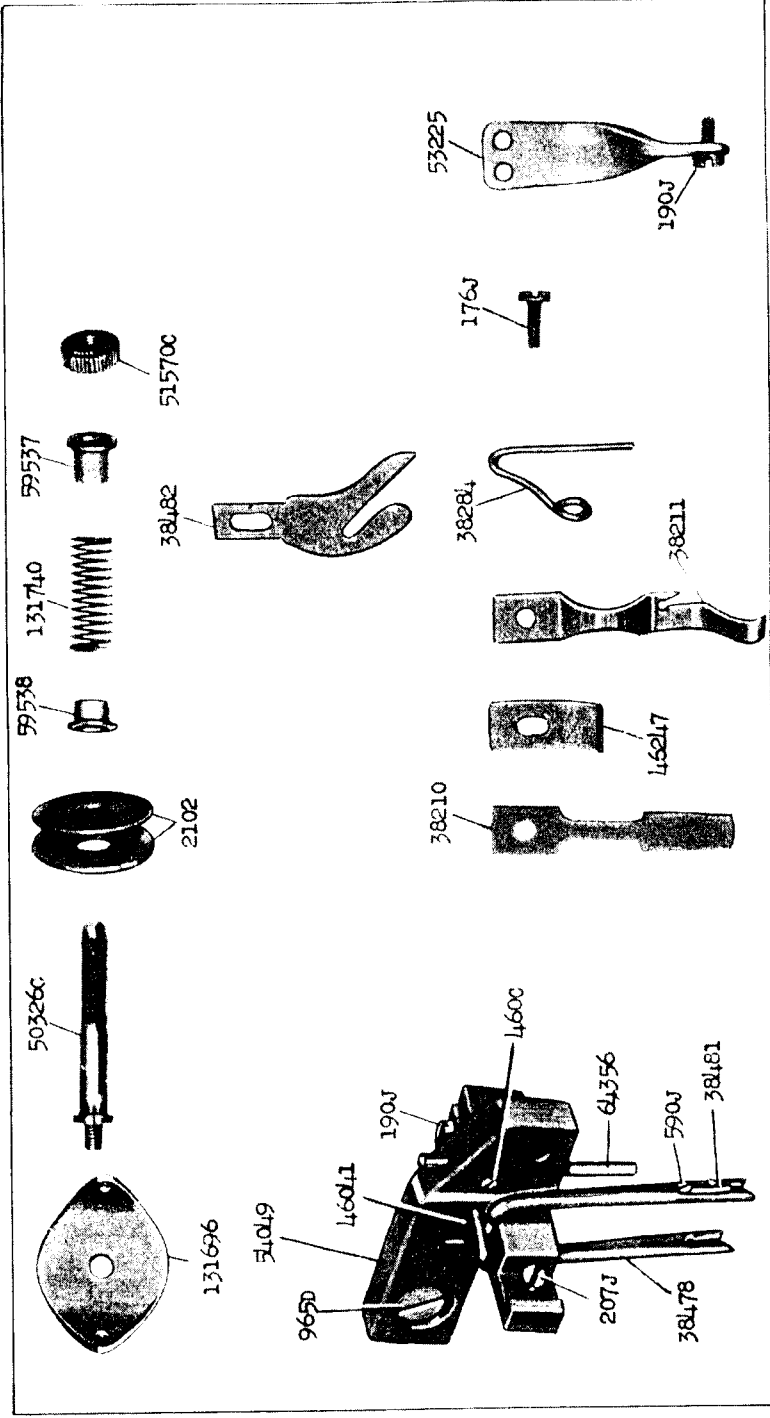


20627 - 2/3

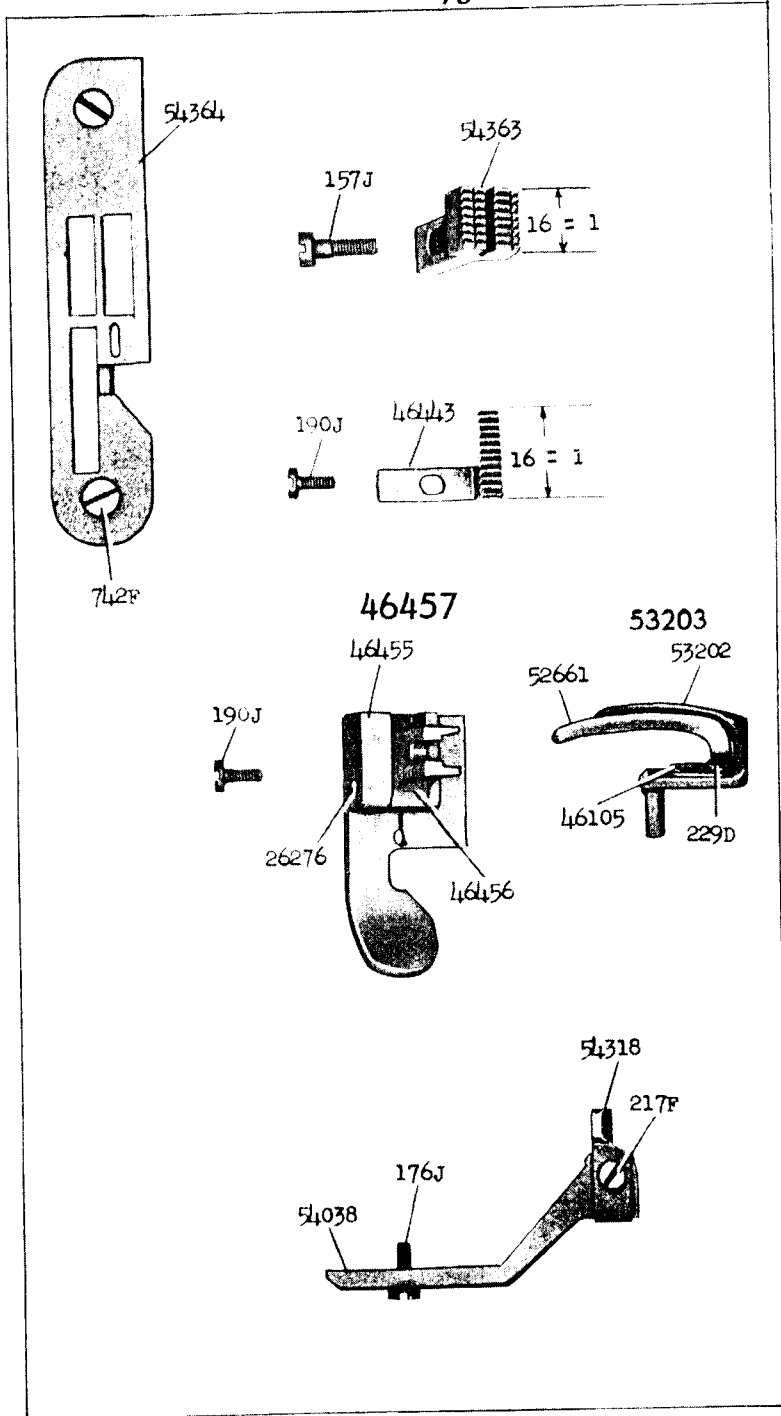


20628 - 2/3

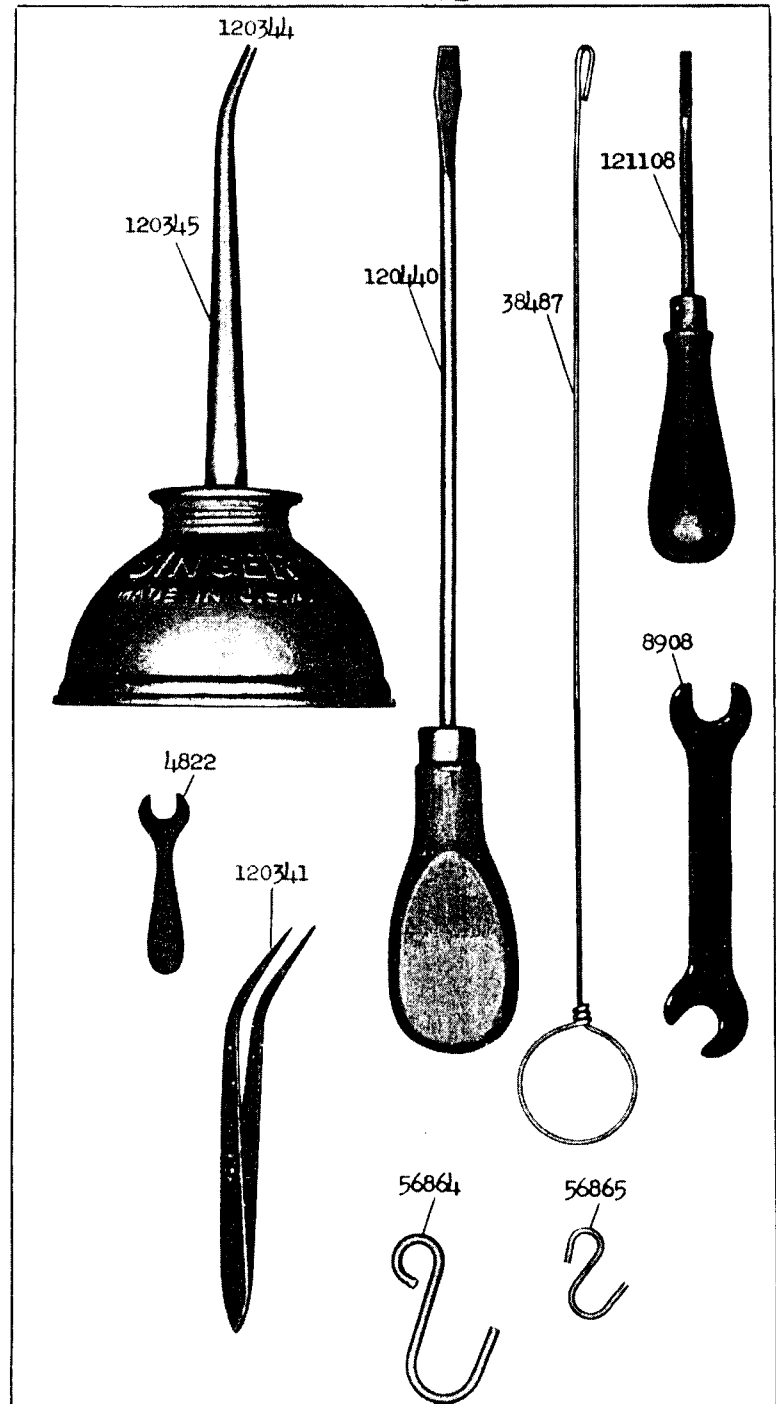




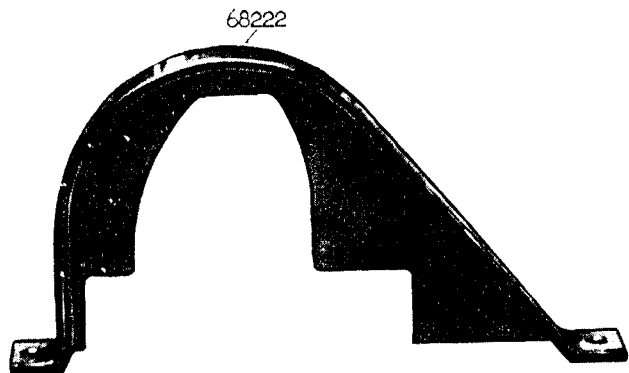
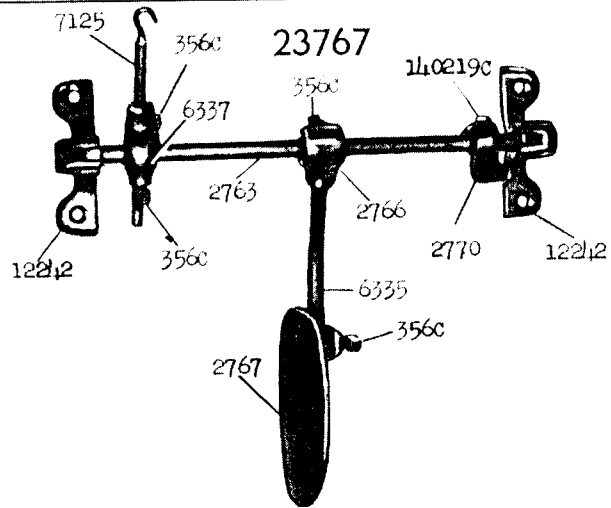
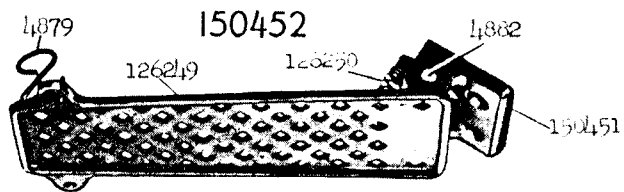
20631 - 2/3



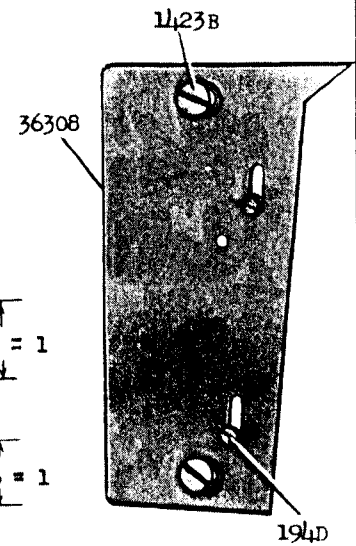
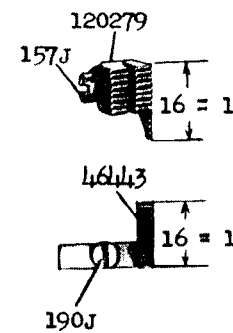
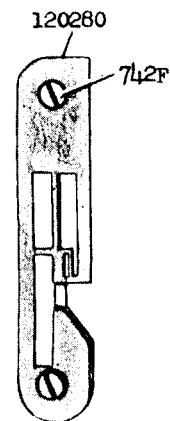
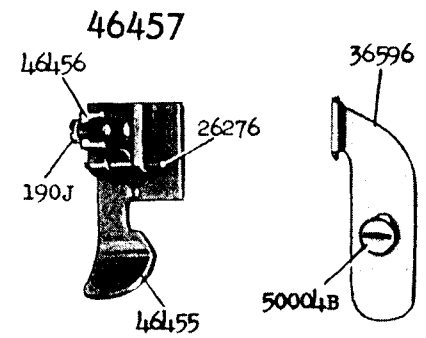
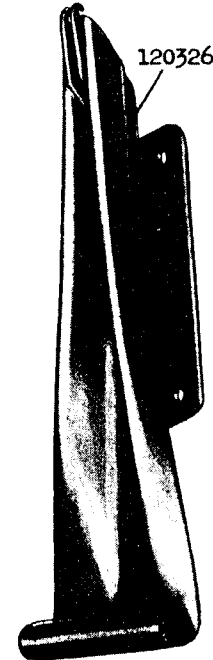
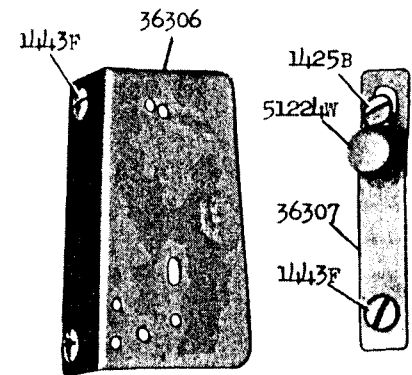
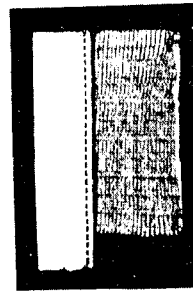
20632 - 1/2



20633 - 1/4

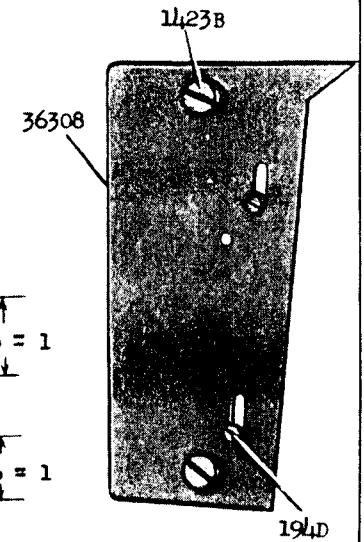
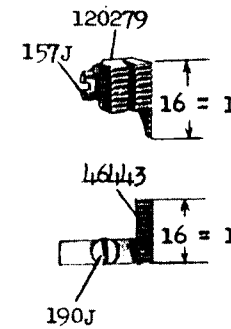
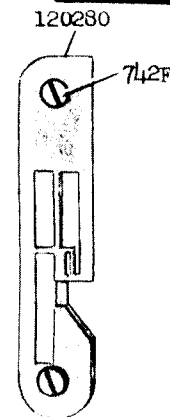
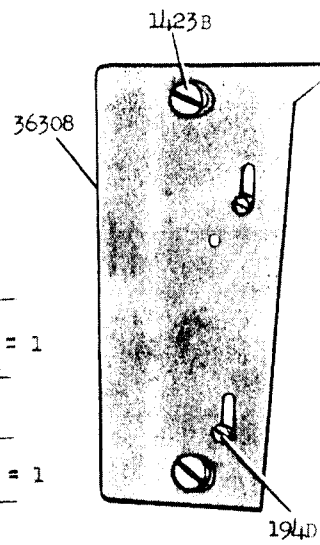
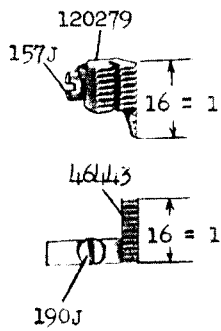
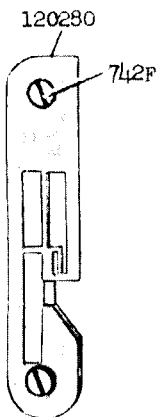
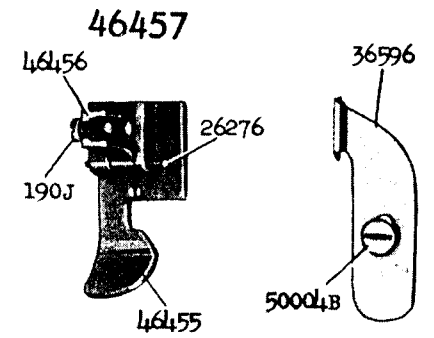
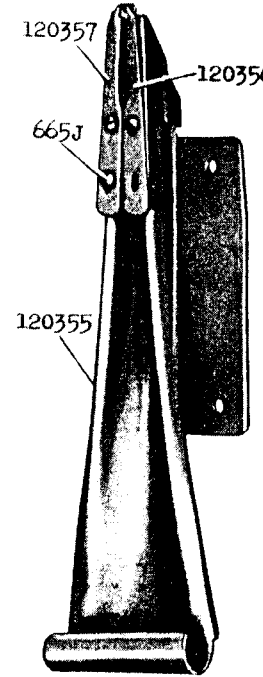
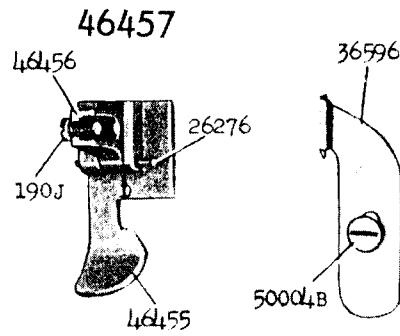
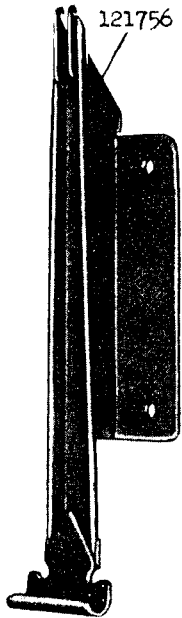
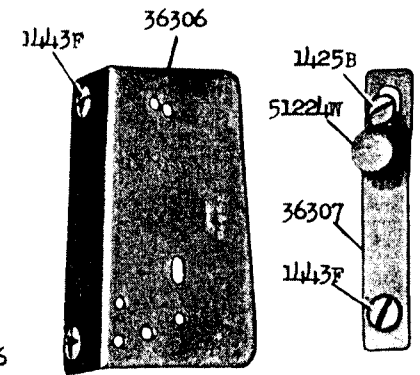
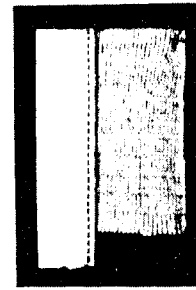
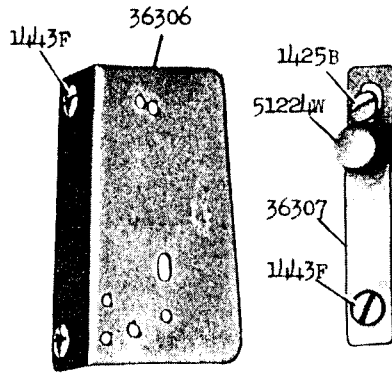
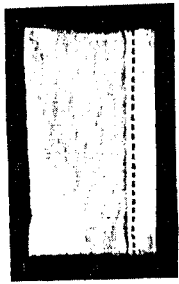


20634 - 1/2

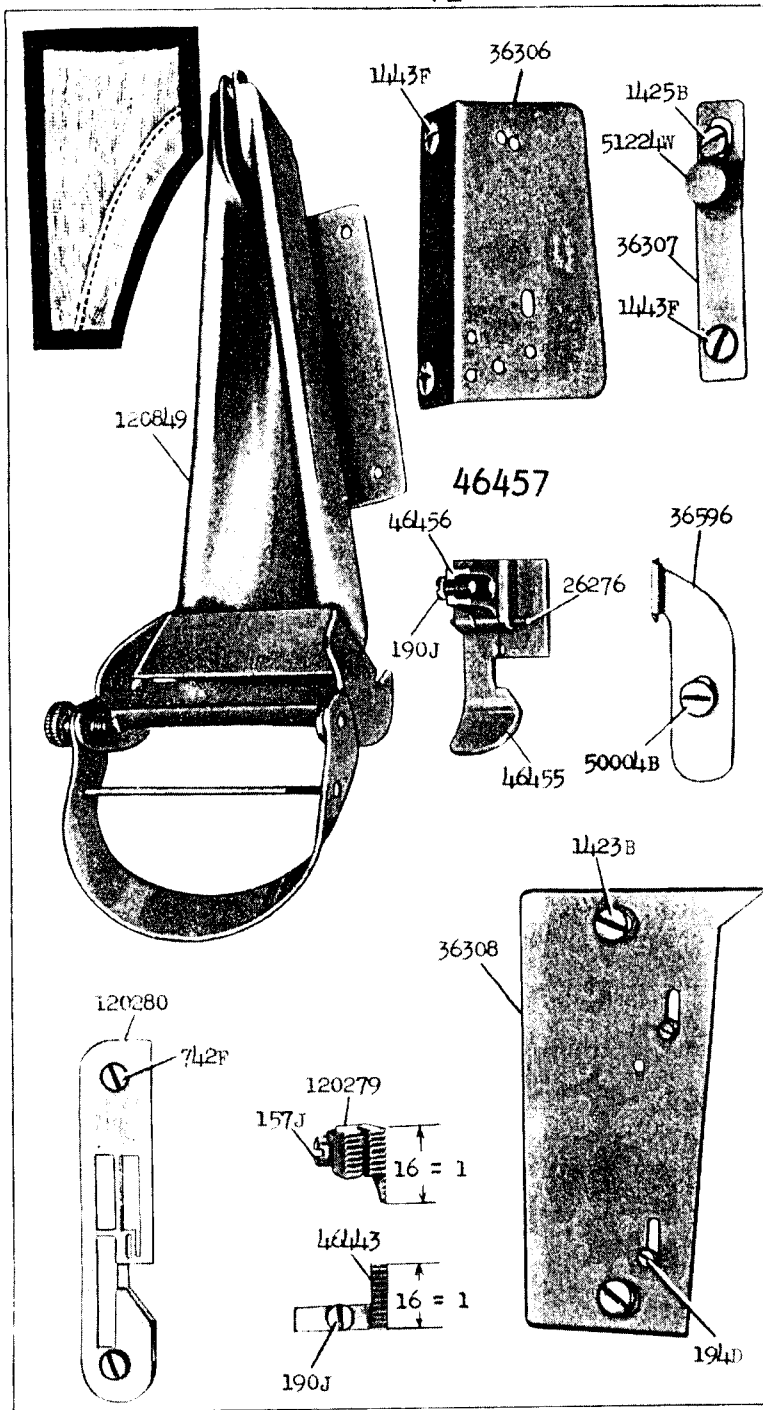


20635 - 1/2

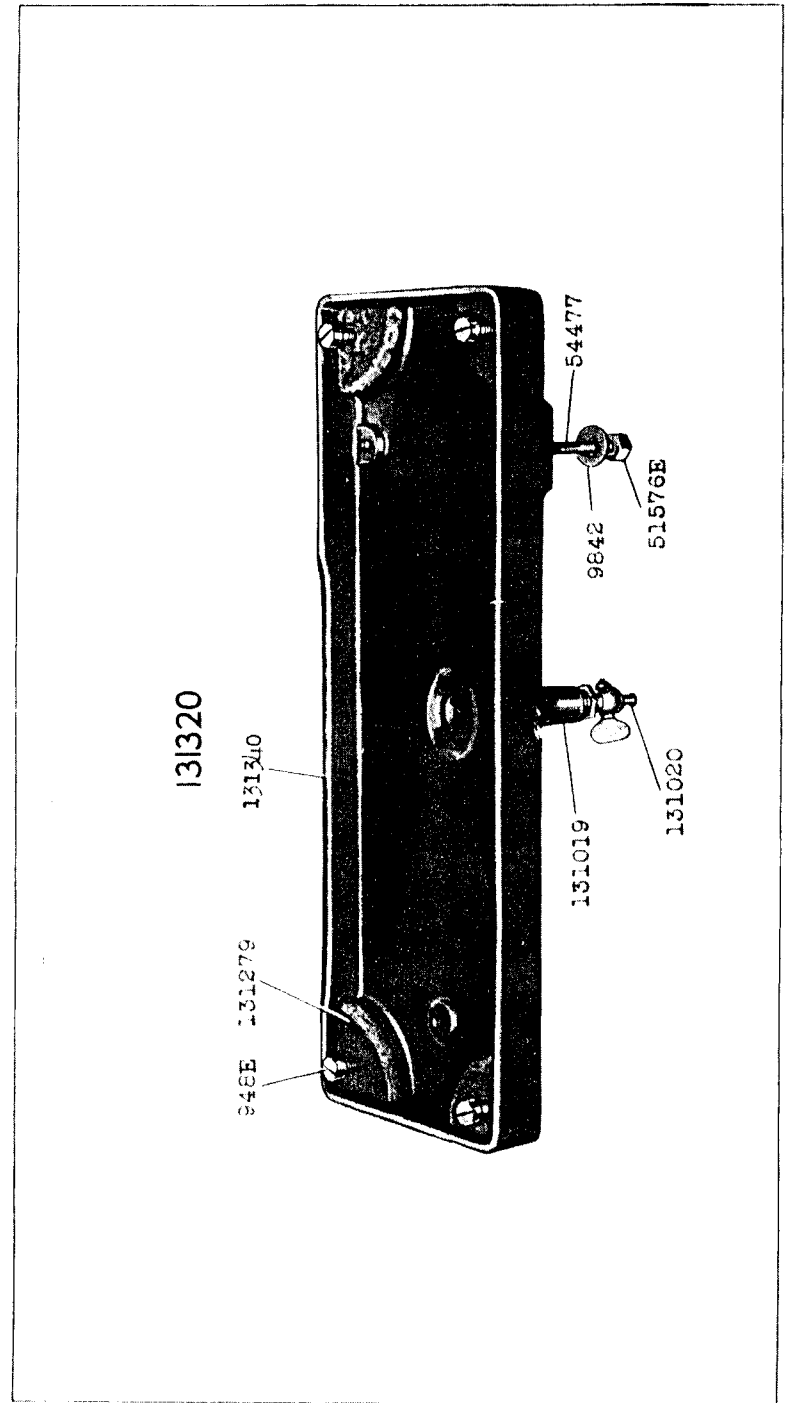
20636 - 1/2



20637 - 1/2



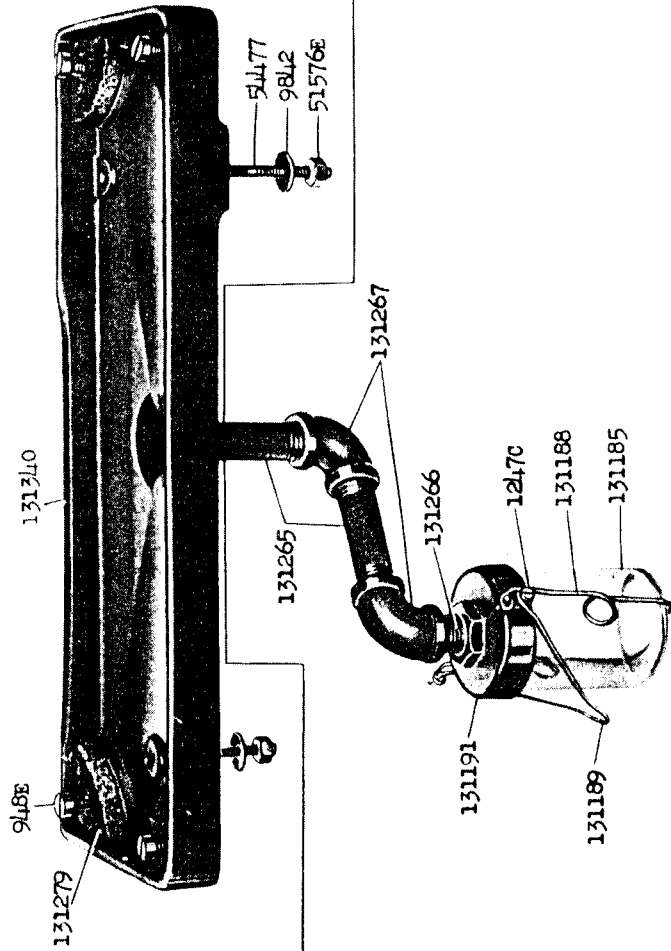
20638 - 1/4



20639 - 1/4

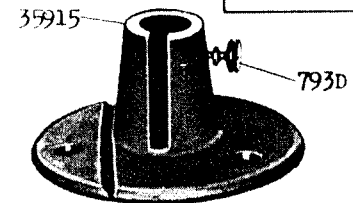
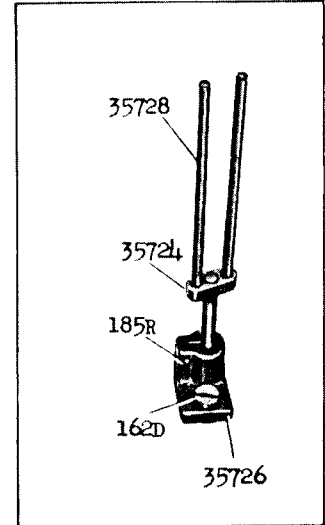
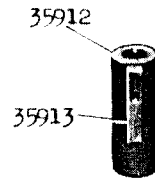
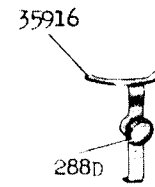
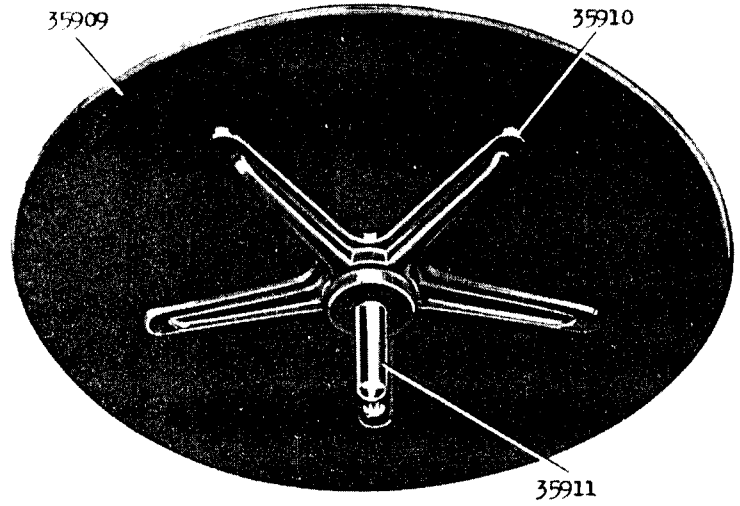
131327

131268



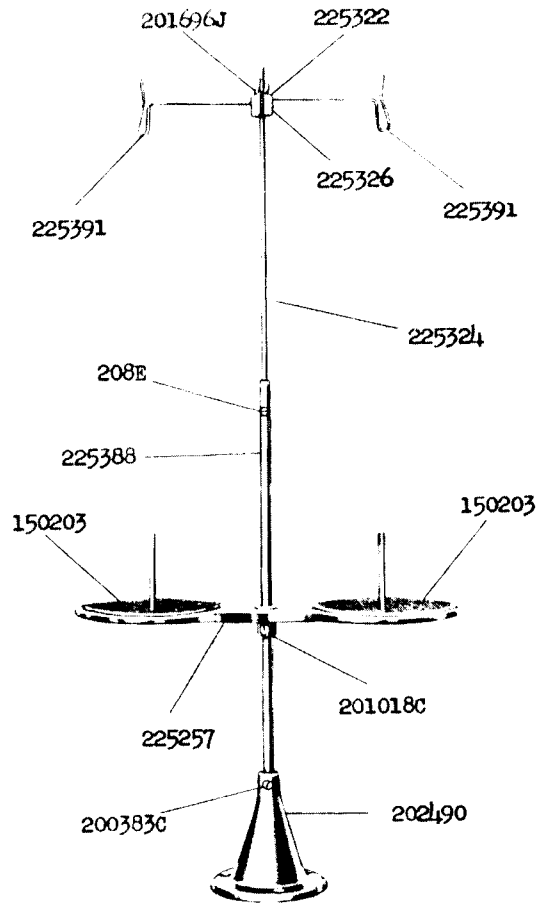
20640 - 1/4

35917



22248 - 1/6

225258



27739



225390

