

Singer 147-90

Singer 147-115

Form 20686
(154)
Printed in U.S.A.

**LIST
OF
PARTS**

**SINGER™
MACHINES
Nos. 147-90 and 147-115**

THE SINGER COMPANY

INDEX

	Page
Accessories	23
Belt Guard	23
Bench Stands	23
Foot Lifter Parts	24
Knee Lifter Parts	24
Machine Bases	24
Machine Base Oil Drain Jar	25
Machine No. 147-90	7
Machine No. 147-115	15
Numerical List of Parts	27
Thread Unwinders	25

Copyright, U. S. A., 1938, 1940, 1942, 1948, 1951 and 1954

by The Singer Company

All Rights Reserved for All Countries

J

INSTRUCTIONS FOR ORDERING

In ordering from this list, use ONLY the part NUMBER in the FIRST column.

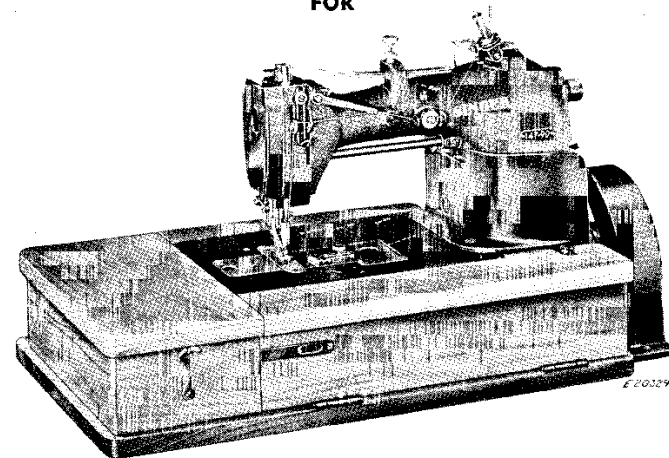
The number stamped on a Sewing Machine Part is in every case the number of the single part only.

Every combination of parts sent out as such has its specific number, which, although not stamped on the parts, must be used when ordering the combination.

Each number always indicates the SAME PART in whatever list it appears, or for whatever machine.

LIST OF PARTS COMPLETE

FOR



MACHINE No. 147-90

FOR CLOTH OR LEATHER. STITCHING GLOVES, CLOSING SHOES. BINDING LIGHT AND MEDIUM WEIGHT FABRICS, OR LEATHER. ONE NEEDLE, ONE LOOPER. INDEPENDENT UPPER AND UNDER FEEDS. ALTERNATING PRESSERS. LENGTH OF STITCHES 5 TO 20 TO THE INCH. NEEDLE BAR STROKE 1-5/16". SPEED 3000, DEPENDING ON MATERIALS USED AND OPERATIONS PERFORMED.

No.	Plate	Name
*131601	Arm, upper and lower (solid) with 51422J, 68483, and four 131022.....
68428	24469	Arm Bottom Cover.....
68429	24469	Arm Bottom Cover Gasket (cork).....
1057AL	24469	Arm Bottom Cover Screw (4).....
50608R	24469	Arm Hole Plug Screw, for access to Crank Connecting Rod (upper bearing).....
139017	24469	Arm Hole Plug Screw Washer.....
68350	20711	Arm Oil Cup, for oiling Arm Rock Shaft Front Bearing.....
131864	24470	Arm Oil Cup, for 131866.....
131865	24470	Arm Oil Cup Oil Gauge.....
131866	24470	Arm Oil Cup with Oil Gauge complete, for filling oil reservoir, Nos. 131864 and 131865.....
131319	20711	Arm Oil Cup Oil Pad for 68350.....
11119	20711	Arm Oil Tube with 52045, for oiling Thread (upper) Nipper.....
56003	20711	Arm Oil Tube with 52045, for oiling Feed (upper) Bell Crank Connection Sleeve.....
52045	20711	Arm Oil Tube Packing (wick) (2).....
131733	20711	Arm Rock Shaft and Front Crank with 853AL.....
131734	Arm Rock Shaft 131733 with 50391C, 131738 and two each 914J and 131695.....
1309C	20711	Arm Rock Shaft Adjusting Screw.....

No.	Plate	Name
131056	20711	Arm Rock Shaft Adjusting Screw Washer.....
68433	20711	Arm Rock Shaft Bushing (back).....
68435	20711	Arm Rock Shaft Bushing (back) Cap.....
131095	20711	Arm Rock Shaft Bushing (back) Cap Washer (fiber).....
446AL	20711	Arm Rock Shaft Bushing (back) Set Screw.....
68436	20711	Arm Rock Shaft Bushing (intermediate).....
423AL	20711	Arm Rock Shaft Bushing (intermediate) Set Screw.....
131486	24470	Arm Rock Shaft Crank (back) Ball Bearing solid, with two 51407AL.....
51407AL	24470	Arm Rock Shaft Crank (back) Set Screw (2).....
131456	20711	Arm Rock Shaft Flanged Bushing (front).....
453AL	20711	Arm Rock Shaft Flanged Bushing (front) Set Screw.....
42365	20711	Arm Rock Shaft Oil Pad for oiling Back Bearing.....
54969	20711	Arm Rock Shaft Oil Pad for oiling Intermediate Bearing.....
131487	24470	Arm Rotary Shaft.....
NOTE: When No. 131487 is required for repairs, the Looper Driving Shaft and Feed Lifting Eccentric must be returned to the factory to be adjusted to the new part.		
147508	Arm Rotary Shaft 131487 with 640E, 131502, 131617, 131931 and 147507.....
131366	24470	Arm Rotary Shaft Ball Bearing (back) (2).....
131478	24470	Arm Rotary Shaft Ball Bearing (back) Case.....
131479	Arm Rotary Shaft Ball Bearing (back) Case 131478 with 131369 and three 205C.....
131526	Arm Rotary Shaft Ball Bearing (back) Case with Ball Bearings complete, Nos. 131479, 131480 and two 131366.....
131369	24470	Arm Rotary Shaft Ball Bearing (back) Case Cap.....
205C	24470	Arm Rotary Shaft Ball Bearing (back) Case Cap Screw (3).....
131370	24470	Arm Rotary Shaft Ball Bearing (back) Case Position Stud (3).....
429C	24470	Arm Rotary Shaft Ball Bearing (back) Case Set Screw.....
131480	24470	Arm Rotary Shaft Ball Bearing (back) Spacing Collar.....
131366	24470	Arm Rotary Shaft Ball Bearing (intermediate).....
131481	24470	Arm Rotary Shaft Ball Bearing (intermediate) Case.....
1304C	24470	Arm Rotary Shaft Ball Bearing (intermediate) Case Set Screw.....
131482	24470	Arm Rotary Shaft Ball Bearing (intermediate) Collar with two 457AL.....
457AL	24470	Arm Rotary Shaft Ball Bearing (intermediate) Collar Set Screw (2).....
131457	24470	Arm Rotary Shaft Bushing (front).....
761E	24470	Arm Rotary Shaft Bushing (front) Set Screw.....
42367	24470	Arm Rotary Shaft Front Bearing Oil Pad (lower).....
54218	24470	Arm Rotary Shaft Front Bearing Oil Pad (upper).....
144D	24470	Arm Rotary Shaft Screw.....
131276	24469	Arm Side Cover (oil vent).....
131909	24469	Arm Side Cover Cap.....
131280	24469	Arm Side Cover Cap Position Pin.....
1289X	24469	Arm Side Cover Cap Screw.....
131910	24469	Arm Side Cover Cap Spring.....
131911	24469	Arm Side Cover (oil vent) complete, Nos. 1289X, 131276, 131280, 131909 and 131910.....
68448	24469	Arm Side Cover Gasket (victorite).....
1057AL	24469	Arm Side Cover Screw (4).....
131606	24471	Cloth Plate with 54309.....
54309	24471	Cloth Plate Oil Tube with 49092.....
49092	24471	Cloth Plate Oil Tube Packing (felt).....
68368	24471	Cloth Plate Slide (left).....
131050	24471	Cloth Plate Slide (left) Spring.....
665J	24471	Cloth Plate Slide (left) Spring Screw (2).....
131051	24471	Cloth Plate Slide (left) complete, Nos. 68368, 131050 and two 665J.....
131923	24471	Cloth Plate Slide (right).....

No.	Plate	Name
54209	24471	Cloth Plate Slide (right) Position Spring.....
665J	24471	Cloth Plate Slide (right) Position Spring Screw (2).....
131381	24471	Cloth Plate Slide (right) Spring.....
665J	24471	Cloth Plate Slide (right) Spring Screw (2).....
131924	24471	Cloth Plate Slide (right) complete, Nos. 54209, 131381, 131923 and four 665J.....
131925	24471	Cloth Plate complete, Nos. 131051, 131606 and 131924.....
1011F	24471	Cloth Plate Screw (left) (2).....
50396F	24471	Cloth Plate Screw (right).....
131610	24471	Cloth Plate Thread Guard.....
389F	24471	Cloth Plate Thread Guard Screw (lower).....
50473F	24471	Cloth Plate Thread Guard Screw (upper).....
131926	24470	Crank Connecting Rod with two each 1057AL, 51715AL, 131927 and 131928.....
NOTE: When No. 131926 is required for repairs, Connecting Rod and Arm Rock Shaft Crank (back) fitted together, will be furnished. All Agency orders for this part must state the Machine No. for which it is required in order to obtain correct Needle Bar Stroke.		
131931	Crank Connecting Rod 131926 with 131486.....
131927	24470	Crank Connecting Rod Cap (lower) Screw Stud (2).....
51715AL	24470	Crank Connecting Rod Cap (lower) Screw Stud Nut (2).....
131928	24470	Crank Connecting Rod Cap (lower) Screw Stud Nut Lock Washer (2).....
1057AL	24470	Crank Connecting Rod Cap (upper) Screw (2).....
131735	24473	Face Plate.....
142W	24473	Face Plate Screw (2).....
131854	24475	Feed Dog, 14 teeth (14 teeth to the inch).....
140275J	24475	Feed Dog Screw.....
460AL	20746	Feed Dog Stop Screw.....
131941	20746	Feed (lower) Bar.....
131730	20746	Feed (lower) Bar Feed Dog Seat (adjustable) with 460AL.....
190J	20746	Feed (lower) Bar Feed Dog Seat Screw.....
22436	20746	Feed (lower) Bar Feed Dog Seat Screw Washer.....
131942	Feed (lower) Bar with Feed Dog Leveling Device complete, Nos. 190J, 22436, 68467, 131730, 131941 and two 207E.....
131197	20746	Feed (lower) Bar Hinge Pin (eccentric).....
59343	20746	Feed (lower) Bar Hinge Pin Collar with 735AL.....
735AL	20746	Feed (lower) Bar Hinge Pin Collar Set Screw.....
131943	20746	Feed (lower) Bar Slide Block.....
131944	20746	Feed (lower) Bar Slide Block 131943 with 68495 and 134260.....
68495	20746	Feed (lower) Bar Slide Block Oil Pad (wick).....
134260	20746	Feed (lower) Bar Slide Block Oil Pad Retainer.....
68467	20746	Feed (lower) Bar Wearing Plate.....
207E	20746	Feed (lower) Bar Wearing Plate Screw (2).....
131500	24470	Feed (lower) Connecting Rod with 1057AL, 68497, 134260 and two 896AL.....
131502	Feed (lower) Connecting Rod 131500 with 54025.....
896AL	24470	Feed (lower) Connecting Rod Cap Screw (2).....
1057AL	24470	Feed (lower) Connecting Rod Clamping Screw.....
68497	24470	Feed (lower) Connecting Rod Oil Pad (wick).....
134260	24470	Feed (lower) Connecting Rod Oil Pad Retainer.....
51061AL	24470	Feed (lower) Eccentric Body Set Screw (3).....
7071	24470	Feed (lower) Eccentric Body Clamping Washer (2).....
217J	24470	Feed (lower) Eccentric Clamping Washer Screw (2).....
138306	Feed (lower) Eccentric Lubricating Pad (wood).....
54025	24470	Feed (lower) Eccentric (adjustable) complete, Nos. 1103C, 138306 two each 217J, 7071 and three 51061AL.....
1103C	24470	Feed (lower) Regulating Screw.....
131240	20746	Feed (lower) Rocking Frame with two 453AL.....
131945	Feed (lower) Rocking Frame 131240 with 59343, 131197 and 131942.....

No.	Plate	Name
57234	20746	Feed (lower) Rocking Frame Hinge Pin
57235	20746	Feed (lower) Rocking Frame Hinge Pin Bushing (2)
453AL	20746	Feed (lower) Rocking Frame Hinge Pin Bushing Set Screw (2)
453AL	20746	Feed (lower) Rocking Frame Hinge Pin Set Screw (2)
131613	24473	Feed (upper) Bar
131691		Feed (upper) Bar 131613 with 1194C, 1749C, 9525, 52595, 54143, 54144, 54145, 54150, 127946, 131615 and six 1423W
1423W	24473	Feed (upper) Bar Cap Screw
131615	24473	Feed (upper) Bar Connecting Bracket
54143	24473	Feed (upper) Bar Connecting Link (lower)
1423W	24473	Feed (upper) Bar Connecting Link (lower) Cap Screw (2)
54145	24473	Feed (upper) Bar Connecting Link (upper)
1423W	24473	Feed (upper) Bar Connecting Link (upper) Cap Screw
54144	24473	Feed (upper) Bell Crank
1423W	24473	Feed (upper) Bell Crank Cap Screw
54150	24473	Feed (upper) Bell Crank Connecting Link
1423W	24473	Feed (upper) Bell Crank Connecting Link Cap Screw
1194C	24473	Feed (upper) Bell Crank Connecting Link Hinge Screw
1749C	24473	Feed (upper) Bell Crank Connecting Link Hinge Screw Nut
9525	24473	Feed (upper) Bell Crank Connecting Link Hinge Screw Nut Washer
127946	24473	Feed (upper) Bell Crank Connecting Stud with 50200C
50200C	24473	Feed (upper) Bell Crank Connecting Stud Set Screw
131500	24470	Feed (upper) Connecting Rod with 1057AL, 68497, 134260 and two 896AL
131617		Feed (upper) Connecting Rod 131500 with 54456
896AL	24470	Feed (upper) Connecting Rod Cap Screw (2)
1057AL	24470	Feed (upper) Connecting Rod Clamping Screw
131618	20746	Feed (upper) Connecting Rod Crank with two 140123AL
140123AL	20746	Feed (upper) Connecting Rod Crank Set Screw (2)
131619	20746	Feed (upper) Connecting Rod Hinge Stud
68497	24470	Feed (upper) Connecting Rod Oil Pad (wick)
134260	24470	Feed (upper) Connecting Rod Oil Pad Retainer
51061AL	24470	Feed (upper) Eccentric Body Set Screw (3)
7071	24470	Feed (upper) Eccentric Clamping Washer (2)
217J	24470	Feed (upper) Eccentric Clamping Washer Screw (2)
138306		Feed (upper) Eccentric Lubricating Pad (wood)
54456	24470	Feed (upper) Eccentric (adjustable) complete, Nos. 1103C, 138306, two each 217J, 7071 and three 51061AL
147560	24473	Feed (upper) Lifting Regulator
131737	24473	Feed (upper) Lifting Regulator Connection with 140123AL
140123AL	24473	Feed (upper) Lifting Regulator Connection Clamping Screw
131622	24473	Feed (upper) Lifting Regulator Connection Sleeve
131738	20711	Feed (upper) Lifting Regulator Connection Sleeve Slide Block
131695	20711	Feed (upper) Lifting Regulator Connection Sleeve Slide Block Clamping Washer (2)
914J	20711	Feed (upper) Lifting Regulator Connection Sleeve Slide Block Clamping Washer Screw (2)
50391C	20711	Feed (upper) Lifting Regulator Connection Sleeve Slide Block Regulating Screw
1103C	24470	Feed (upper) Regulating Screw
54155	20746	Feed (upper) Rock Shaft
54369	20746	Feed (upper) Rock Shaft Collar with two 465AL
465AL	20746	Feed (upper) Rock Shaft Collar Set Screw (2)
54156	20746	Feed (upper) Rock Shaft Crank (back) with two 50200C
50200C	20746	Feed (upper) Rock Shaft Crank (back) Set Screw (2)
52595	24473	Feed (upper) Rock Shaft Crank (front) with 1057AL
1057AL	24473	Feed (upper) Rock Shaft Crank (front) Clamping Screw
131624	20746	Feed (upper) Rock Shaft Pitman

No.	Plate	Name
131625	20746	Feed (upper) Rock Shaft Pitman Crank with two 50200C
50200C	20746	Feed (upper) Rock Shaft Pitman Crank Set Screw (2)
131626	20746	Feed (upper) Rock Shaft Pitman Crank Shaft
131627	20746	Feed (upper) Rock Shaft Pitman Crank Shaft Bracket
129E	20746	Feed (upper) Rock Shaft Pitman Crank Shaft Bracket Screw (2)
41F	20746	Feed (upper) Rock Shaft Pitman Hinge Screw (2)
1520J	20746	Feed (upper) Rock Shaft Pitman Hinge Screw Nut (2)
54158	24475	Feeding Foot Hinge Pin
54159	24475	Feeding Foot Plate
54160	24475	Feeding Foot Shank
54161	24475	Feeding Foot (hinged) complete, Nos. 54158, 54159 and 54160
203J	24475	Feeding Foot Screw
25618		Guide
51224W		Guide Thumb Screw
57255	24473	Lifting Presser Bar
131629	24473	Lifting Presser Bar Bushing (lower)
1133E	24473	Lifting Presser Bar Bushing (lower) Set Screw
54162	24473	Lifting Presser Bar Bushing (upper)
1133E	24473	Lifting Presser Bar Bushing (upper) Set Screw
131630	24473	Lifting Presser Bar Lifting Bracket with 453AL
131631	24473	Lifting Presser Bar Lifting Bracket Guide
453AL	24473	Lifting Presser Bar Lifting Bracket Guide Set Screw
453AL	24473	Lifting Presser Bar Lifting Bracket Set Screw
131632	24477	Lifting Presser Bar Lifting Lever
68184	24477	Lifting Presser Bar Lifting Lever Extension
161J	24477	Lifting Presser Bar Lifting Lever Extension Screw (2)
802X	24477	Lifting Presser Bar Lifting Lever Hinge Screw
38467	24469	Lifting Presser Bar Spring (flat)
131198	24469	Lifting Presser Bar Spring (auxiliary)
38468	24469	Lifting Presser Bar Spring Stud
54214	24475	Lifting Presser Foot
190J	24475	Lifting Presser Foot Screw
53202	24475	Looper
53203	24475	Looper 53202 with 229J and 52661
54027	24479	Looper Carrier with two 175E
175E	24479	Looper Carrier Adjusting Screw (2)
54227	24479	Looper Carrier Connection
54228	24479	Looper Carrier Connection Shaft
68478	24479	Looper Carrier Connection Shaft Bushing
51263D	24479	Looper Carrier Connection Shaft Bushing Cap Screw
131882	24479	Looper Carrier Connection Shaft Bushing Collar with 50597C and two 443AL
50597C	24479	Looper Carrier Connection Shaft Bushing Collar Position Screw Stud
443AL	24479	Looper Carrier Connection Shaft Bushing Set Screw (2)
128419	24479	Looper Carrier Connection Shaft Oil Pad (braided cotton)
68479	24479	Looper Carrier Driver with four 175AL
175AL	24479	Looper Carrier Driver Cap Screw (4)
147506	24479	Looper Driving Shaft and Feed Lifting Eccentric
		NOTE: When No. 147506 is required for repairs, the Arm Rotary Shaft must be returned to the factory to be adjusted to the new part.
147507		Looper Driving Shaft and Feed Lifting Eccentric 147506 with 54027, 54227, 54228 and 68479
68483		Looper Driving Shaft and Feed Lifting Eccentric Bracket with 761E
51422J	24470	Looper Driving Shaft and Feed Lifting Eccentric Bracket Screw
131959	24479	Looper Driving Shaft and Feed Lifting Eccentric Bushing
131028	24479	Looper Driving Shaft and Feed Lifting Eccentric Bushing Oil Plug

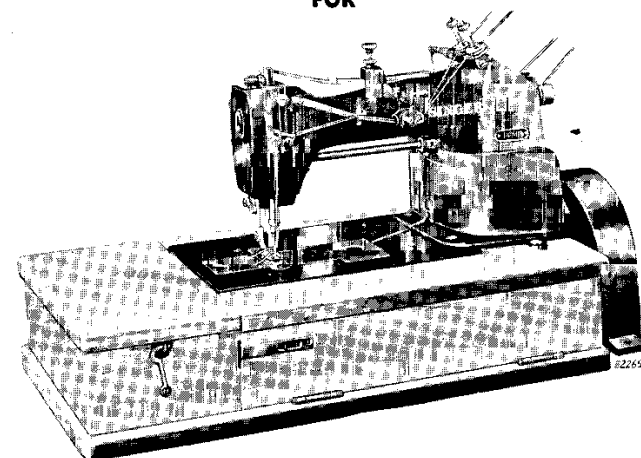
No.	Plate	Name
761E	24470	Looper Driving Shaft and Feed Lifting Eccentric Bushing Position Screw
68497		Looper Driving Shaft and Feed Lifting Eccentric Front Bearing Oil Pad (wick)
640E	24470	Looper Driving Shaft and Feed Lifting Eccentric Screw
54035	24479	Looper Holder with 1120AL
51119J	24479	Looper Holder Screw
52661	24475	Looper Needle Guard with 46105
46105	24475	Looper Needle Guard Pin
229J	24475	Looper Needle Guard Screw
1120AL	24479	Looper Set Screw
131914	24470	Machine Driving Pulley "V" belt groove (outside diam. of belt groove 2.9 in.) with two 51283AL, for 3/8 in. "V" belt
51283AL	24470	Machine Driving Pulley Set Screw (2)
131739	24473	Needle Bar (hollow) with 857AL
131291	24473	Needle Bar Bushing (lower)
1133E	24473	Needle Bar Bushing (lower) Set Screw
68187	24473	Needle Bar Bushing (upper)
1133E	24473	Needle Bar Bushing (upper) Set Screw
68488	24473	Needle Bar Connecting Link and Thread (upper) Controller
131399		Needle Bar Connecting Link and Thread (upper) Controller 68488 with 68489 and 131400
68489	24473	Needle Bar Connecting Link Hinge Stud (hollow)
1520J	24473	Needle Bar Connecting Link Hinge Stud Nut
131270	24473	Needle Bar Connecting Link Hinge Stud Oil Pad (wick)
861C	24473	Needle Bar Connecting Link Hinge Stud Oil Plug Screw
853AL	20711	Needle Bar Connecting Link Hinge Stud Set Screw
131400	24473	Needle Bar Connecting Stud with 211C and 1492E
1492E	24473	Needle Bar Connecting Stud Clamping Screw
131316	24475	Needle Guard (movable)
68123		Needle Guard (movable) Clamp
857AL	24473	Needle Set Screw
131636	24487	Oil Pipe (back of arm) with 68497, for oiling Feed (lower) Rocking Frame Hinge Pin Front Bearing
147562	24487	Oil Pipe (back of arm) Clamp
147563	24487	Oil Pipe (back of arm) Clamping Plate
147564	24487	Oil Pipe (back of arm) Clamping Plate Bracket
443AL	24487	Oil Pipe (back of arm) Clamping Plate Bracket Screw
1520J	24487	Oil Pipe (back of arm) Clamping Plate Bracket Screw Lock Nut
176E	24487	Oil Pipe (back of arm) Clamping Screw
68494	24487	Oil Pipe (back of arm) Connection with 68495 and two 198E, for oiling Feed (lower) Rocking Frame Hinge Pin Back Bearing and Feed (upper) Rock Shaft Pitman Crank Shaft (2)
198E	24487	Oil Pipe (back of arm) Connection Cap Screw (4)
68495	24487	Oil Pipe (back of arm) Connection Oil Pad (wick) (2)
68496	24487	Oil Pipe (back of arm) Coupling
1733	24487	Oil Pipe (back of arm) Coupling Nut (brass)
68497	24487	Oil Pipe (back of arm) Oil Pad (wick)
131637	24487	Oil Pipe (front of arm) with 131089 and two 1733, for oiling Looper Driving Shaft and Feed Lifting Eccentric Front Bearing
131112	24487	Oil Pipe (front of arm) with 68497 and 131003, for oiling Feed Bar Slide Block
68500	24487	Oil Pipe (front of arm) with 1733, 131084 and 131089, for oiling Arm Rotary Shaft Front Bearing
131113	24487	Oil Pipe (front of arm) with 68497 and 131003, for oiling Feed (lower) Connecting Rod
131113	24487	Oil Pipe (front of arm) with 68497 and 131003, for oiling Feed (upper) Connecting Rod
131638		Oil Pipe (front of arm) complete, Nos. 68500, 131112, 131637 and two 131113

No.	Plate	Name
131002	24487	Oil Pipe (front of arm) Connection with two 198E, for oiling Looper Carrier Connection Shaft
131003	24487	Oil Pipe (front of arm) Connection with two 198E, for 131112 and 131113 (3)
131084	24487	Oil Pipe (front of arm) Connection with two 198E, for 68500
198E	24487	Oil Pipe (front of arm) Connection Cap Screw (10)
131004	24487	Oil Pipe (front of arm) Coupling (center)
131004	24487	Oil Pipe (front of arm) Coupling (left)
131087	24487	Oil Pipe (front of arm) Coupling (right) with Oil Lead
1733	24487	Oil Pipe (front of arm) Coupling Nut (brass) (3)
131089	24487	Oil Pipe (front of arm) Oil Pad (wick) for 68500 and 131637 (2)
68497	24487	Oil Pipe (front of arm) Oil Pad (wick) for 131112 and 131113 (3)
574W	24469	Pressure Regulating Thumb Screw
1539W	24469	Pressure Regulating Thumb Screw Lock Nut
131025	24481	Slack Thread Controller
54242	24481	Slack Thread Controller Clamp
190J	24481	Slack Thread Controller Clamp Screw
131896	24481	Slack Thread Regulator
131404	24481	Slack Thread Regulator Holder
131405	24481	Slack Thread Regulator Holder Crank with 171AL
1423J	24481	Slack Thread Regulator Holder Crank Cap Screw
171AL	24481	Slack Thread Regulator Holder Crank Clamping Screw
131639	24481	Slack Thread Regulator Holder Crank Connecting Link
217J	24481	Slack Thread Regulator Screw
131012	24477	Tension (under thread) Bracket
691AL	24477	Tension (under thread) Bracket Screw (2)
2102	24477	Tension (under thread) Disc (2)
51570C	24477	Tension (under thread) Regulating Thumb Nut
50326C	24477	Tension (under thread) Screw Stud
59539		Tension (under thread) Screw Stud 50326C with 51570C
131740	24477	Tension (under thread) Spring
59537	24477	Tension (under thread) Spring Bushing (large)
59538	24477	Tension (under thread) Spring Bushing (small)
131696	24477	Tension (under thread) Thread Guide
54045	24477	Tension (upper thread) Bracket
140443J	24477	Tension (upper thread) Bracket Screw
2102	24477	Tension (upper thread) Disc (2)
51570C	24477	Tension (upper thread) Regulating Thumb Nut
32572	24477	Tension (upper thread) Releasing Disc
54988	24477	Tension (upper thread) Releasing Pin
54046	24477	Tension (upper thread) Releasing Shaft
54047	24477	Tension (upper thread) Releasing Shaft Crank with 624AL
54048	24477	Tension (upper thread) Releasing Shaft Crank Link
624AL	24477	Tension (upper thread) Releasing Shaft Crank Set Screw
68261	24477	Tension (upper thread) Releasing Shaft Spring
131011	24477	Tension (upper thread) Releasing Shaft Spring Position Plate
316C	24477	Tension (upper thread) Releasing Shaft Stop Screw
1547J	24477	Tension (upper thread) Releasing Shaft Stop Screw Nut
50326C	24477	Tension (upper thread) Screw Stud
59539		Tension (upper thread) Screw Stud 50326C with 51570C
131741	24477	Tension (upper thread) Spring
59537	24477	Tension (upper thread) Spring Bushing (large)
59538	24477	Tension (upper thread) Spring Bushing (small)
131696	24477	Tension (upper thread) Thread Guide
53225	24477	Thread (under) Eyelet (back)
190J	24477	Thread (under) Eyelet (back) Screw
38284	24483	Thread (under) Eyelet (front)
131970	24470	Thread (under) Nipper Cam with 465AL
465AL	24470	Thread (under) Nipper Cam Screw

No.	Plate	Name
38210	24483	Thread (under) Nipper Spring (lower).....
38211	24483	Thread (under) Nipper Spring (upper).....
46247	24483	Thread (under) Nipper Spring Stop.....
176J	24483	Thread (under) Nipper Spring Stop Screw.....
38475	24470	Thread (under) Take-up with 465AL.....
465AL	24470	Thread (under) Take-up Set Screw.....
38478	24483	Thread (under) Take-up Staple with two each 590J and 38481.....
54049	24483	Thread (under) Take-up Staple Bracket with 460AL.....
965D	24483	Thread (under) Take-up Staple Bracket Screw.....
46041	24483	Thread (under) Take-up Staple Spring.....
190J	24483	Thread (under) Take-up Staple Spring Screw.....
38481	24483	Thread (under) Take-up Staple Thread Guard (2).....
590J	24483	Thread (under) Take-up Staple Thread Guard Screw (2).....
38482	24483	Thread (under) Take-up Stripper.....
207J	24483	Thread (under) Take-up Stripper Screw.....
131972	24470	Thread (under) Take-up Thread Guard.....
64356	24483	Thread (under) Take-up Thread Guard Steady Pin.....
460AL	24483	Thread (under) Take-up Thread Guard Steady Pin Set Screw.....
68129	24481	Thread (upper) Nipper Body.....
1149AL	24481	Thread (upper) Nipper Body Set Screw.....
68130	24481	Thread (upper) Nipper Disc (inside).....
68131	24481	Thread (upper) Nipper Disc (inside) Washer (fibre).....
68132	24481	Thread (upper) Nipper Disc (outside).....
1698R	24481	Thread (upper) Nipper Disc (outside) Nut.....
59456	24481	Thread (upper) Nipper Disc (outside) Nut Washer.....
68133	24481	Thread (upper) Nipper Roller.....
68134	24481	Thread (upper) Nipper Roller Hinge Pin.....
68135	24481	Thread (upper) Nipper Stud.....
68136	24481	Thread (upper) Nipper Stud 68135 with 68133 and 68134.....
131977	24481	Thread (upper) Nipper Stud Spring.....
68137	24481	Thread (upper) Nipper complete, Nos. 1698R, 59456, 68129, 68130, 68131, 68132, 68136 and 131977.....
68138	24481	Thread (upper) Nipper Thread Guide.....
207J	24481	Thread (upper) Nipper Thread Guide Screw.....
131332	24481	Thread (upper) Take-up.....
54194	24481	Thread (upper) Take-up Plate.....
68164	24481	Thread (upper) Take-up Plate Spring.....
1449J	24481	Thread (upper) Take-up Plate Spring Screw.....
131333	24481	Thread (upper) Take-up complete, Nos. 1449J, 54194, 68164 and 131332.....
211C	24473	Thread (upper) Take-up Set Screw.....
54215	24475	Throat Plate for 131854.....
742F	24475	Throat Plate Screw (2).....

LIST OF PARTS COMPLETE

FOR



MACHINE No. 147-115

FOR LIGHT AND MEDIUM WEIGHT CLOTH OR LEATHER. TWO NEEDLES, TWO LOOPERS. GAUGES 3/32" TO 3/8", IN STEPS OF 1/32". HAS UNDER THREAD NIPPER. INDEPENDENT UPPER AND UNDER FEED ALTERNATING PRESSERS. LENGTH OF STITCHES 5 TO 20 TO THE INCH. NEEDLE BAR STROKE 1-5/16". SPEED 3000 DEPENDING ON MATERIALS USED AND OPERATIONS PERFORMED.

No.	Plate	Name
*131601	Arm, upper and lower (solid) with 51422J, 68483 and four 131022.....
68428	24469	Arm Bottom Cover.....
68429	24469	Arm Bottom Cover Gasket (cork).....
1057AL	24469	Arm Bottom Cover Screw (4).....
50608R	24469	Arm Hole Plug Screw, for access to Crank Connecting Rod (upper bearing).....
139017	24469	Arm Hole Plug Screw Washer.....
68350	20711	Arm Oil Cup, for oiling Arm Rock Shaft Front Bearing.....
131864	24470	Arm Oil Cup, for 131866.....
131865	24470	Arm Oil Cup Oil Gauge.....
131866	24470	Arm Oil Cup with Oil Gauge complete, for filling oil reservoir, Nos. 131864 and 131865.....
131319	20711	Arm Oil Cup Oil Pad for 68350.....
11119	20711	Arm Oil Tube with 52045, for oiling Thread (upper) Nipper.....
56003	20711	Arm Oil Tube with 52045, for oiling Feed (upper) Bell Crank Connection Sleeve.....
52045	20711	Arm Oil Tube Packing (wick) (2).....
131733	20711	Arm Rock Shaft and Front Crank with 853AL.....
131734	Arm Rock Shaft 131733 with 50391C, 131738 and two each 914J and 131695.....
1309C	20711	Arm Rock Shaft Adjusting Screw.....

No.	Plate	Name
131056	20711	Arm Rock Shaft Adjusting Screw Washer.....
68433	20711	Arm Rock Shaft Bushing (back).....
68435	20711	Arm Rock Shaft Bushing (back) Cap.....
131095	20711	Arm Rock Shaft Bushing (back) Cap Washer (fiber).....
446AL	20711	Arm Rock Shaft Bushing (back) Set Screw.....
68436	20711	Arm Rock Shaft Bushing (intermediate).....
423AL	20711	Arm Rock Shaft Bushing (intermediate) Set Screw.....
131486	24470	Arm Rock Shaft Crank, back (ball bearing, solid) with two 51407AL.....
51407AL	24470	Arm Rock Shaft Crank (back) Set Screw (2).....
131456	20711	Arm Rock Shaft Flanged Bushing (front).....
453AL	20711	Arm Rock Shaft Flanged Bushing (front) Set Screw.....
42365	20711	Arm Rock Shaft Oil Pad for oiling Back Bearing.....
54969	20711	Arm Rock Shaft Oil Pad for oiling Intermediate Bearing.....
131487	24470	Arm Rotary Shaft.....
NOTE: When No. 131487 is required for repairs, the Looper Driving Shaft and Feed Lifting Eccentric must be returned to the factory to be adjusted to the new part.		
147508	Arm Rotary Shaft 131487 with 640E, 131502, 131617, 131931 and 147507.....
131366	24470	Arm Rotary Shaft Ball Bearing (back) (2).....
131478	24470	Arm Rotary Shaft Ball Bearing (back) Case.....
131479	Arm Rotary Shaft Ball Bearing (back) Case 131478 with 131369 and three 205C.....
131526	Arm Rotary Shaft Ball Bearing (back) Case with Ball Bearings complete, Nos. 131479, 131480 and two 131366.....
131369	24470	Arm Rotary Shaft Ball Bearing (back) Case Cap.....
205C	24470	Arm Rotary Shaft Ball Bearing (back) Case Cap Screw (3).....
131370	24470	Arm Rotary Shaft Ball Bearing (back) Case Position Stud (3).....
429C	24470	Arm Rotary Shaft Ball Bearing (back) Case Set Screw.....
131480	24470	Arm Rotary Shaft Ball Bearing (back) Spacing Collar.....
131366	24470	Arm Rotary Shaft Ball Bearing (intermediate).....
131481	24470	Arm Rotary Shaft Ball Bearing (intermediate) Case.....
1304C	24470	Arm Rotary Shaft Ball Bearing (intermediate) Case Set Screw.....
131482	24470	Arm Rotary Shaft Ball Bearing (intermediate) Collar with two 457AL.....
457AL	24470	Arm Rotary Shaft Ball Bearing (intermediate) Collar Set Screw (2).....
131457	24470	Arm Rotary Shaft Bushing (front).....
761E	24470	Arm Rotary Shaft Bushing (front) Set Screw.....
42367	24470	Arm Rotary Shaft Front Bearing Oil Pad (lower).....
54218	24470	Arm Rotary Shaft Front Bearing Oil Pad (upper).....
144D	24470	Arm Rotary Shaft Screw.....
131276	24469	Arm Side Cover (oil vent).....
131909	24469	Arm Side Cover Cap.....
131280	24469	Arm Side Cover Cap Position Pin.....
1289X	24469	Arm Side Cover Cap Screw.....
131910	24469	Arm Side Cover Cap Spring.....
131911	24469	Arm Side Cover (oil vent) complete, Nos. 1289X, 131276, 131280, 131909 and 131910.....
68448	24469	Arm Side Cover Gasket (victorite).....
1057AL	24469	Arm Side Cover Screw (4).....
131606	24472	Cloth Plate with 54309.....
54309	24472	Cloth Plate Oil Tube with 49092.....
49092	24472	Cloth Plate Oil Tube Packing (felt).....
68368	24472	Cloth Plate Slide (left).....
131050	24472	Cloth Plate Slide (left) Spring.....
665J	24472	Cloth Plate Slide (left) Spring Screw (2).....
131051	24472	Cloth Plate Slide (left) complete, Nos. 68368, 131050 and two 665J.....
131607	24472	Cloth Plate Slide (right).....

No.	Plate	Name
131381	24472	Cloth Plate Slide (right) Spring.....
665J	24472	Cloth Plate Slide (right) Spring Screw (2).....
131608	24472	Cloth Plate Slide (right) complete, Nos. 131381, 131607 and two 665J.....
131609	24472	Cloth Plate complete, Nos. 131051, 131606 and 131608.....
1011F	24472	Cloth Plate Screw (left) (2).....
50396F	24472	Cloth Plate Screw (right).....
131610	24472	Cloth Plate Thread Guard.....
389F	24472	Cloth Plate Thread Guard Screw (lower).....
50473F	24472	Cloth Plate Thread Guard Screw (upper).....
131926	24470	Crank Connecting Rod with two each 1057AL, 51715AL, 131927 and 131928.....
NOTE: When No. 131926 is required for repairs, Connecting Rod and Arm Rock Shaft Crank (back) fitted together, will be furnished. All Agency Orders for this part must state the Machine No. for which it is required, in order to obtain correct Needle Bar Stroke.		
131931	Crank Connecting Rod 131926 with 131486.....
131927	24470	Crank Connecting Rod Cap (lower) Screw Stud (2).....
51715AL	24470	Crank Connecting Rod Cap (lower) Screw Stud Nut (2).....
131928	24470	Crank Connecting Rod Cap (lower) Screw Stud Nut Lock Washer (2).....
1057AL	24470	Crank Connecting Rod Cap (upper) Screw (2).....
131735	24474	Face Plate.....
142W	24474	Face Plate Screw (2).....
147556	24476	Feed Dog, 19 teeth (16 teeth to the inch) for 3/32 in. to 5/32 in. gauges, for 147557.....
147558	24476	Feed Dog, 18 teeth (16 teeth to the inch, for 3/16 in. to 3/8 in. gauges, for 147559.....
50073J	24476	Feed Dog Screw.....
460AL	20746	Feed Dog Stop Screw.....
131941	20746	Feed (lower) Bar.....
131730	20746	Feed (lower) Bar Feed Dog Seat (adjustable) with 460AL.....
190J	20746	Feed (lower) Bar Feed Dog Seat Screw.....
22436	20746	Feed (lower) Bar Feed Dog Seat Screw Washer.....
131942	Feed (lower) Bar with Feed Dog Leveling Device complete, Nos. 190J, 22436, 68467, 131730, 131941 and two 207E.....
131197	20746	Feed (lower) Bar Hinge Pin (eccentric).....
59343	20746	Feed (lower) Bar Hinge Pin Collar with 735AL.....
735AL	20746	Feed (lower) Bar Hinge Pin Collar Set Screw.....
131943	20746	Feed (lower) Bar Slide Block.....
131944	20746	Feed (lower) Bar Slide Block 131943 with 68495 and 134260.....
68495	20746	Feed (lower) Bar Slide Block Oil Pad (wick).....
134260	20746	Feed (lower) Bar Slide Block Oil Pad Retainer.....
68467	20746	Feed (lower) Bar Wearing Plate.....
207E	20746	Feed (lower) Bar Wearing Plate Screw (2).....
131500	24470	Feed (lower) Connecting Rod with 1057AL, 68497, 134260 and two 896AL.....
131502	Feed (lower) Connecting Rod 131500 with 54025.....
896AL	24470	Feed (lower) Connecting Rod Cap Screw (2).....
1057AL	24470	Feed (lower) Connecting Rod Clamping Screw.....
68497	24470	Feed (lower) Connecting Rod Oil Pad (wick).....
134260	24470	Feed (lower) Connecting Rod Oil Pad Retainer.....
51061AL	24470	Feed (lower) Eccentric Body Set Screw (3).....
7071	24470	Feed (lower) Eccentric Clamping Washer (2).....
217J	24470	Feed (lower) Eccentric Clamping Washer Screw (2).....
138306	Feed (lower) Eccentric Lubricating Pad (wood).....
54025	24470	Feed (lower) Eccentric (adjustable) complete, Nos. 1103C, 138306 two each 217J, 7071 and three 51061AL.....
1103C	24470	Feed (lower) Regulating Screw.....
131240	20746	Feed (lower) Rocking Frame with two 453AL.....

No.	Plate	Name
131945		Feed (lower) Rocking Frame 131240 with 59343, 131197 and 131942
57234	20746	Feed (lower) Rocking Frame Hinge Pin
57235	20746	Feed (lower) Rocking Frame Hinge Pin Bushing (2)
453AL	20746	Feed (lower) Rocking Frame Hinge Pin Bushing Set Screw (2)
453AL	20746	Feed (lower) Rocking Frame Hinge Pin Set Screw (2)
131613	24474	Feed (upper) Bar
131691		Feed (upper) Bar 131613 with 1194C, 1749C, 9525, 52595, 54143, 54144, 54145, 54150, 127946, 131615 and six 1423W
1423W	24474	Feed (upper) Bar Cap Screw
131615	24474	Feed (upper) Bar Connecting Bracket
54143	24474	Feed (upper) Bar Connecting Link (lower)
1423W	24474	Feed (upper) Bar Connecting Link (lower) Cap Screw (2)
54145	24474	Feed (upper) Bar Connecting Link (upper)
1423W	24474	Feed (upper) Bar Connecting Link (upper) Cap Screw
54144	24474	Feed (upper) Bell Crank
1423W	24474	Feed (upper) Bell Crank Cap Screw
54150	24474	Feed (upper) Bell Crank Connecting Link
1423W	24474	Feed (upper) Bell Crank Connecting Link Cap Screw
1194C	24474	Feed (upper) Bell Crank Connecting Link Hinge Screw
1749C	24474	Feed (upper) Bell Crank Connecting Link Hinge Screw Nut
9525	24474	Feed (upper) Bell Crank Connecting Link Hinge Screw Nut Washer
127946	24474	Feed (upper) Bell Crank Connecting Stud with 50200C
50200C	24474	Feed (upper) Bell Crank Connecting Stud Set Screw
131500	24470	Feed (upper) Connecting Rod with 1057AL, 68497, 134260 and two 896AL
131617		Feed (upper) Connecting Rod 131500 with 54456
896AL	24470	Feed (upper) Connecting Rod Cap Screw (2)
1057AL	24470	Feed (upper) Connecting Rod Clamping Screw
131618	20746	Feed (upper) Connecting Rod Crank with two 140123AL
140123AL	20746	Feed (upper) Connecting Rod Crank Set Screw (2)
131619	20746	Feed (upper) Connecting Rod Hinge Stud
68497	24470	Feed (upper) Connecting Rod Oil Pad (wick)
134260	24470	Feed (upper) Connecting Rod Oil Pad Retainer
51061AL	24470	Feed (upper) Eccentric Body Set Screw (3)
7071	24470	Feed (upper) Eccentric Clamping Washer (2)
217J	24470	Feed (upper) Eccentric Clamping Washer Screw (2)
138306		Feed (upper) Eccentric Lubricating Pad (wood)
54456	24470	Feed (upper) Eccentric (adjustable) complete, Nos. 1103C, 138306, two each 217J, 7071 and three 51061AL
147560	24474	Feed (upper) Lifting Regulator
131737	24474	Feed (upper) Lifting Regulator Connection with 140123AL
140123AL	24474	Feed (upper) Lifting Regulator Connection Clamping Screw
131622	24474	Feed (upper) Lifting Regulator Connection Sleeve
131738	20711	Feed (upper) Lifting Regulator Connection Sleeve Slide Block
131695	20711	Feed (upper) Lifting Regulator Connection Sleeve Slide Block Clamping Washer (2)
914J	20711	Feed (upper) Lifting Regulator Connection Sleeve Slide Block Clamping Washer Screw (2)
50391C	20711	Feed (upper) Lifting Regulator Connection Sleeve Slide Block Regulating Screw
1103C	24470	Feed (upper) Regulating Screw
54155	20746	Feed (upper) Rock Shaft
54369	20746	Feed (upper) Rock Shaft Collar with two 465AL
465AL	20746	Feed (upper) Rock Shaft Collar Set Screw (2)
54156	20746	Feed (upper) Rock Shaft Crank (back) with two 50200C
50200C	20746	Feed (upper) Rock Shaft Crank (back) Set Screw (2)
52595	24474	Feed (upper) Rock Shaft Crank (front) with 1057AL

No.	Plate	Name
1057AL	24474	Feed (upper) Rock Shaft Crank (front) Clamping Screw
131624	20746	Feed (upper) Rock Shaft Pitman
131625	20746	Feed (upper) Rock Shaft Pitman Crank with two 50200C
50200C	20746	Feed (upper) Rock Shaft Pitman Crank Set Screw (2)
131626	20746	Feed (upper) Rock Shaft Pitman Crank Shaft
131627	20746	Feed (upper) Rock Shaft Pitman Crank Shaft Bracket
129E	20746	Feed (upper) Rock Shaft Pitman Crank Shaft Bracket Screw (2)
41F	20746	Feed (upper) Rock Shaft Pitman Hinge Screw (2)
1520J	20746	Feed (upper) Rock Shaft Pitman Hinge Screw Nut (2)
52596	24476	Feeding Foot
203J	24476	Feeding Foot Screw
57255	24474	Lifting Presser Bar
131629	24474	Lifting Presser Bar Bushing (lower)
1133E	24474	Lifting Presser Bar Bushing (lower) Set Screw
54162	24474	Lifting Presser Bar Bushing (upper)
1133E	24474	Lifting Presser Bar Bushing (upper) Set Screw
131630	24474	Lifting Presser Bar Lifting Bracket with 453AL
131631	24474	Lifting Presser Bar Lifting Bracket Guide
453AL	24474	Lifting Presser Bar Lifting Bracket Guide Set Screw
453AL	24474	Lifting Presser Bar Lifting Bracket Set Screw
131632	24478	Lifting Presser Bar Lifting Lever
68184	24478	Lifting Presser Bar Lifting Lever Extension
161J	24478	Lifting Presser Bar Lifting Lever Extension Screw (2)
802X	24478	Lifting Presser Bar Lifting Lever Hinge Screw
38467	24469	Lifting Presser Bar Spring (flat)
131198	24469	Lifting Presser Bar Spring (auxiliary)
38468	24469	Lifting Presser Bar Spring Stud
52535	24476	Lifting Presser Foot
190J	24476	Lifting Presser Foot Screw
131425	24476	Looper (back)
		NOTE: When ordering No. 131425, state gauge of machine for which required.
452AL	24480	Looper (back) Set Screw
131426	24476	Looper (front)
		NOTE: When ordering No. 131426, state gauge of machine for which required.
1120AL	24480	Looper (front) Set Screw
54027	24480	Looper Carrier with two 175E
175E	24480	Looper Carrier Adjusting Screw (2)
54227	24480	Looper Carrier Connection
54228	24480	Looper Carrier Connection Shaft
68478	24480	Looper Carrier Connection Shaft Bushing
51263D	24480	Looper Carrier Connection Shaft Bushing Cap Screw
131882	24480	Looper Carrier Connection Shaft Bushing Collar with 50597C and two 443AL
50597C	24480	Looper Carrier Connection Shaft Bushing Collar Position Screw Stud
443AL	24480	Looper Carrier Connection Shaft Bushing Set Screw (2)
128419	24480	Looper Carrier Connection Shaft Oil Pad (braided cotton)
68479	24480	Looper Carrier Driver with four 175AL
175AL	24480	Looper Carrier Driver Cap Screw (4)
147506	24480	Looper Driving Shaft and Feed Lifting Eccentric
		NOTE: When No. 147506 is required for repairs, the Arm Rotary Shaft must be returned to the factory to be adjusted to the new part.
147507		Looper Driving Shaft and Feed Lifting Eccentric 147506 with 54027, 54227, 54228 and 68479
68483		Looper Driving Shaft and Feed Lifting Eccentric Bracket with 761E
51422J	24470	Looper Driving Shaft and Feed Lifting Eccentric Bracket Screw
131959	24480	Looper Driving Shaft and Feed Lifting Eccentric Bushing

No.	Plate	Name
131028	24480	Looper Driving Shaft and Feed Lifting Eccentric Bushing Oil Plug
761E	24470	Looper Driving Shaft and Feed Lifting Eccentric Bushing Position Screw
68497		Looper Driving Shaft and Feed Lifting Eccentric Front Bearing Oil Pad (wick)
640E	24470	Looper Driving Shaft and Feed Lifting Eccentric Screw
131052	24480	Looper Holder with 452AL and 1120AL
51119J	24480	Looper Holder Screw
131914	24470	Machine Driving Pulley, "V" belt groove (outside diam. of belt groove 2.9 in.) with two 51283AL, for 3/8 in. "V" belt
51283AL	24470	Machine Driving Pulley Set Screw (2)
64319	24474	Needle Bar (hollow)
131045		Needle Bar complete, Nos. 64319 and 131044
131291	24474	Needle Bar Bushing (lower)
1133E	24474	Needle Bar Bushing (lower) Set Screw
68187	24474	Needle Bar Bushing (upper)
1133E	24474	Needle Bar Bushing (upper) Set Screw
68488	24474	Needle Bar Connecting Link and Thread (upper) Controller
131399		Needle Bar Connecting Link and Thread (upper) Controller 68488 with 68489 and 131400
68489	24474	Needle Bar Connecting Link Hinge Stud (hollow)
1520J	24474	Needle Bar Connecting Link Hinge Stud Nut
131270	24474	Needle Bar Connecting Link Hinge Stud Oil Pad (wick)
861C	24474	Needle Bar Connecting Link Hinge Stud Oil Plug Screw
853AL	20711	Needle Bar Connecting Link Hinge Stud Set Screw
131400	24474	Needle Bar Connecting Stud with 211C and 1492E
1492E	24474	Needle Bar Connecting Stud Clamping Screw
131044	24474	Needle Clamp with two 1498AL
54068	24476	Needle Guard (stationary)
54038	24476	Needle Guard (stationary) Holder
176J	24476	Needle Guard (stationary) Holder Screw
217C	24476	Needle Guard (stationary) Screw
1498AL	24474	Needle Set Screw
131636	24487	Oil Pipe (back of arm) with 68497, for oiling Feed (lower) Rocking Frame Hinge Pin Front Bearing
147562	24487	Oil Pipe (back of arm) Clamp
147563	24487	Oil Pipe (back of arm) Clamping Plate
147564	24487	Oil Pipe (back of arm) Clamping Plate Bracket
443AL	24487	Oil Pipe (back of arm) Clamping Plate Bracket Screw
1520J	24487	Oil Pipe (back of arm) Clamping Plate Bracket Screw Lock Nut
176E	24487	Oil Pipe (back of arm) Clamping Screw
68494	24487	Oil Pipe (back of arm) Connection with 68495 and two 198E, for oiling Feed (lower) Rocking Frame Hinge Pin Back Bearing and Feed (upper) Rock Shaft Pitman Crank Shaft (2)
198E	24487	Oil Pipe (back of arm) Connection Cap Screw (4)
68495	24487	Oil Pipe (back of arm) Connection Oil Pad (wick) (2)
68496	24487	Oil Pipe (back of arm) Coupling
1733	24487	Oil Pipe (back of arm) Coupling Nut (brass)
68497	24487	Oil Pipe (back of arm) Oil Pad (wick)
131637	24487	Oil Pipe (front of arm) with 131089 and two 1733, for oiling Looper Driving Shaft and Feed Lifting Eccentric Front Bearing
131112	24487	Oil Pipe (front of arm) with 68497 and 131003, for oiling Feed (lower) Bar Slide Block
68500	24487	Oil Pipe (front of arm) with 1733, 131084 and 131089, for oiling Arm Rotary Shaft Front Bearing
131113	24487	Oil Pipe (front of arm) with 68497 and 131003, for oiling Feed (lower) Connecting Rod

No.	Plate	Name
131113	24487	Oil Pipe (front of arm) with 68497 and 131003, for oiling Feed (upper) Connecting Rod
131638		Oil Pipe (front of arm) complete, Nos. 68500, 131112, 131637 and two 131113
131002	24487	Oil Pipe (front of arm) Connection with two 198E, for oiling Looper Carrier Connection Shaft
131003	24487	Oil Pipe (front of arm) Connection with two 198E, for 131112 and 131113 (3)
131084	24487	Oil Pipe (front of arm) Connection with two 198E, for 68500
198E	24487	Oil Pipe (front of arm) Connection Cap Screw (10)
131004	24487	Oil Pipe (front of arm) Coupling (center)
131004	24487	Oil Pipe (front of arm) Coupling (left)
131087	24487	Oil Pipe (front of arm) Coupling (right) with Oil Lead
1733	24487	Oil Pipe (front of arm) Coupling Nut (brass) (3)
131089	24487	Oil Pipe (front of arm) Oil Pad (wick) for 68500 and 131637 (2)
68497	24487	Oil Pipe (front of arm) Oil Pad (wick) for 131112 and 131113 (3)
574W	24469	Pressure Regulating Thumb Screw
1539W	24469	Pressure Regulating Thumb Screw Lock Nut
131025	24482	Slack Thread Controller
54242	24482	Slack Thread Controller Clamp
190J	24482	Slack Thread Controller Clamp Screw
139390	24482	Slack Thread Regulator
131404	24482	Slack Thread Regulator Holder
131405	24482	Slack Thread Regulator Holder Crank with 171AL
1423J	24482	Slack Thread Regulator Holder Crank Cap Screw
171AL	24482	Slack Thread Regulator Holder Crank Clamping Screw
131639	24482	Slack Thread Regulator Holder Crank Connecting Link
217J	24482	Slack Thread Regulator Screw
131012	24478	Tension (under thread) Bracket
691AL	24478	Tension (under thread) Bracket Screw (2)
2102	24478	Tension (under thread) Disc (4)
51570C	24478	Tension (under thread) Regulating Thumb Nut (2)
50326C	24478	Tension (under thread) Screw Stud (2)
59539		Tension (under thread) Screw Stud 50326C with 51570C (2)
131740	24478	Tension (under thread) Spring (2)
59537	24478	Tension (under thread) Spring Bushing (large) (2)
59538	24478	Tension (under thread) Spring Bushing (small) (2)
131696	24478	Tension (under thread) Thread Guide (2)
54070	24478	Tension (upper thread) Bracket
140443J	24478	Tension (upper thread) Bracket Screw
2102	24478	Tension (upper thread) Disc (4)
51570C	24478	Tension (upper thread) Regulating Thumb Nut (2)
32572	24478	Tension (upper thread) Releasing Disc (2)
54988	24478	Tension (upper thread) Releasing Pin (2)
54071	24478	Tension (upper thread) Releasing Shaft
54047	24478	Tension (upper thread) Releasing Shaft Crank with 624AL
54048	24478	Tension (upper thread) Releasing Shaft Crank Link
624AL	24478	Tension (upper thread) Releasing Shaft Crank Set Screw
68261	24478	Tension (upper thread) Releasing Shaft Spring
131011	24478	Tension (upper thread) Releasing Shaft Spring Position Plate
316C	24478	Tension (upper thread) Releasing Shaft Stop Screw
1547J	24478	Tension (upper thread) Releasing Shaft Stop Screw Nut
50326C	24478	Tension (upper thread) Screw Stud (2)
59539		Tension (upper thread) Screw Stud 50326C with 51570C (2)
131741	24478	Tension (upper thread) Spring (2)
59537	24478	Tension (upper thread) Spring Bushing (large) (2)
59538	24478	Tension (upper thread) Spring Bushing (small) (2)
131696	24478	Tension (upper thread) Thread Guide (2)
53225	24478	Thread (under) Eyelet (back)

PARTS FOR MACHINE No. 147-115

No.	Plate	Name
190J	24478	Thread (under) Eyelet (back) Screw.....
54072	24484	Thread (under) Eyelet (front).....
131970	24470	Thread (under) Nipper Cam with 465AL.....
465AL	24470	Thread (under) Nipper Cam Screw.....
38210	24484	Thread (under) Nipper Spring (lower).....
38211	24484	Thread (under) Nipper Spring (upper).....
46247	24484	Thread (under) Nipper Spring Stop.....
176J	24484	Thread (under) Nipper Spring Stop Screw.....
38475	24470	Thread (under) Take-up with 465AL.....
465AL	24470	Thread (under) Take-up Set Screw.....
54435	24484	Thread (under) Take-up Staple with 590J and 38481.....
54049	24484	Thread (under) Take-up Staple Bracket with 460AL.....
965D	24484	Thread (under) Take-up Staple Bracket Screw.....
46041	24484	Thread (under) Take-up Staple Spring.....
190J	24484	Thread (under) Take-up Staple Spring Screw.....
38481	24484	Thread (under) Take-up Staple Thread Guard.....
590J	24484	Thread (under) Take-up Staple Thread Guard Screw.....
38482	24484	Thread (under) Take-up Stripper.....
207J	24484	Thread (under) Take-up Stripper Screw.....
131972	24470	Thread (under) Take-up Thread Guard.....
64356	24484	Thread (under) Take-up Thread Guard Steady Pin.....
460AL	24484	Thread (under) Take-up Thread Guard Steady Pin Set Screw.....
68129	24482	Thread (upper) Nipper Body.....
1149AL	24482	Thread (upper) Nipper Body Set Screw.....
68130	24482	Thread (upper) Nipper Disc (inside).....
68131	24482	Thread (upper) Nipper Disc (inside) Washer (fiber).....
68132	24482	Thread (upper) Nipper Disc (outside).....
1698R	24482	Thread (upper) Nipper Disc (outside) Nut.....
59456	24482	Thread (upper) Nipper Disc (outside) Nut Washer.....
68133	24482	Thread (upper) Nipper Roller.....
68134	24482	Thread (upper) Nipper Roller Hinge Pin.....
68135	24482	Thread (upper) Nipper Stud.....
68136	Thread (upper) Nipper Stud 68135 with 68133 and 68134.....
131977	24482	Thread (upper) Nipper Stud Spring.....
68137	24482	Thread (upper) Nipper complete, Nos. 1698R, 59456, 68129, 68130, 68131, 68132, 68136 and 131977.....
68138	24482	Thread (upper) Nipper Thread Guide.....
207J	24482	Thread (upper) Nipper Thread Guide Screw.....
131334	24482	Thread (upper) Take-up.....
54095	24482	Thread (upper) Take-up Plate.....
68164	24482	Thread (upper) Take-up Plate Spring.....
1449J	24482	Thread (upper) Take-up Plate Spring Screw.....
131335	24482	Thread (upper) Take-up complete, Nos. 1449J, 54095, 68164 and 131334.....
211C	24474	Thread (upper) Take-up Set Screw.....
147557	24476	Throat Plate for 3/32 in. to 5/32 in. gauges, for 147556.....
147559	24476	Throat Plate for 3/16 in. to 3/8 in. gauges, for 147558.....
742F	24476	Throat Plate Screw (2).....

ACCESSORIES

No.	Plate	Name
120344	20691	Oiler (copper plated) with 120345.....
120345	20691	Oiler Spout, 4-1/2 in. long.....
120440	20691	Screw Driver (large).....
121108	20691	Screw Driver (small).....
120341	20691	Tweezers (curved).....
4822	20691	Wrench for 1547.....
8908	20691	Wrench for 1520.....
17905	20691	Wrench for 147-90 Machine.....
164197	20691	Wrench for 51715 (not regularly furnished).....

BELT GUARD

68222	20633	Belt Guard with two wood screws 1 in. No. 12.....
-------	-------	---

BENCH STANDS

BENCH STAND NO. 79772

FOR MACHINE BASE NO. 131264

WHEN MACHINE IS MOUNTED ON TOP OF TABLE.

79772	Bench Stand with 27998, two each 41538, 126849, three wood screws 1-1/4 in. No. 12, four each 60656, wood screws 1-1/4 in. No. 10, eight wood screws 5/8 in. No. 6 and sixteen wood screws 5/8 in. No. 7.....
126849	20691	Flap Hinge with four wood screws 3/4 in. No. 7 (2).....
27998	20691	Flap Hook and Eye (large) with wood screw 1/2 in. No. 5.....
126247	20691	Flush Bolt (2).....
126248	20691	Flush Bolt Plate (2).....
41538	Flush Bolt with Plate complete, Nos. 126247, 126248 and four brass wood screws 5/8 in. No. 4 (2).....
60656	20691	Hinge (4).....

BENCH STANDS

BENCH STAND NO. 135115

FOR MACHINE BASE NO. 131919

WHEN MACHINE IS MOUNTED SEMI-SUBMERGED

135115	Bench Stand with 27998, 60220 and four each 126849 with wood screws 5/8 in. No. 7 F.H. (in place of wood screws 3/4 in. No. 7 F.H.) and wood screws 1-1/2 in. No. 10 F.H.....
126849	20691	Flap Hinge with four wood screws 5/8 in. No. 7 F.H. (4).....
27998	20691	Flap Hook and Eye (large) with wood screw 1/2 in. No. 5.....
60220	Flap Hook and Eye (small) with wood screw 5/8 in. No. 4.....

FOOT LIFTER PARTS

No.	Plate	Name
6439		Chain, 36 in. to 45 in., with 56864 and 56865.....
NOTE: When ordering No. 6439, state length required.		
4879	20633	Chain Connecting Link.....
56864	20691	Chain Hook (large).....
56865	20691	Chain Hook (small).....
126249	20633	Treadle.....
4882	20633	Treadle Shaft.....
126250	20633	Treadle Spring.....
150451	20633	Treadle Stand.....
150452	20633	Treadle complete, Nos. 4879, 4882, 126249, 126250, 150451 and two wood screws 1 in. No. 16 F.H.....

KNEE LIFTER PARTS

FOR USE WHEN MACHINE IS MOUNTED ON TOP OF TABLE

37563		Chain, length 15 in., with 56864 and 56865.....
56864	20691	Chain Hook (large).....
56865	20691	Chain Hook (small).....
2763	20633	Rock Shaft.....
12242	20633	Rock Shaft Hanger with two wood screws 1 in. No. 10 (2).....
6335	20633	Rock Shaft Knee Arm.....
6336		Rock Shaft Knee Arm complete, Nos. 2766, 2767 and 6335.....
2766	20633	Rock Shaft Knee Arm Hub with 356C.....
356C	20633	Rock Shaft Knee Arm Hub Set Screw.....
2767	20633	Rock Shaft Knee Plate with 356C.....
356C	20633	Rock Shaft Knee Plate Set Screw.....
6337	20633	Rock Shaft Lifting Bracket with two 356C.....
7125	20633	Rock Shaft Lifting Bracket Hook.....
356C	20633	Rock Shaft Lifting Bracket Hook Set Screw.....
356C	20633	Rock Shaft Lifting Bracket Set Screw.....
2770	20633	Rock Shaft Stop Dog with 140219C.....
140219C	20633	Rock Shaft Stop Dog Set Screw.....
23767	20633	Rock Shaft complete, Nos. 2763, 2770, 6336, 6337, 7125 and two 12242.....

MACHINE BASES

MACHINE BASE NO. 131264

WHEN MACHINE IS MOUNTED ON TOP OF TABLE

FOR USE WITH BENCH STAND NO. 79772

131263	21038	Machine Base.....
54477	21038	Machine Base Screw Stud, to fasten base to table (3).....
131205	21038	Machine Base Screw Stud, to position machine on base (4).....
51576E	21038	Machine Base Screw Stud Nut (3).....
9842	21038	Machine Base Screw Stud Nut Washer (3).....
131022	21038	Machine Base Screw Stud Bushing (rubber) (4).....
131279	21038	Machine Cushion (felt) (4).....
131264	21038	Machine Base complete, Nos. 131263, three each 9842, 51576E, 54477 and four each 131205 and 131279.....
131328	21038	Machine Base and Oil Drain Jar (swinging type) complete, Nos. 131264 and 131268.....

MACHINE BASES

MACHINE BASE NO. 131919

WHEN MACHINE IS MOUNTED SEMI-SUBMERGED

FOR USE WITH BENCH STAND NO. 135115

No.	Plate	Name
131918	24468	Machine Base.....
140570R	24468	Machine Base Bolt with 1778R (4).....
1778R	24468	Machine Base Bolt Nut (4).....
126150	24468	Machine Base Bolt Nut Lock Washer (4).....
151141	24468	Machine Base Bolt complete, to fasten base to table, Nos. 126150 and 140570R (4).....
131205	24468	Machine Base Screw Stud, to position machine on base (4).....
131022	21038	Machine Base Screw Stud Bushing (rubber) (4).....
131279	24468	Machine Cushion (felt) (4).....
131919	24468	Machine Base complete, Nos. 131918 and four each 131205, 131279 and 151141.....
131920	24468	Machine Base and Oil Drain Jar (swinging type) complete, for semi-submerged mounting, Nos. 131268 and 131919.....

MACHINE BASE OIL DRAIN JAR

(Swinging Type)

131961	21038	Jar (glass).....
131962	21038	Jar Cap.....
131188	21038	Jar Clamp.....
131217		Jar Clamp 131188 with 131189.....
131189	21038	Jar Clamp Lever.....
1247C	21038	Jar Clamp Lever Hinge Screw (2).....
131265	21038	Nipple (long) (2).....
131266	21038	Nipple (short).....
131267	21038	Nipple Elbow (2).....
131268	21038	Machine Base Oil Drain Jar (swinging type) complete, Nos. 131217, 131266, 131961, 131962 and two each 1247C, 131265 and 131267.....

THREAD UNWINDERS

THREAD UNWINDER

(For two Spools)

FOR NO. 147-90 MACHINE

228692		Spool Pin (2).....
201528X		Spool Pin Nut (2).....
228693		Spool Pin Washer (2).....
225257	24485	Spool Rest (for two spools) with 201018C and two each 201528X, 228692 and 228693.....
150203	24485	Spool Rest Cushion (felt) (2).....
225388	24485	Spool Rest Rod.....
200383C	24485	Spool Rest Rod Set Screw.....
201018C	24485	Spool Rest Set Screw.....
259658	24485	Spool Stand with 200383C.....
225391	24485	Thread Guide (2).....
201696J	24485	Thread Guide Lock Nut.....
225326	24485	Thread Guide Position Cup.....
225324	24485	Thread Guide Rod with 208AL and 225322.....

THREAD UNWINDERS

No.	Plate	Name
208AL	24485	Thread Guide Rod Screw.....
225322	24485	Thread Guide Rod Washer.....
150086	24485	Thread Separator.....
150060	24485	Thread Separator Bracket Arm with 164J and 9525.....
164J	24485	Thread Separator Bracket Arm Clamping Screw.....
9525	24485	Thread Separator Bracket Arm Clamping Screw Washer.....
164J	24485	Thread Separator Bracket Arm Screw.....
9525	24485	Thread Separator Bracket Arm Screw Washer.....
150087	Thread Separator complete, Nos. 164J, 9525, 150060 and 150086.....
150088	24485	Thread Unwinder complete, Nos. 150087, 201696J, 225257, 225324, 225326, 225388, 259658, two each 150203, 225391 and three wood screws 7/8 in. No. 12.....
27739	24485	Thread Cone (wood) for large cones.....
225390	24485	Thread Cone Holder, for inverted cones.....

NOTE: Nos. 27739 and 225390 are used with, but not included in 150088.

THREAD UNWINDER

(For four Spools)

FOR NO. 147-115 MACHINE

228692	Spool Pin (4).....
201528X	Spool Pin Nut (4).....
228693	Spool Pin Washer (4).....
225257	24486	Spool Rest (for two spools) with 201018C and two each 201528X, 228692 and 228693 (2).....
150203	24486	Spool Rest Cushion (felt) (4).....
225388	24486	Spool Rest Rod.....
200383C	24486	Spool Rest Rod Set Screw.....
201018C	24486	Spool Rest Set Screw (2).....
259658	24486	Spool Stand with 200383C.....
225391	24486	Thread Guide (4).....
201696J	24486	Thread Guide Lock Nut.....
225326	24486	Thread Guide Position Cup.....
225324	24486	Thread Guide Rod with 208AL and 225322.....
208AL	24486	Thread Guide Rod Screw.....
225322	24486	Thread Guide Rod Washer.....
150058	24486	Thread Separator.....
150060	24486	Thread Separator Bracket Arm with 164J and 9525.....
164J	24486	Thread Separator Bracket Arm Clamping Screw.....
9525	24486	Thread Separator Bracket Arm Clamping Screw Washer.....
164J	24486	Thread Separator Bracket Arm Screw.....
9525	24486	Thread Separator Bracket Arm Screw Washer.....
150061	Thread Separator complete, Nos. 164J, 9525, 150058 and 150060.....
150062	24486	Thread Unwinder complete, Nos. 150061, 201696J, 225324, 225326, 225388, 259658, two 225257, three wood screws 7/8 in. No. 12 and four each 150203 and 225391.....
27739	24486	Thread Cone (wood) for large cones.....
225390	24486	Thread Cone Holder, for inverted cones.....

NOTE: Nos. 27739 and 225390 are used with, but not included in 150062.

NUMERICAL LIST OF PARTS

No.	Plate	Name
41F	20746	Feed (upper) Rock Shaft Pitman Hinge Screw.....
129E	20746	Feed (upper) Rock Shaft Pitman Crank Shaft Bracket Screw.....
142W	24473	Face Plate Screw.....
144D	24470	Arm Rotary Shaft Screw.....
161J	24477	Lifting Presser Bar Lifting Lever Extension Screw.....
164J	24485	Thread Unwinder Thread Separator Bracket Arm Clamping Screw for 150060.....
164J	24485	Thread Unwinder Thread Separator Bracket Arm Screw for 150061 and 150087.....
171AL	24481	Slack Thread Regulator Holder Crank Clamping Screw for 131405.....
175E	24479	Looper Carrier Adjusting Screw for 54027.....
175AL	24479	Looper Carrier Driver Cap Screw for 68479.....
176J	24476	Needle Guard (stationary) Holder Screw for No. 147-115 Machine.....
176E	24487	Oil Pipe (back of arm) Clamping Screw.....
176J	24483	Thread (under) Nipper Spring Stop Screw.....
190J	20746	Feed (lower) Bar Feed Dog Seat Screw for 131942.....
190J	24475	Lifting Presser Foot Screw.....
190J	24481	Slack Thread Controller Clamp Screw.....
190J	24477	Thread (under) Eyelet (back) Screw.....
190J	24483	Thread (under) Take-up Staple Spring Screw.....
198E	24487	Oil Pipe (back of arm) Connection Cap Screw for 68494.....
198E	24487	Oil Pipe (front of arm) Connection Cap Screw for 131002, 131003 and 131084.....
203J	24475	Feeding Foot Screw.....
205C	24470	Arm Rotary Shaft Ball Bearing (back) Case Cap Screw for 131479.....
207E	20746	Feed (lower) Bar Wearing Plate Screw for 131942.....
207J	24483	Thread (under) Take-up Stripper Screw.....
207J	24481	Thread (upper) Nipper Thread Guide Screw.....
208AL	24485	Thread Unwinder Thread Guide Rod Screw for 225324.....
211C	24473	Thread (upper) Take-up Set Screw for 131400.....
217J	24470	Feed (lower) Eccentric Clamping Washer Screw for 54025.....
217J	24470	Feed (upper) Eccentric Clamping Washer Screw for 54456.....
217C	24476	Needle Guard (stationary) Screw for No. 147-115 Machine.....
217J	24481	Slack Thread Regulator Screw.....
229J	24475	Looper Needle Guard Screw for 53203.....
316C	24477	Tension (upper thread) Releasing Shaft Stop Screw.....
356C	20633	Knee Lifter Rock Shaft Knee Arm Hub Set Screw for 2766.....
356C	20633	Knee Lifter Rock Shaft Knee Plate Set Screw for 2767.....
356C	20633	Knee Lifter Rock Shaft Lifting Bracket Hook Set Screw for 6337.....
356C	20633	Knee Lifter Rock Shaft Lifting Bracket Set Screw for 6337.....
389F	24471	Cloth Plate Thread Guard Screw (lower).....
423AL	20711	Arm Rock Shaft Bushing (intermediate) Set Screw.....
429C	24470	Arm Rotary Shaft Ball Bearing (back) Case Set Screw.....
443AL	24479	Looper Carrier Connection Shaft Bushing Set Screw for 131882.....
443AL	24487	Oil Pipe (back of arm) Clamping Plate Bracket Screw.....
446AL	20711	Arm Rock Shaft Bushing (back) Set Screw.....
452AL	24480	Looper (back) Set Screw for 131052.....
453AL	20711	Arm Rock Shaft Flanged Bushing (front) Set Screw.....
453AL	20746	Feed (lower) Rocking Frame Hinge Pin Bushing Set Screw.....
453AL	20746	Feed (lower) Rocking Frame Hinge Pin Set Screw for 131240.....
453AL	24473	Lifting Presser Bar Lifting Bracket Guide Set Screw.....
453AL	24473	Lifting Presser Bar Lifting Bracket Set Screw for 131630.....
457AL	24470	Arm Rotary Shaft Ball Bearing (intermediate) Collar Set Screw for 131482.....

NUMERICAL LIST OF PARTS

No.	Plate	Name
460AL	20746	Feed Dog Stop Screw for 131730.....
460AL	24483	Thread (under) Take-up Thread Guard Steady Pin Set Screw for 54049.....
465AL	20746	Feed (upper) Rock Shaft Collar Set Screw for 54369.....
465AL	24470	Thread (under) Nipper Cam Screw for 131970.....
465AL	24470	Thread (under) Take-up Set Screw for 38475.....
574W	24469	Pressure Regulating Thumb Screw.....
590J	24483	Thread (under) Take-up Staple Thread Guard Screw for 38478 and 54435.....
624AL	24477	Tension (upper thread) Releasing Shaft Crank Set Screw for 54047.....
640E	24470	Looper Driving Shaft and Feed Lifting Eccentric Screw for 147508.....
665J	24471	Cloth Plate Slide (left) Spring Screw for 131051.....
665J	24471	Cloth Plate Slide (right) Position Spring Screw for 131924.....
665J	24471	Cloth Plate Slide (right) Spring Screw for 131608 and 131924.....
691AL	24477	Tension (under thread) Bracket Screw.....
735AL	20746	Feed (lower) Bar Hinge Pin Collar Set Screw for 59343.....
742F	24475	Throat Plate Screw.....
761E	24470	Arm Rotary Shaft Bushing (front) Set Screw.....
761E	24470	Looper Driving Shaft and Feed Lifting Eccentric Bushing Position Screw for 68483.....
802X	24477	Lifting Presser Bar Lifting Lever Hinge Screw.....
853AL	20711	Needle Bar Connecting Link Hinge Stud Set Screw for 131733.....
857AL	24473	Needle Set Screw for 131739.....
861C	24473	Needle Bar Connecting Link Hinge Stud Oil Plug Screw.....
896AL	24470	Feed (lower) Connecting Rod Cap Screw for 131500.....
896AL	24470	Feed (upper) Connecting Rod Cap Screw for 131500.....
914J	20711	Feed (upper) Lifting Regulator Connection Sleeve Slide Block Clamping Washer Screw for 131734.....
965D	24483	Thread (under) Take-up Staple Bracket Screw.....
1011F	24471	Cloth Plate Screw (left).....
1057AL	24469	Arm Bottom Cover Screw.....
1057AL	24469	Arm Side Cover Screw.....
1057AL	24470	Crank Connecting Rod Cap (upper) Screw for 131926.....
1057AL	24470	Feed (lower) Connecting Rod Clamping Screw for 131500.....
1057AL	24470	Feed (upper) Connecting Rod Clamping Screw for 131500.....
1057AL	24473	Feed (upper) Rock Shaft Crank (front) Clamping Screw for 52595.....
1103C	24470	Feed (lower) Regulating Screw for 54025.....
1103C	24470	Feed (upper) Regulating Screw for 54456.....
1120AL	24480	Looper (front) Set Screw for 131052.....
1120AL	24479	Looper Set Screw for 54035.....
1133E	24473	Lifting Presser Bar Bushing (lower) Set Screw.....
1133E	24473	Lifting Presser Bar Bushing (upper) Set Screw.....
1133E	24473	Needle Bar Bushing (lower) Set Screw.....
1133E	24473	Needle Bar Bushing (upper) Set Screw.....
1149AL	24481	Thread (upper) Nipper Body Set Screw.....
1194C	24473	Feed (upper) Bell Crank Connecting Link Hinge Screw for 131691.....
1247C	21038	Machine Base Oil Drain Jar Clamp Lever Hinge Screw for 131268.....
1289X	24469	Arm Side Cover Cap Screw for 131911.....
1304C	24470	Arm Rotary Shaft Ball Bearing (intermediate) Case Set Screw.....
1309C	20711	Arm Rock Shaft Adjusting Screw.....
1423W	24473	Feed (upper) Bar Cap Screw for 131691.....
1423W	24473	Feed (upper) Bar Connecting Link (lower) Cap Screw for 131691.....
1423W	24473	Feed (upper) Bar Connecting Link (upper) Cap Screw for 131691.....

NUMERICAL LIST OF PARTS

No.	Plate	Name
1423W	24473	Feed (upper) Bell Crank Cap Screw for 131691.....
1423W	24473	Feed (upper) Bell Crank Connecting Link Cap Screw for 131691.....
1423J	24481	Slack Thread Regulator Holder Crank Cap Screw.....
1449J	24481	Thread (upper) Take-up Plate Spring Screw for 131333 and 131335.....
1492E	24473	Needle Bar Connecting Stud Clamping Screw for 131400.....
1498AL	24474	Needle Set Screw for 131044.....
1520J	20746	Feed (upper) Rock Shaft Pitman Hinge Screw Nut.....
1520J	24473	Needle Bar Connecting Link Hinge Stud Nut.....
1520J	24487	Oil Pipe (back of arm) Clamping Plate Bracket Screw Lock Nut.....
1539W	24469	Pressure Regulating Thumb Screw Lock Nut.....
1547J	24477	Tension (upper thread) Releasing Shaft Stop Screw Nut.....
1698R	24481	Thread (upper) Nipper Disc (outside) Nut for 68137.....
1733	24487	Oil Pipe (back of arm) Coupling Nut (brass).....
1733	24487	Oil Pipe (front of arm) Coupling Nut (brass) for 68500 and 131637.....
1749C	24473	Feed (upper) Bell Crank Connecting Link Hinge Screw Nut for 131691.....
1778R	24468	Machine Base Bolt Nut for 140570R.....
2102	24477	Tension (under thread) Disc.....
2102	24477	Tension (upper thread) Disc.....
2763	20633	Knee Lifter Rock Shaft for 23767.....
2766	20633	Knee Lifter Rock Shaft Knee Arm Hub with 356C, for 6336.....
2767	20633	Knee Lifter Rock Shaft Knee Plate with 356C, for 6336.....
2770	20633	Knee Lifter Rock Shaft Stop Dog with 140219C, for 23767.....
4822	20691	Wrench for 1527 (Accessories).....
4879	20633	Foot Lifter Chain Connecting Link for 150452.....
4882	20633	Foot Lifter Treadle Shaft for 150452.....
6335	20633	Knee Lifter Rock Shaft Knee Arm for 6336.....
6336	20633	Knee Lifter Rock Shaft Knee Arm complete, for 23767, Nos. 2766, 2767 and 6335.....
6337	20633	Knee Lifter Rock Shaft Lifting Bracket with two 356C, for 23767.....
6439	Foot Lifter Chain, 36 in. to 45 in. with 56864 and 56865.....
		NOTE: When ordering No. 6439, state length required.
7071	24470	Feed (lower) Eccentric Clamping Washer for 54025.....
7071	24470	Feed (upper) Eccentric Clamping Washer for 54456.....
7125	20633	Knee Lifter Rock Shaft Lifting Bracket Hook for 23767.....
8908	20691	Wrench for 1520 (Accessories).....
9525	24473	Feed (upper) Bell Crank Connecting Link Hinge Screw Nut Washer for 131691.....
9525	24485	Thread Unwinder Thread Separator Bracket Arm Clamping Screw Washer for 150060.....
9525	24485	Thread Unwinder Thread Separator Bracket Arm Screw Washer for 150061 and 150087.....
9842	21038	Machine Base Screw Stud Nut Washer for 131264.....
11119	20711	Arm Oil Tube with 52045, for oiling Thread (upper) Nipper.....
12242	20633	Knee Lifter Rock Shaft Hanger with two wood screws 1 in. No. 10, for 23767.....
17905	20691	Wrench for 147-90 Machine (Accessories).....
22436	20746	Feed (lower) Bar Feed Dog Seat Screw Washer for 131942.....
23767	20633	Knee Lifter Rock Shaft complete, Nos. 2763, 2770, 6336, 6337, 7125 and two 12242.....
25618	Guide for No. 147-90 Machine.....
27739	24485	Thread Unwinder Thread Cone (wood) for large cones.....
27998	20691	NOTE: No. 27739 is used with, but not included in 150062 or 150088. Bench Stand Flap Hook and Eye (large) with wood screw 1/2 in. No. 5, for 79772 and 135115.....
32572	24477	Tension (upper thread) Releasing Disc.....

NUMERICAL LIST OF PARTS

No.	Plate	Name
37563		Knee Lifter Chain, length 15 in., with 56864 and 56865
38210	24483	Thread (under) Nipper Spring (lower)
38211	24483	Thread (under) Nipper Spring (upper)
38284	24483	Thread (under) Eyelet (front) for No. 147-90 Machine
38467	24469	Lifting Presser Bar Spring (flat)
38468	24469	Lifting Presser Bar Spring Stud
38475	24470	Thread (under) Take-up with 465AL
38478	24483	Thread (under) Take-up Staple with two each 590J and 38481, for No. 147-90 Machine
38481	24483	Thread (under) Take-up Staple Thread Guard for 38478 and 54435
38482	24483	Thread (under) Take-up Stripper
41538		Bench Stand Flush Bolt with Plate complete, for 79772, Nos. 126247, 126248 and four brass wood screws 5/8 in. No. 4
42365	20711	Arm Rock Shaft Oil Pad for oiling Back Bearing
42367	24470	Arm Rotary Shaft Front Bearing Oil Pad (lower)
46041	24483	Thread (under) Take-up Staple Spring
46105	24475	Looper Needle Guard Pin for 52661
46247	24483	Thread (under) Nipper Spring Stop
49092	24471	Cloth Plate Oil Tube Packing (felt) for 54309
50073J	24476	Feed Dog Screw for No. 147-115 Machine
50200C	24473	Feed (upper) Bell Crank Connecting Stud Set Screw for 127946
50200C	20746	Feed (upper) Rock Shaft Crank (back) Set Screw for 54156
50200C	20746	Feed (upper) Rock Shaft Pitman Crank Set Screw for 131625
50326C	24477	Tension (under thread) Screw Stud for 59539
50326C	24477	Tension (upper thread) Screw Stud for 59539
50391C	20711	Feed (upper) Lifting Regulator Connection Sleeve Slide Block Regulating Screw for 131734
50396F	24471	Cloth Plate Screw (right)
50473F	24471	Cloth Plate Thread Guard Screw (upper)
50597C	24479	Looper Carrier Connection Shaft Bushing Collar Position Screw Stud for 131882
50608R	24469	Arm Hole Plug Screw, for access to Crank Connecting Rod (upper bearing)
51061AL	24470	Feed (lower) Eccentric Body Set Screw for 54025
51061AL	24470	Feed (upper) Eccentric Body Set Screw for 54456
51119J	24479	Looper Holder Screw
51224W		Guide Thumb Screw for No. 147-90 Machine
51263D	24479	Looper Carrier Connection Shaft Bushing Cap Screw
51283AL	24470	Machine Driving Pulley Set Screw for 131914
51407AL	24470	Arm Rock Shaft Crank (back) Set Screw for 131486
51422J	24470	Looper Driving Shaft and Feed Lifting Eccentric Bracket Screw for 131601
51570C	24477	Tension (under thread) Regulating Thumb Nut for 59539
51570C	24477	Tension (upper thread) Regulating Thumb Nut for 59539
51576E	21038	Machine Base Screw Stud Nut for 131264
51715AL	24470	Crank Connecting Rod Cap (lower) Screw Stud Nut for 131926
52045	20711	Arm Oil Tube Packing (wick) for 11119 and 56003
52535	24476	Lifting Presser Foot for No. 147-115 Machine
52595	24473	Feed (upper) Rock Shaft Crank (front) with 1057AL, for 131691
52596	24476	Feeding Foot for No. 147-115 Machine
52661	24475	Looper Needle Guard with 46105, for 53203
53202	24475	Looper for 53203
53203	24475	Looper 53202 with 229J and 52661, for No. 147-90 Machine
53225	24477	Thread (under) Eyelet (back)
54025	24470	Feed (lower) Eccentric (adjustable) complete, for 131502, Nos. 1103C, 138306, two each 217J, 7071 and three 51061AL

NUMERICAL LIST OF PARTS

No.	Plate	Name
54027	24479	Looper Carrier with two 175E
54035	24479	Looper Holder with 1120AL, for No. 147-90 Machine
54038	24476	Needle Guard (stationary) Holder for No. 147-115 Machine
54045	24477	Tension (upper thread) Bracket for No. 147-90 Machine
54046	24477	Tension (upper thread) Releasing Shaft for No. 147-90 Machine
54047	24477	Tension (upper thread) Releasing Shaft Crank with 624AL
54048	24477	Tension (upper thread) Releasing Shaft Crank Link
54049	24483	Thread (under) Take-up Staple Bracket with 466AL
54068	24476	Needle Guard (stationary) for No. 147-115 Machine
54070	24478	Tension (upper thread) Bracket for No. 147-115 Machine
54071	24478	Tension (upper thread) Releasing Shaft for No. 147-115 Machine
54072	24484	Thread (under) Eyelet (front) for No. 147-115 Machine
54095	24482	Thread (upper) Take-up Plate for 131335
54143	24473	Feed (upper) Bar Connecting Link (lower) for 131691
54144	24473	Feed (upper) Bell Crank for 131691
54145	24473	Feed (upper) Bar Connecting Link (upper) for 131691
54150	24473	Feed (upper) Bell Crank Connecting Link for 131691
54155	20746	Feed (upper) Rock Shaft
54156	20746	Feed (upper) Rock Shaft Crank (back) with two 50200C
54158	24475	Feeding Foot Hinge Pin for 54161
54159	24475	Feeding Foot Plate for 54161
54160	24475	Feeding Foot Shank for 54161
54161	24475	Feeding Foot (hinged) complete, for No. 147-90 Machine, Nos. 54158, 54159 and 54160
54162	24473	Lifting Presser Bar Bushing (upper)
54194	24481	Thread (upper) Take-up Plate for 131333
54209	24471	Cloth Plate Slide (right) Position Spring for 131924
54214	24475	Lifting Presser Foot for No. 147-90 Machine
54215	24475	Throat Plate for use with 131854, for No. 147-90 Machine
54218	24470	Arm Rotary Shaft Front Bearing Oil Pad (upper)
54227	24479	Looper Carrier Connection for 147507
54228	24479	Looper Carrier Connection Shaft for 147507
54242	24481	Slack Thread Controller Clamp
54309	24471	Cloth Plate Oil Tube with 49092, for 131606
54369	20746	Feed (upper) Rock Shaft Collar with two 465AL
54435	24484	Thread (under) Take-up Staple with 590J and 38481, for No. 147-115 Machine
54456	24470	Feed (upper) Eccentric (adjustable) complete, for 131617, Nos. 1103C, 138306, two each 217J, 7071 and three 51061AL
54477	21038	Machine Base Screw Stud, to fasten base to table, for 131264
54969	20711	Arm Rock Shaft Oil Pad for oiling Intermediate Bearing
54988	24477	Tension (upper thread) Releasing Pin
56003	20711	Arm Oil Tube with 52045, for oiling Feed (upper) Bell Crank Connection Sleeve
56864	20691	Foot Lifter Chain Hook (large) for 6439
56864	20691	Knee Lifter Chain Hook (large) for 37563
56865	20691	Foot Lifter Chain Hook (small) for 6439
56865	20691	Knee Lifter Chain Hook (small) for 37563
57234	20746	Feed (lower) Rocking Frame Hinge Pin
57235	20746	Feed (lower) Rocking Frame Hinge Pin Bushing
57255	24473	Lifting Presser Bar
59343	20746	Feed (lower) Bar Hinge Pin Collar with 735AL, for 131945
59456	24481	Thread (upper) Nipper Disc (outside) Nut Washer for 68137
59537	24477	Tension (under thread) Spring Bushing (large)
59537	24477	Tension (upper thread) Spring Bushing (large)
59538	24477	Tension (under thread) Spring Bushing (small)
59538	24477	Tension (upper thread) Spring Bushing (small)

NUMERICAL LIST OF PARTS

No.	Plate	Name
59539		Tension (under thread) Screw Stud 50326C with 51570C.....
59539		Tension (upper thread) Screw Stud 50326C with 51570C.....
60220		Bench Stand Flap Hook and Eye (small) with wood screw 5/8 in. No. 4, for 135115.....
60656	20691	Bench Stand Hinge for 79772.....
64319	24474	Needle Bar (hollow) for 131045.....
64356	24483	Thread (under) Take-up Thread Guard Steady Pin.....
68123		Needle Guard (movable) Clamp for No. 147-90 Machine.....
68129	24481	Thread (upper) Nipper Body for 68137.....
68130	24481	Thread (upper) Nipper Disc (inside) for 68137.....
68131	24481	Thread (upper) Nipper Disc (inside) Washer (fiber) for 68137.....
68132	24481	Thread (upper) Nipper Disc (outside) for 68137.....
68133	24481	Thread (upper) Nipper Roller for 68136.....
68134	24481	Thread (upper) Nipper Roller Hinge Pin for 68136.....
68135	24481	Thread (upper) Nipper Stud for 68136.....
68136		Thread (upper) Nipper Stud 68135 with 68133 and 68134, for 68137.....
68137	24481	Thread (upper) Nipper complete, Nos. 1698R, 59456, 68129, 68130, 68131, 68132, 68136 and 131977.....
68138	24481	Thread (upper) Nipper Thread Guide.....
68164	24481	Thread (upper) Take-up Plate Spring for 131333 and 131335.....
68184	24477	Lifting Presser Bar Lifting Lever Extension.....
68187	24473	Needle Bar Bushing (upper).....
68222	20633	Belt Guard with two wood screws 1 in. No. 12.....
68261	24477	Tension (upper thread) Releasing Shaft Spring.....
68350	20711	Arm Oil Cup, for oiling Arm Rock Shaft Front Bearing.....
68368	24471	Cloth Plate Slide (left) for 131051.....
68428	24469	Arm Bottom Cover.....
68429	24469	Arm Bottom Cover Gasket (cork).....
68433	20711	Arm Rock Shaft Bushing (back).....
68435	20711	Arm Rock Shaft Bushing (back) Cap.....
68436	20711	Arm Rock Shaft Bushing (intermediate).....
68448	24469	Arm Side Cover Gasket (victorite).....
68467	20746	Feed (lower) Bar Wearing Plate for 131942.....
68478	24479	Looper Carrier Connection Shaft Bushing.....
68479	24479	Looper Carrier Driver with four 175AL, for 147507.....
68483		Looper Driving Shaft and Feed Lifting Eccentric Bracket with 761E, for 131601.....
68488	24473	Needle Bar Connecting Link and Thread (upper) Controller for 131399.....
68489	24473	Needle Bar Connecting Link Hinge Stud (hollow) for 131399.....
68494	24487	Oil Pipe (back of arm) Connection with 68495 and two 198E, for oiling Feed (lower) Rocking Frame Hinge Pin Back Bearing and Feed (upper) Rock Shaft Pitman Crank Shaft.....
68495	20746	Feed (lower) Bar Slide Block Oil Pad (wick) for 131944.....
68495	24487	Oil Pipe (back of arm) Connection Oil Pad (wick) for 68494.....
68496	24487	Oil Pipe (back of arm) Coupling.....
68497	24470	Feed (lower) Connecting Rod Oil Pad (wick) for 131500.....
68497	24470	Feed (upper) Connecting Rod Oil Pad (wick) for 131500.....
68497		Looper Driving Shaft and Feed Lifting Eccentric Front Bearing Oil Pad (wick).....
68497	24487	Oil Pipe (back of arm) Oil Pad (wick) for 131636.....
68497	24487	Oil Pipe (front of arm) Oil Pad (wick) for 131112 and 131113.....
68500	24487	Oil Pipe (front of arm) with 1733, 131084 and 131089, for oiling Arm Rotary Shaft Front Bearing, for 131638.....

NUMERICAL LIST OF PARTS

No.	Plate	Name
79772		Bench Stand with 27998, two each 41538, 126849, three wood screws 1-1/4 in. No. 12, four each 60656, wood screws 1-1/4 in. No. 10, eight wood screws 5/8 in. No. 6 and sixteen wood screws 5/8 in. No. 7, for use with Machine Base No. 131264, when machine is mounted on top of table.....
120341	20691	Tweezers (curved) Accessories.....
120344	20691	Oiler (copper plated) with 120345 (Accessories).....
120345	20691	Oiler Spout, 4-1/2 in. long, for 120344.....
120440	20691	Screw Driver (large) Accessories.....
121108	20691	Screw Driver (small) Accessories.....
126150	24468	Machine Base Bolt Nut Lock Washer for 151141.....
126247	20691	Bench Stand Flush Bolt for 41538.....
126248	20691	Bench Stand Flush Bolt Plate for 41538.....
126249	20633	Foot Lifter Treadle for 150452.....
126250	20633	Foot Lifter Treadle Spring for 150452.....
126849	20691	Bench Stand Flap Hinge with four wood screws 3/4 in. No. 7, for 79772.....
126849	20691	Bench Stand Flap Hinge with four wood screws 5/8 in. No. 7 F.H. for 135115.....
127946	24473	Feed (upper) Bell Crank Connecting Stud with 50200C, for 131691.....
128419	24479	Looper Carrier Connection Shaft Oil Pad (braided cotton).....
131002	24487	Oil Pipe (front of arm) Connection with two 198E, for oiling Looper Carrier Connection Shaft.....
131003	24487	Oil Pipe (front of arm) Connection with two 198E, for 131112 and 131113.....
131004	24487	Oil Pipe (front of arm) Coupling (center).....
131004	24487	Oil Pipe (front of arm) Coupling (left).....
131011	24477	Tension (upper thread) Releasing Shaft Spring Position Plate.....
131012	24477	Tension (under thread) Bracket.....
131022	21038	Machine Base Screw Stud Bushing (rubber) for 131601.....
131025	24481	Slack Thread Controller.....
131028	24479	Looper Driving Shaft and Feed Lifting Eccentric Bushing Oil Plug.....
131044	24474	Needle Clamp with two 1498AL, for 131045.....
131045		Needle Bar complete, for No. 147-115 Machine, Nos. 64319 and 131044.....
131050	24471	Cloth Plate Slide (left) Spring for 131051.....
131051	24471	Cloth Plate Slide (left) complete, for 131609 and 131925, Nos. 68368, 131050 and two 665J.....
131052	24480	Looper Holder with 452AL and 1120AL, for No. 147-115 Machine.....
131056	20711	Arm Rock Shaft Adjusting Screw Washer.....
131084	24487	Oil Pipe (front of arm) Connection with two 198E, for 68500.....
131087	24487	Oil Pipe (front of arm) Coupling (right) with Oil Lead.....
131089	24487	Oil Pipe (front of arm) Oil Pad (wick) for 68500 and 131637.....
131095	20711	Arm Rock Shaft Bushing (back) Cap Washer (fiber).....
131112	24487	Oil Pipe (front of arm) with 68497 and 131003, for oiling Feed (lower) Bar Slide Block, for 131638.....
131113	24487	Oil Pipe (front of arm) with 68497 and 131003, for oiling Feed (lower) Connecting Rod, for 131638.....
131113	24487	Oil Pipe (front of arm) with 68497 and 131003, for oiling Feed (upper) Connecting Rod, for 131638.....
131188	21038	Machine Base Oil Drain Jar Clamp for 131217.....
131189	21038	Machine Base Oil Drain Jar Clamp Lever for 131217.....
131197	20746	Feed (lower) Bar Hinge Pin (eccentric) for 131945.....
131198	24469	Lifting Presser Bar Spring (auxiliary).....
131205	21038	Machine Base Screw Stud, to position machine on base, for 131264 and 131919.....

NUMERICAL LIST OF PARTS

No.	Plate	Name
131217	Machine Base Oil Drain Jar Clamp 131188 with 131189, for 131268
131240	20746	Feed (lower) Rocking Frame with two 453AL, for 131945
131263	21038	Machine Base for 131264
131264	21038	Machine Base complete, for 131328, Nos. 131263, three each 9842, 51576E, 54477 and four each 131205 and 131279
131265	21038	Machine Base Oil Drain Jar Nipple (long) for 131268
131266	21038	Machine Base Oil Drain Jar Nipple (short) for 131268
131267	21038	Machine Base Oil Drain Jar Nipple Elbow for 131268
131268	21038	Machine Base Oil Drain Jar (swinging type) complete, for 131328 and 131920, Nos. 131217, 131266, 131961, 131962 and two each 1247C, 131265 and 131267
131270	24473	Needle Bar Connecting Link Hinge Stud Oil Pad (wick)
131276	24469	Arm Side Cover (oil vent) for 131911
131279	21038	Machine Cushion (felt) for 131264 and 131919
131280	24469	Arm Side Cover Cap Position Pin for 131911
131291	24473	Needle Bar Bushing (lower)
131316	24475	Needle Guard (movable) for No. 147-90 Machine
131319	20711	Arm Oil Cup Oil Pad for 68350
131328	21038	Machine Base and Oil Drain Jar (swinging type) complete, for use when machine is mounted on top of table, for use with Bench Stand No. 79772, Nos. 131264 and 131268
131332	24481	Thread (upper) Take-up for 131333
131333	24481	Thread (upper) Take-up complete, for No. 147-90 Machine, Nos. 1449J, 54194, 68164 and 131332
131334	24482	Thread (upper) Take-up for 131335
131335	24482	Thread (upper) Take-up complete, for No. 147-115 Machine, Nos. 1449J, 54095, 68164 and 131334
131366	24470	Arm Rotary Shaft Ball Bearing (back) for 131526
131366	24470	Arm Rotary Shaft Ball Bearing (intermediate)
131369	24470	Arm Rotary Shaft Ball Bearing (back) Case Cap for 131479
131370	24470	Arm Rotary Shaft Ball Bearing (back) Case Position Stud
131381	24471	Cloth Plate Slide (right) Spring for 131608 and 131924
131399	Needle Bar Connecting Link and Thread (upper) Controller 68488 with 68489 and 131400
131400	24473	Needle Bar Connecting Stud with 211C and 1492E, for 131399
131404	24481	Slack Thread Regulator Holder
131405	24481	Slack Thread Regulator Holder Crank with 171AL
131425	24476	Looper (back) for No. 147-115 Machine
		NOTE: When ordering No. 131425, state gauge of machine for which required.
131426	24476	Looper (front) for No. 147-115 Machine
		NOTE: When ordering No. 131426, state gauge of machine for which required.
131456	20711	Arm Rock Shaft Flanged Bushing (front)
131457	24470	Arm Rotary Shaft Bushing (front)
131478	24470	Arm Rotary Shaft Ball Bearing (back) Case for 131479
131479	Arm Rotary Shaft Ball Bearing (back) Case 131478 with 131369 and three 205C, for 131526
131480	24470	Arm Rotary Shaft Ball Bearing (back) Spacing Collar for 131526
131481	24470	Arm Rotary Shaft Ball Bearing (intermediate) Case
131482	24470	Arm Rotary Shaft Ball Bearing (intermediate) Collar with two 457AL
131486	24470	Arm Rock Shaft Crank, back (ball bearing, solid) with two 51407AL, for 131931
131487	24470	Arm Rotary Shaft for 147508
		NOTE: When No. 131487 is required for repairs, the Looper Driving Shaft and Feed Lifting Eccentric must be returned to the factory to be adjusted to the new part.

NUMERICAL LIST OF PARTS

No.	Plate	Name
131500	24470	Feed (lower) Connecting Rod with 1057AL, 68497, 134260 and two 896AL, for 131502
131500	24470	Feed (upper) Connecting Rod with 1057AL, 68497, 134260 and two 896AL, for 131617
131502	Feed (lower) Connecting Rod 131500 with 54025, for 147508
131526	Arm Rotary Shaft Ball Bearing (back) Case with Ball Bearings complete, Nos. 131479, 131480 and two 131366
*131601	Arm, upper and lower (solid) with 51422J, 68483 and four 131022
131606	24471	Cloth Plate with 54309, for 131609 and 131925
131607	24472	Cloth Plate Slide (right) for 131608
131608	24472	Cloth Plate Slide (right) complete, for 131609, Nos. 131381, 131607 and two 665J
131609	24472	Cloth Plate complete, for No. 147-115 Machine, Nos. 131051, 131606 and 131608
131610	24471	Cloth Plate Thread Guard
131613	24473	Feed (upper) Bar for 131691
131615	24473	Feed (upper) Bar Connecting Bracket for 131691
131617	Feed (upper) Connecting Rod 131500 with 54456, for 147508
131618	20746	Feed (upper) Connecting Rod Crank with two 140123AL
131619	20746	Feed (upper) Connecting Rod Hinge Stud
131622	24473	Feed (upper) Lifting Regulator Connection Sleeve
131624	20746	Feed (upper) Rock Shaft Pitman
131625	20746	Feed (upper) Rock Shaft Pitman Crank with two 50200C
131626	20746	Feed (upper) Rock Shaft Pitman Crank Shaft
131627	20746	Feed (upper) Rock Shaft Pitman Crank Shaft Bracket
131629	24473	Lifting Presser Bar Bushing (lower)
131630	24473	Lifting Presser Bar Lifting Bracket with 453AL
131631	24473	Lifting Presser Bar Lifting Bracket Guide
131632	24477	Lifting Presser Bar Lifting Lever
131636	24487	Oil Pipe (back of arm) with 68497, for oiling Feed (lower) Rocking Frame Hinge Pin Front Bearing
131637	24487	Oil Pipe (front of arm) with 131089 and two 1733, for oiling Looper Driving Shaft and Feed Lifting Eccentric Front Bearing, for 131638
131638	Oil Pipe (front of arm) complete, Nos. 68500, 131112, 131637 and two 131113
131639	24481	Slack Thread Regulator Holder Crank Connecting Link
131691	Feed (upper) Bar 131613 with 1194C, 1749C, 9525, 52595, 54143, 54144, 54145, 54150, 127946, 131615 and six 1423W
131695	20711	Feed (upper) Lifting Regulator Connection Sleeve Slide Block Clamping Washer for 131734
131696	24477	Tension (under thread) Thread Guide
131696	24477	Tension (upper thread) Thread Guide
131730	20746	Feed (lower) Bar Feed Dog Seat (adjustable) with 460AL, for 131942
131733	20711	Arm Rock Shaft and Front Crank with 853AL, for 131734
131734	Arm Rock Shaft 131733 with 50391C, 131738 and two each 914J and 131695
131735	24473	Face Plate
131737	24473	Feed (upper) Lifting Regulator Connection with 140123AL
131738	20711	Feed (upper) Lifting Regulator Connection Sleeve Slide Block for 131734
131739	24473	Needle Bar (hollow) with 857AL, for No. 147-90 Machine
131740	24477	Tension (under thread) Spring
131741	24477	Tension (upper thread) Spring
131854	24475	Feed Dog, 14 teeth (14 teeth to the inch) for use with 54215, for No. 147-90 Machine
131864	24470	Arm Oil Cup for 131866

NUMERICAL LIST OF PARTS

No.	Plate	Name
131865	24470	Arm Oil Cup Oil Gauge for 131866
131866	24470	Arm Oil Cup with Oil Gauge complete, for filling oil reservoir, Nos. 131864 and 131865
131882	24479	Looper Carrier Connection Shaft Bushing Collar with 50597C and two 443AL
131896	24481	Slack Thread Regulator for No. 147-90 Machine
131909	24469	Arm Side Cover Cap for 131911
131910	24469	Arm Side Cover Cap Spring for 131911
131911	24469	Arm Side Cover (oil vent) complete, Nos. 1289X, 131276, 131280, 131909 and 131910
131914	24470	Machine Driving Pulley, "V" belt groove (outside diam. of belt groove 2.9 in.) with two 51283AL, for 3/8 in. "V" belt
131918	24468	Machine Base for 131919
131919	24468	Machine Base complete, for 131920, Nos. 131918 and four each 131205, 131279 and 151141
131920	24468	Machine Base and Oil Drain Jar (swinging type) complete, for semi-submerged mounting, for use with Bench Stand No. 135115, Nos. 131268 and 131919
131923	24471	Cloth Plate Slide (right) for 131924
131924	24471	Cloth Plate Slide (right) complete, for 131925, Nos. 54209, 131381, 131923 and four 665J
131925	24471	Cloth Plate complete, for No. 147-90 Machine, Nos. 131051, 131606 and 131924
131926	24470	Crank Connecting Rod with two each 1057AL, 51715AL, 131927 and 131928 for 131931
NOTE: When No. 131926 is required for repairs, Connecting Rod and Arm Rock Shaft Crank (back) fitted together, will be furnished. All Agency Orders for this part must state the Machine No. for which it is required, in order to obtain correct Needle Bar Stroke.		
131927	24470	Crank Connecting Rod Cap (lower) Screw Stud for 131926
131928	24470	Crank Connecting Rod Cap (lower) Screw Stud Nut Lock Washer for 131926
131931		Crank Connecting Rod 131926 with 131486, for 147508
131941	20746	Feed (lower) Bar for 131942
131942		Feed (lower) Bar with Feed Dog Leveling Device complete, for 131945, Nos. 190J, 22436, 68467, 131730, 131941 and two 207E
131943	20746	Feed (lower) Bar Slide Block for 131944
131944	20746	Feed (lower) Bar Slide Block 131943 with 68495 and 134260
131945		Feed (lower) Rocking Frame 131240 with 59343, 131197 and 131942
131959	24479	Looper Driving Shaft and Feed Lifting Eccentric Bushing
131961	21038	Machine Base Oil Drain Jar (glass) for 131268
131962	21038	Machine Base Oil Drain Jar Cap for 131268
131970	24470	Thread (under) Nipper Cam with 465AL
131972	24470	Thread (under) Take-up Thread Guard
131977	24481	Thread (upper) Nipper Stud Spring for 68137
134260	20746	Feed (lower) Bar Slide Block Oil Pad Retainer for 131944
134260	24470	Feed (lower) Connecting Rod Oil Pad Retainer for 131500
134260	24470	Feed (upper) Connecting Rod Oil Pad Retainer for 131500
135115		Bench Stand with 27998, 60220 and four each 126849 with wood screws 5/8 in. No. 7 F.H. (in place of wood screws 3/4 in. No. 7 F.H.) and wood screws 1-1/2 in. No. 10 F.H., for use with Machine Base No. 131919, when Machine is mounted semi-submerged
138306		Feed (lower) Eccentric Lubricating Pad (wood) for 54025
138306		Feed (upper) Eccentric Lubricating Pad (wood) for 54456
139017	24469	Arm Hole Plug Screw Washer
139390	24482	Slack Thread Regulator for No. 147-115 Machine
140123AL	20746	Feed (upper) Connecting Rod Crank Set Screw for 131618

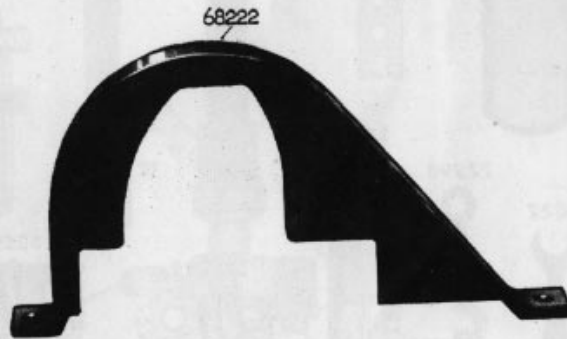
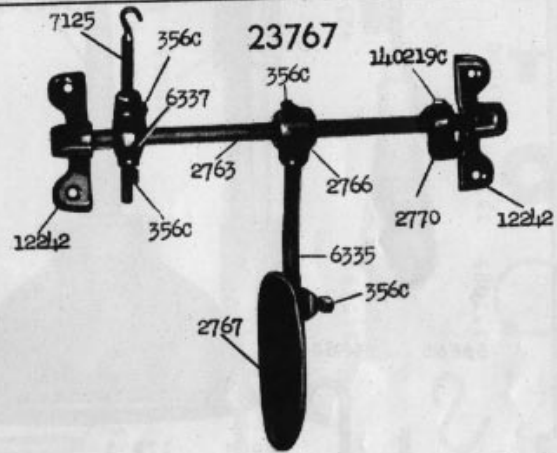
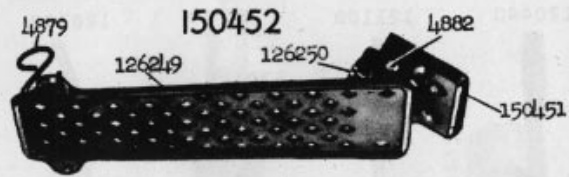
NUMERICAL LIST OF PARTS

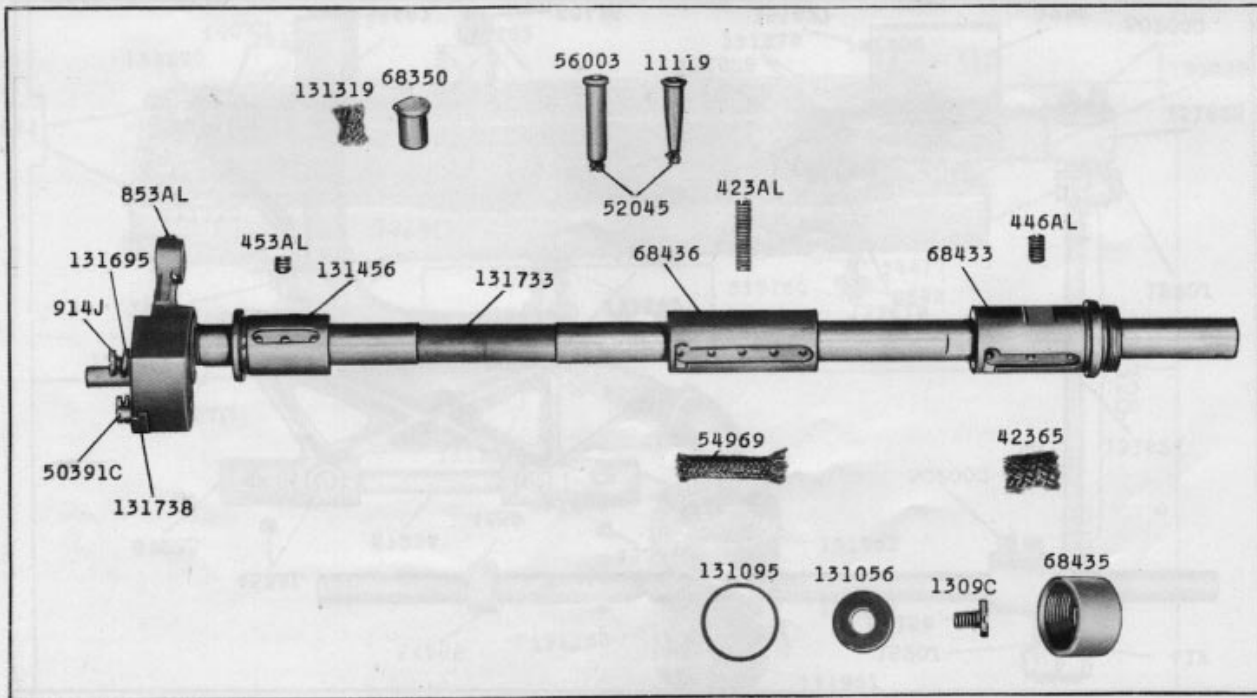
No.	Plate	Name
140123AL	24473	Feed (upper) Lifting Regulator Connection Clamping Screw for 131737
140219C	20633	Knee Lifter Rock Shaft Stop Dog Set Screw for 2770
140275J	24475	Feed Dog Screw for No. 147-90 Machine
140443J	24477	Tension (upper thread) Bracket Screw
140570R	24468	Machine Base Bolt with 1778R, for 151141
147506	24479	Looper Driving Shaft and Feed Lifting Eccentric for 147507
NOTE: When No. 147506 is required for repairs, the Arm Rotary Shaft must be returned to the factory to be adjusted to the new part.		
147507		Looper Driving Shaft and Feed Lifting Eccentric 147506 with 54027, 54227, 54228 and 68479, for 147508
147508		Arm Rotary Shaft 131487 with 640E, 131502, 131617, 131931 and 147507
147556	24476	Feed Dog, 19 teeth (16 teeth to the inch) for 3/32 in. to 5/32 in. gauges, for use with 147557, for No. 147-115 Machine
147557	24476	Throat Plate for 3/32 in. to 5/32 in. gauges, for use with 147556, for No. 147-115 Machine
147558	24476	Feed Dog, 18 teeth (16 teeth to the inch) for 3/16 in. to 3/8 in. gauges, for use with 147559, for No. 147-115 Machine
147559	24476	Throat Plate for 3/16 in. to 3/8 in. gauges, for use with 147558, for No. 147-115 Machine
147560	24473	Feed (upper) Lifting Regulator
147562	24487	Oil Pipe (back of arm) Clamp
147563	24487	Oil Pipe (back of arm) Clamping Plate
147564	24487	Oil Pipe (back of arm) Clamping Plate Bracket
150058	24486	Thread Unwinder Thread Separator for 150061
150060	24485	Thread Unwinder Thread Separator Bracket Arm with 164J and 9525, for 150061 and 150087
150061		Thread Unwinder Thread Separator complete, for 150062, Nos. 164J, 9525, 150058 and 150060
150062	24486	Thread Unwinder complete, for four spools for No. 147-115 Machine, Nos. 150061, 201696J, 225324, 225326, 225388, 259658, two 225257, three wood screws 7/8 in. No. 12 and four each 150203 and 225391
150086	24485	Thread Unwinder Thread Separator for 150087
150087		Thread Unwinder Thread Separator complete, for 150088, Nos. 164J, 9525, 150060 and 150086
150088	24485	Thread Unwinder complete, for two spools for No. 147-90 Machine, Nos. 150087, 201696J, 225257, 225324, 225326, 225388, 259658, two each 150203, 225391 and three wood screws 7/8 in. No. 12
150203	24485	Thread Unwinder Spool Rest Cushion (felt) for 150062 and 150088
150451	20633	Foot Lifter Treadle Stand for 150452
150452	20633	Foot Lifter Treadle complete, Nos. 4879, 4882, 126249, 126250, 150451 and two wood screws 1 in. No. 16 F.H.
151141	24468	Machine Base Bolt complete, for 131919, to fasten base to table, Nos. 126150 and 140570R
164197	20691	Wrench for 51715 (not regularly furnished) Accessories
200383C	24485	Thread Unwinder Spool Rest Rod Set Screw for 259658
201018C	24485	Thread Unwinder Spool Rest Set Screw for 225257
201528X		Thread Unwinder Spool Pin Nut for 225257
201696J	24485	Thread Unwinder Thread Guide Lock Nut for 150062 and 150088
225257	24485	Thread Unwinder Spool Rest (for two spools) with 201018C and two each 201528X, 228692 and 228693, for 150062 and 150088
225322	24485	Thread Unwinder Thread Guide Rod Washer for 225324

NUMERICAL LIST OF PARTS

No.	Plate	Name
225324	24485	Thread Unwinder Thread Guide Rod with 208A1 and 225322, for 150062 and 150088.....
225326	24485	Thread Unwinder Thread Guide Position Cup for 150062 and 150088.....
225388	24485	Thread Unwinder Spool Rest Rod for 150062 and 150088.....
225390	24485	Thread Unwinder Thread Cone Holder, for inverted cones... NOTE: No. 225390 is used with, but not included in 150062 or 150088.
225391	24485	Thread Unwinder Thread Guide for 150062 and 150088....
228692	Thread Unwinder Spool Pin for 225257.....
228693	Thread Unwinder Spool Pin Washer for 225257.....
259658	24485	Thread Unwinder Spool Stand with 200383C, for 150062 and 150088.....

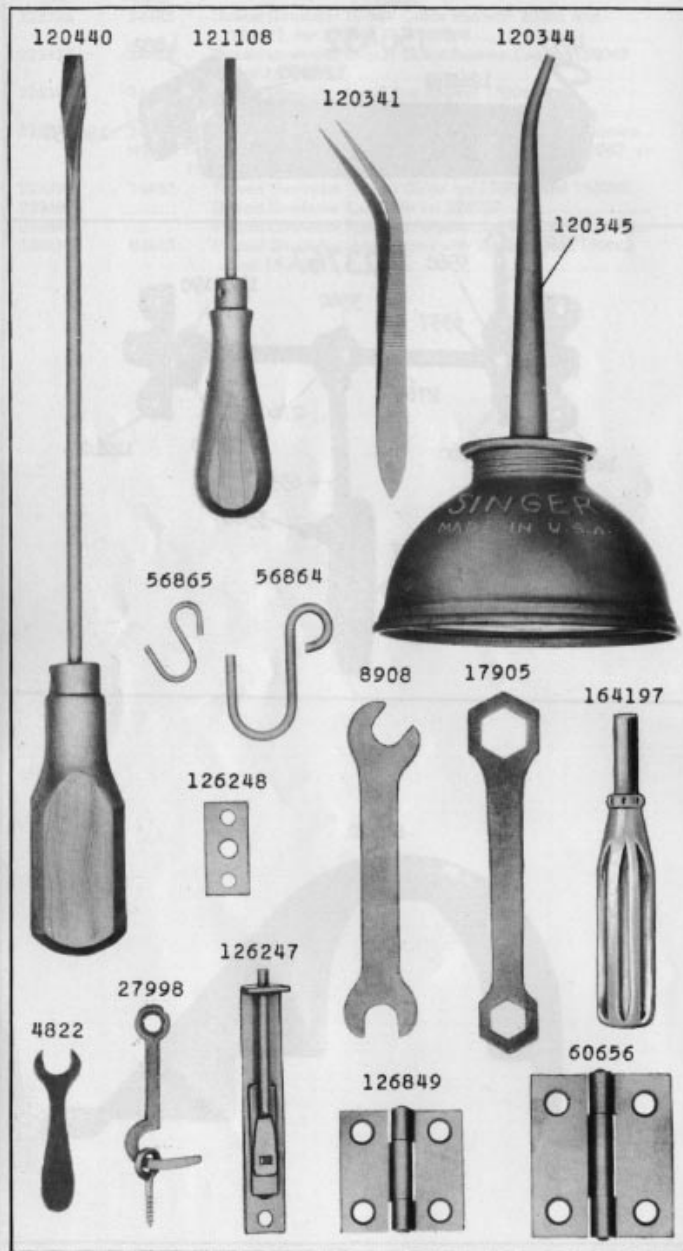
20633 - 1/4

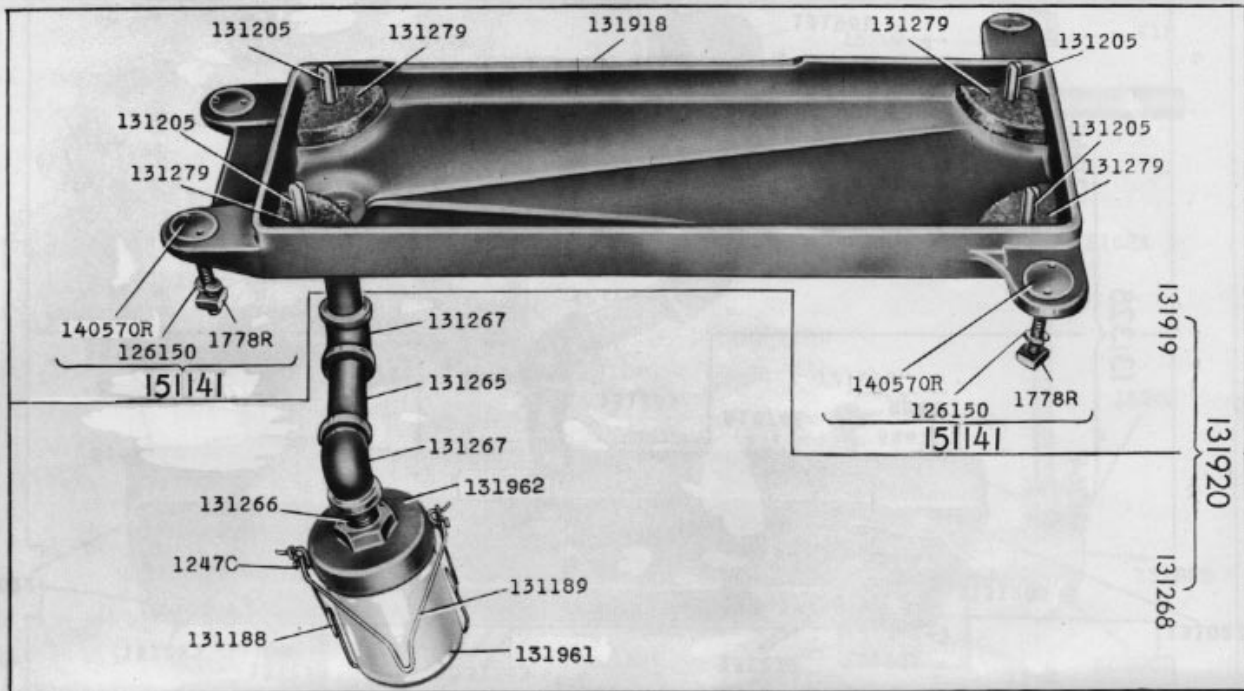




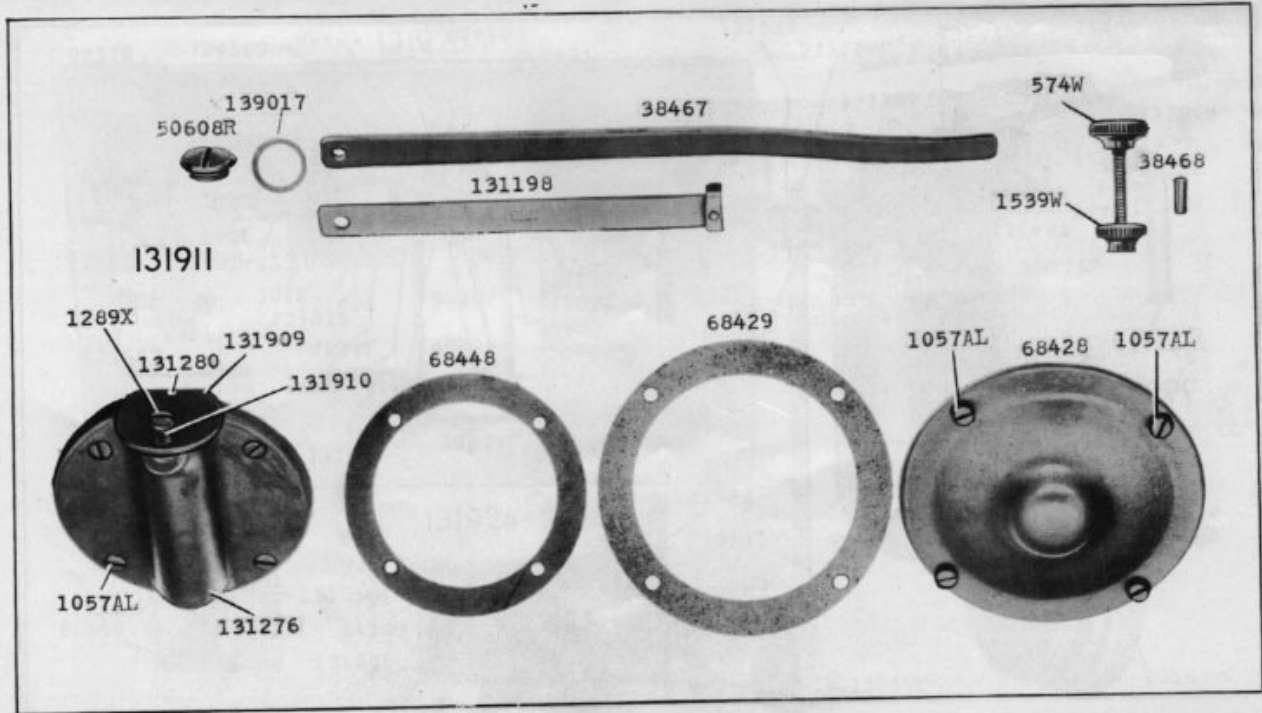
20711 - 1/2

20691 - 1/2

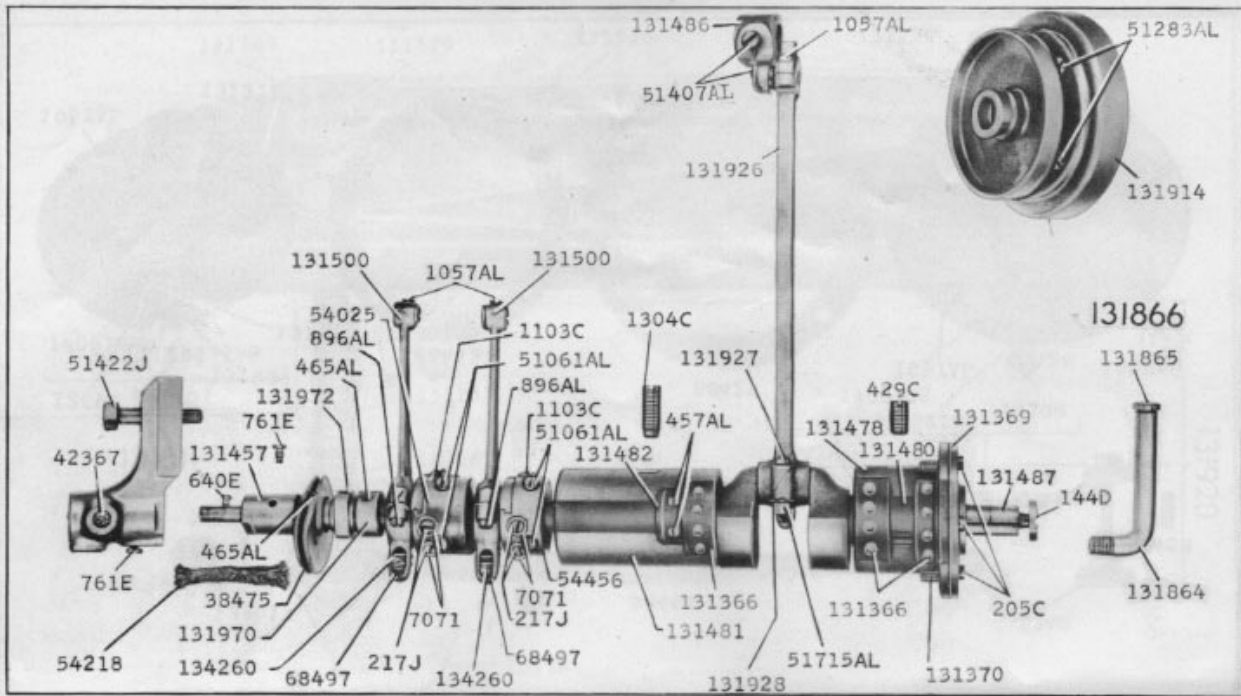




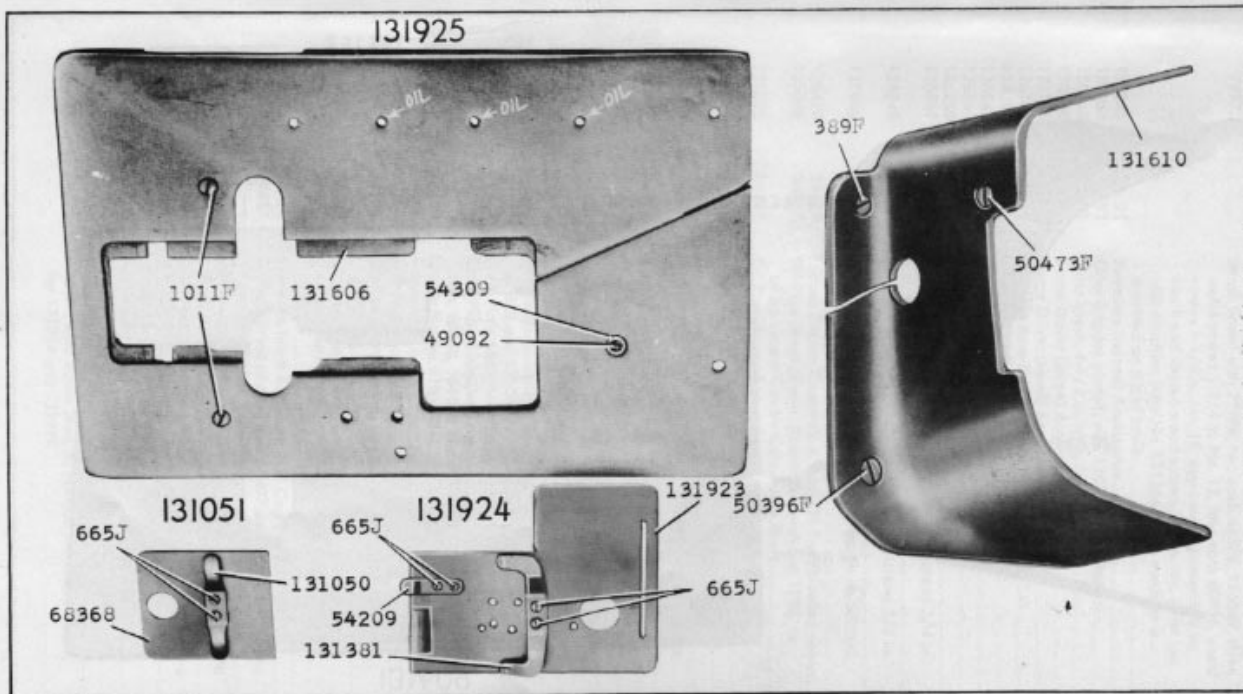
24468 - 1/4



24469-1/2

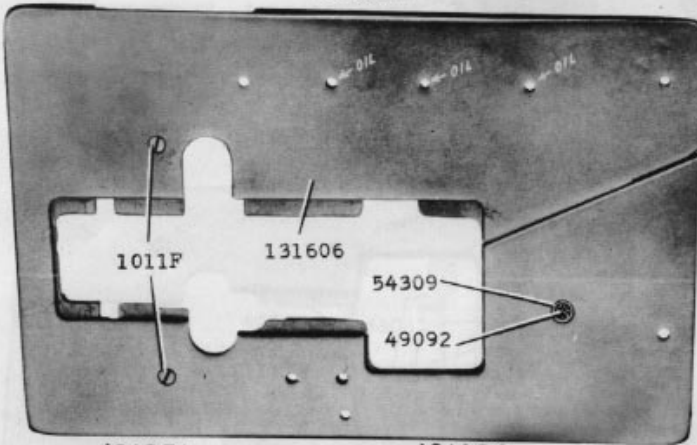


24470-1/3



24471-1/2

131609



389F

131610

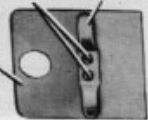
50473F

50396F

131051

665J 131050

68368

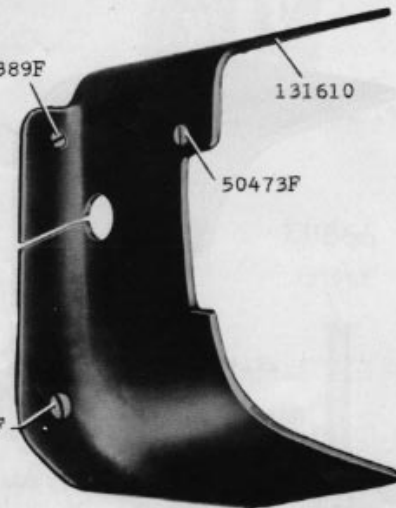
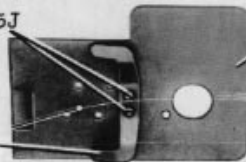


131608

665J

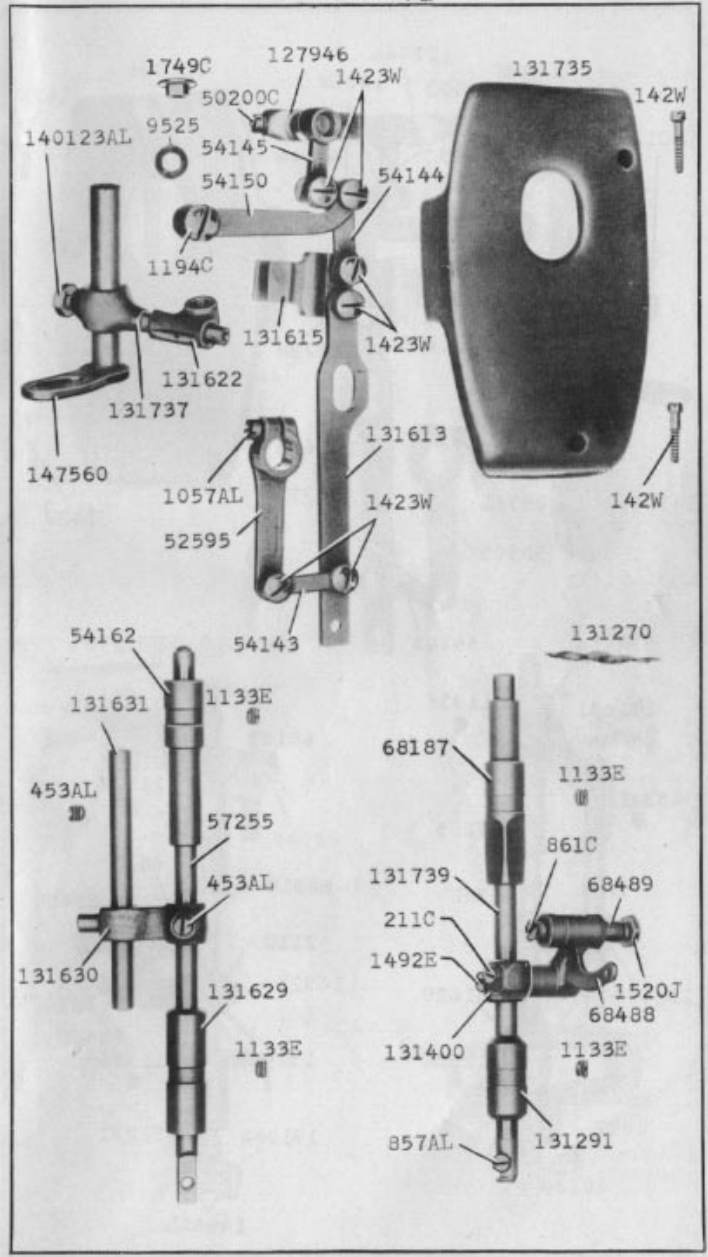
131607

131381

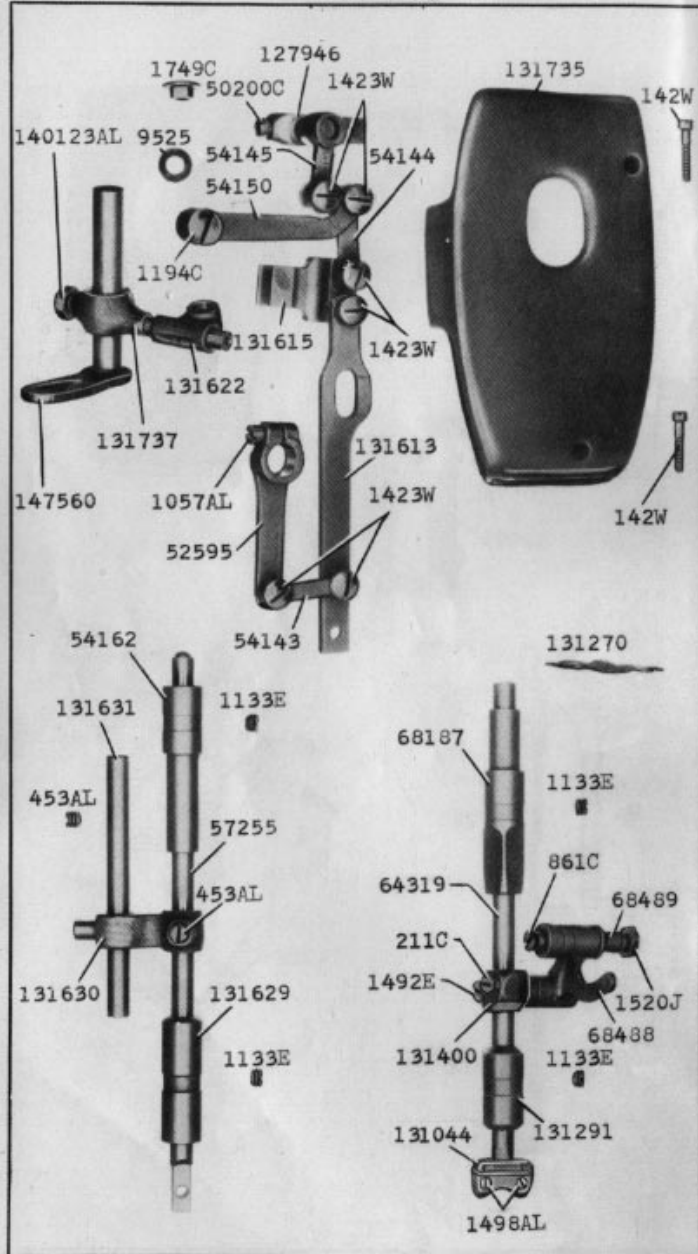


24472-1/2

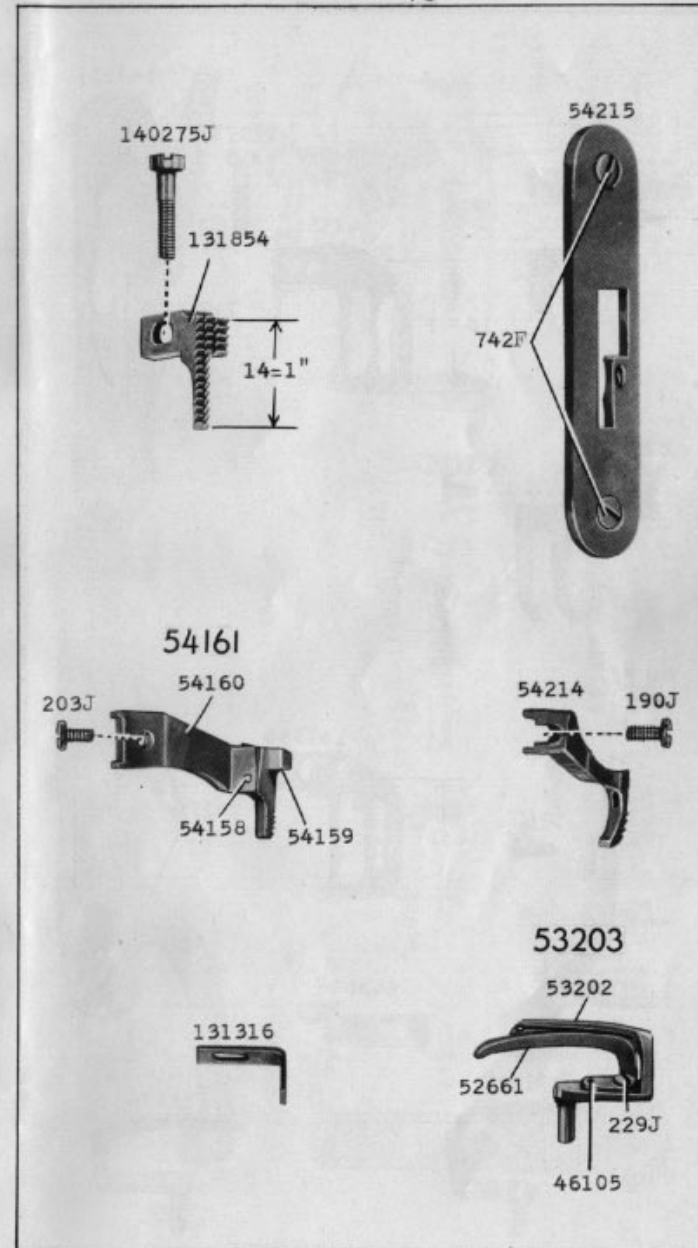
24473-1/2



24474-1/2

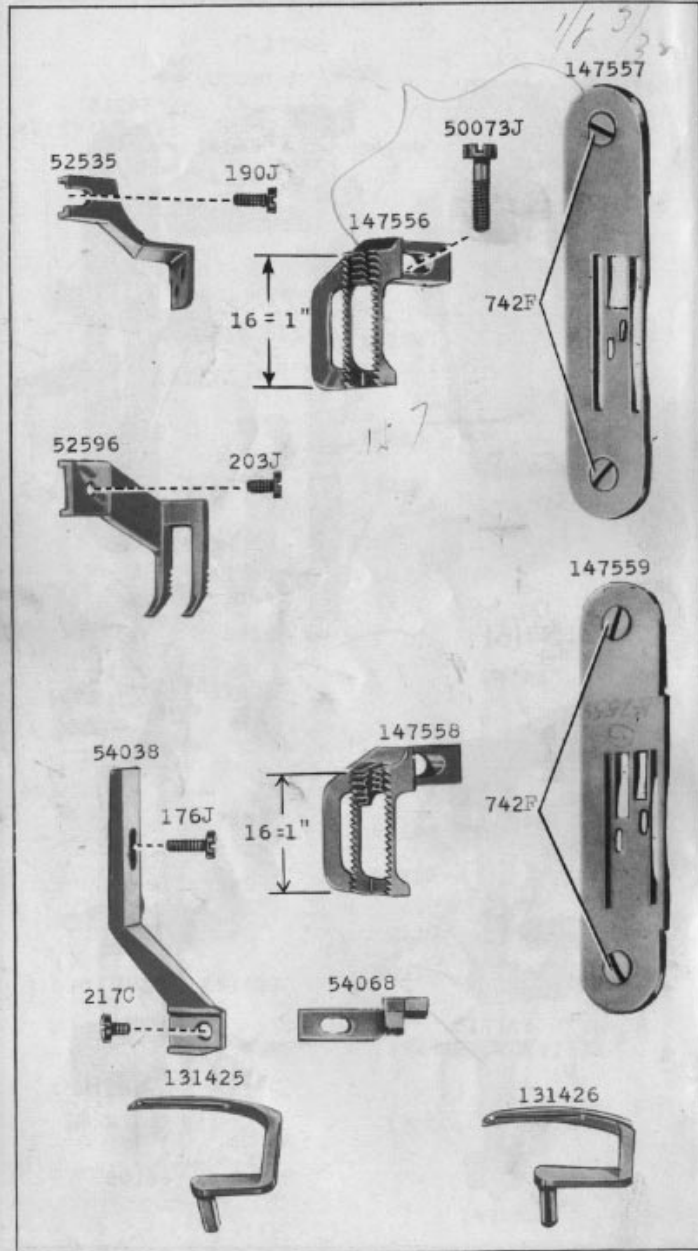


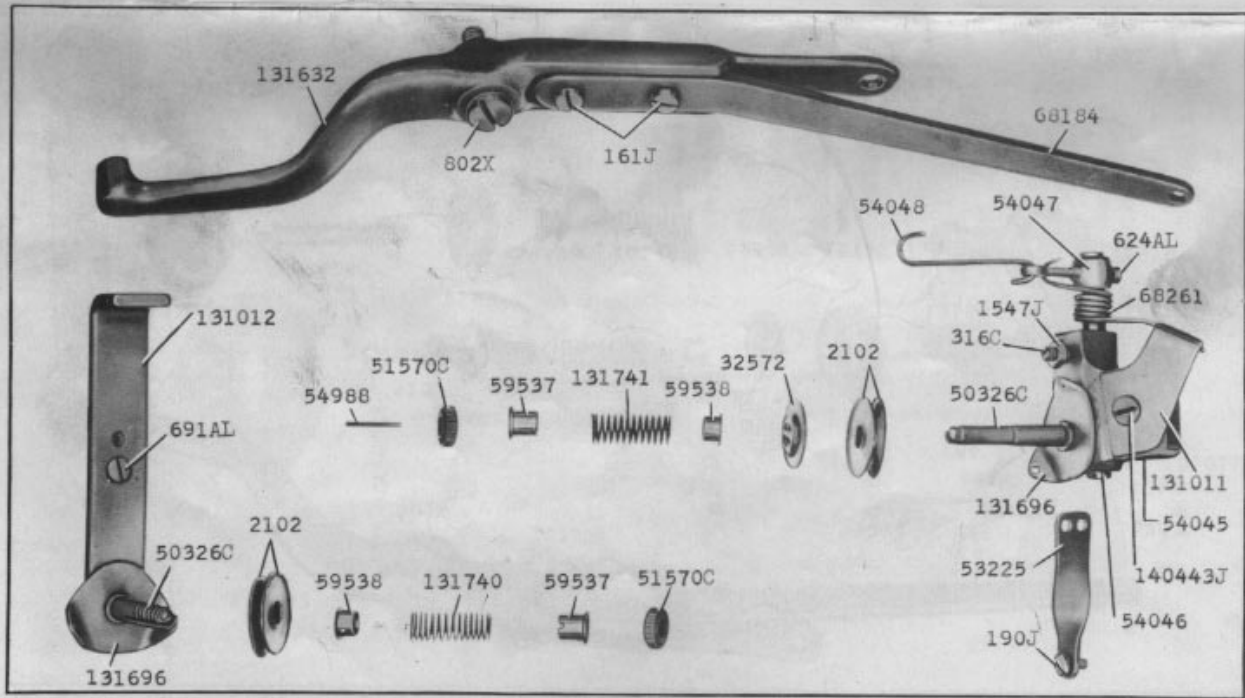
24475-2/3



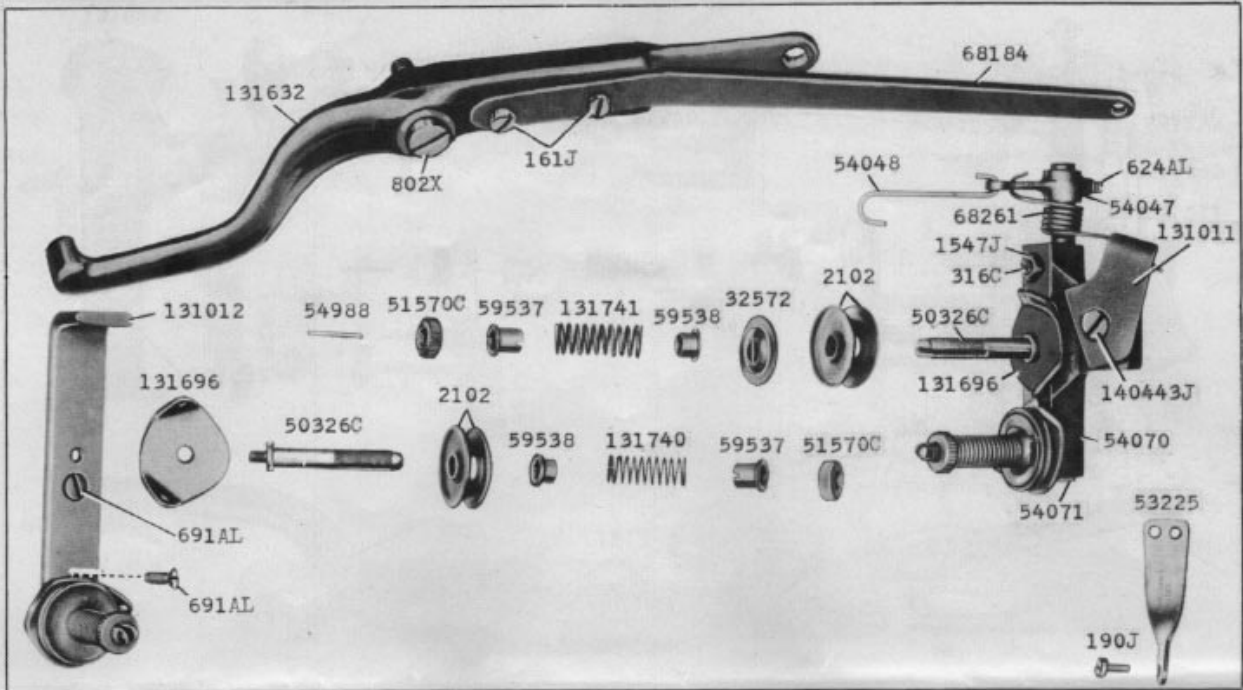
24476-2/3

58 71
1/1 3/2



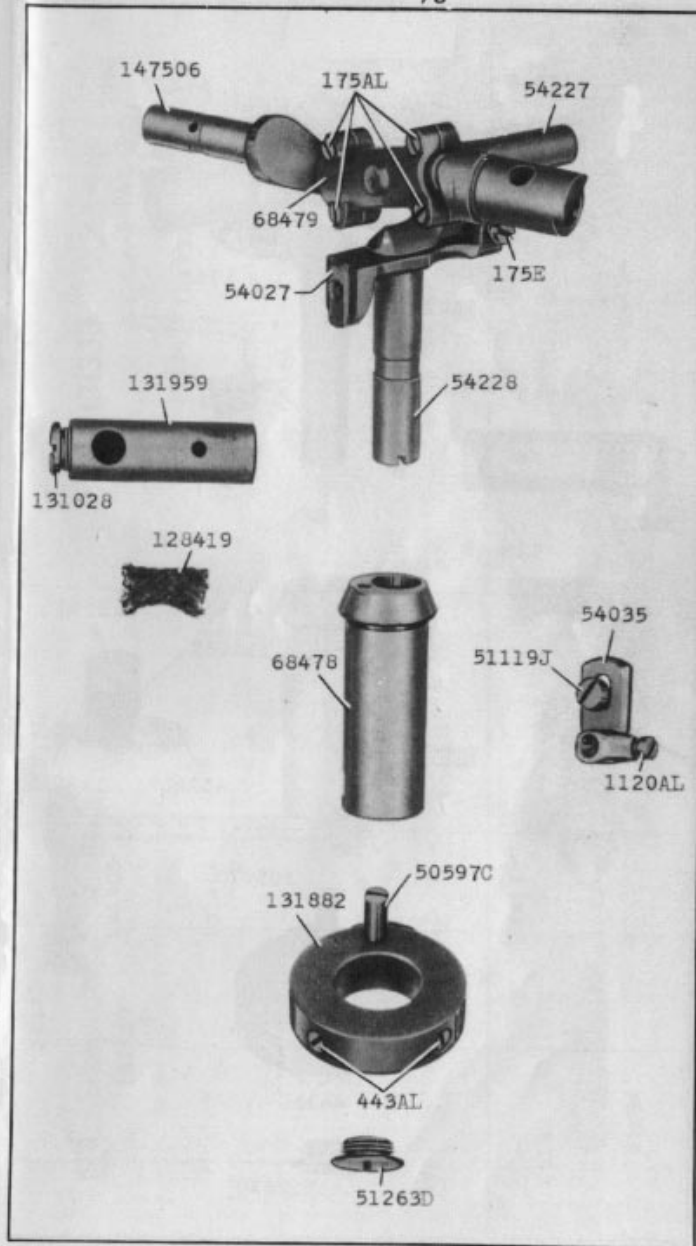


24477-1/2

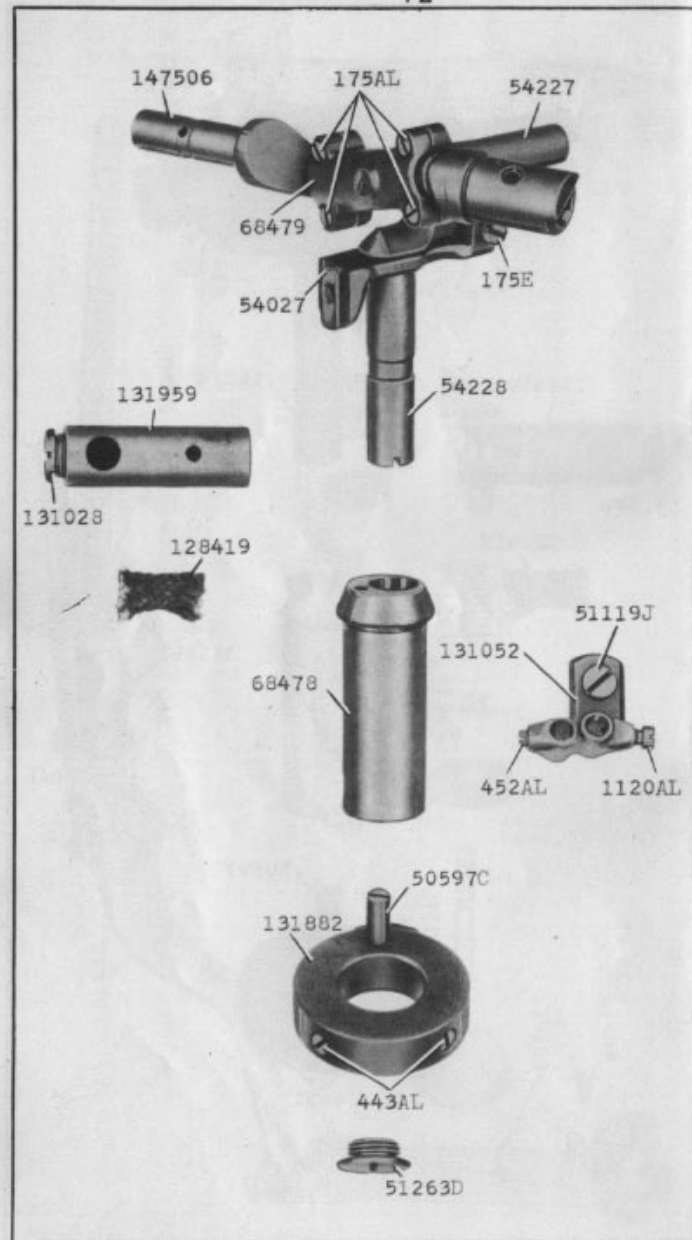


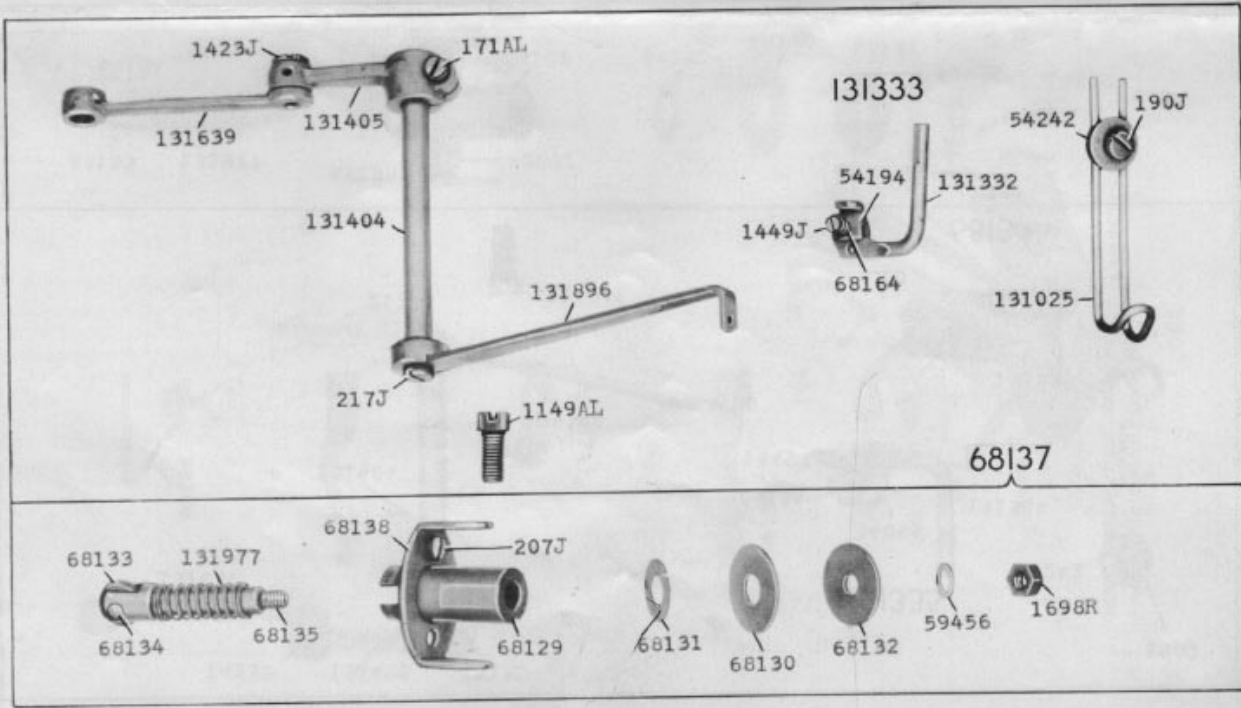
24478-1/2

24479-2/3

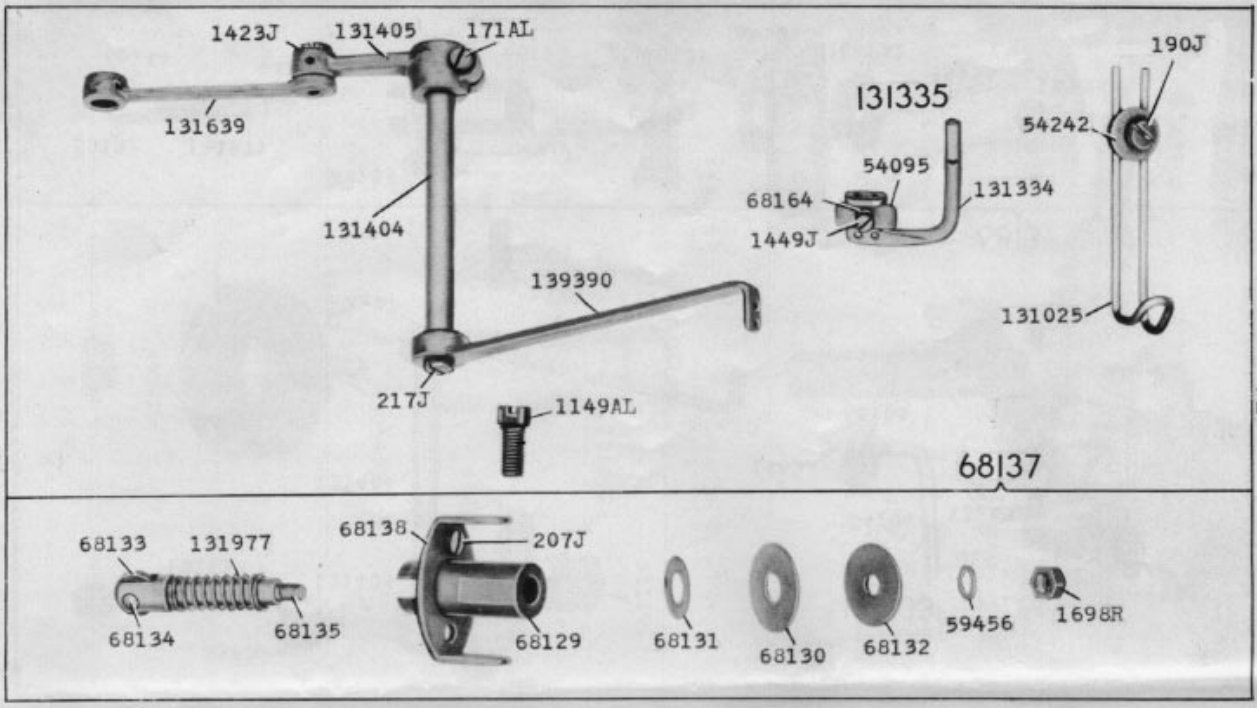


24480-1/2





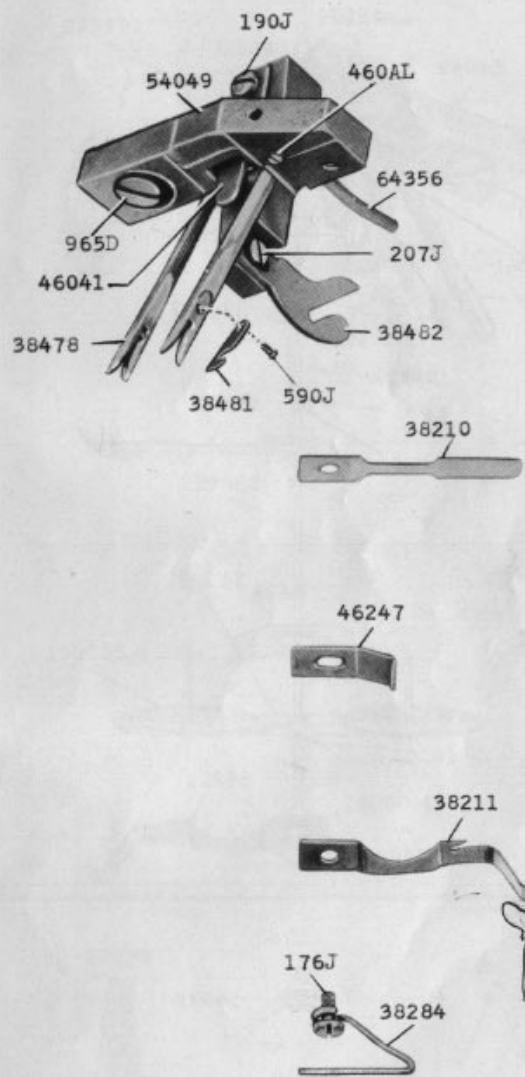
24481-1/2



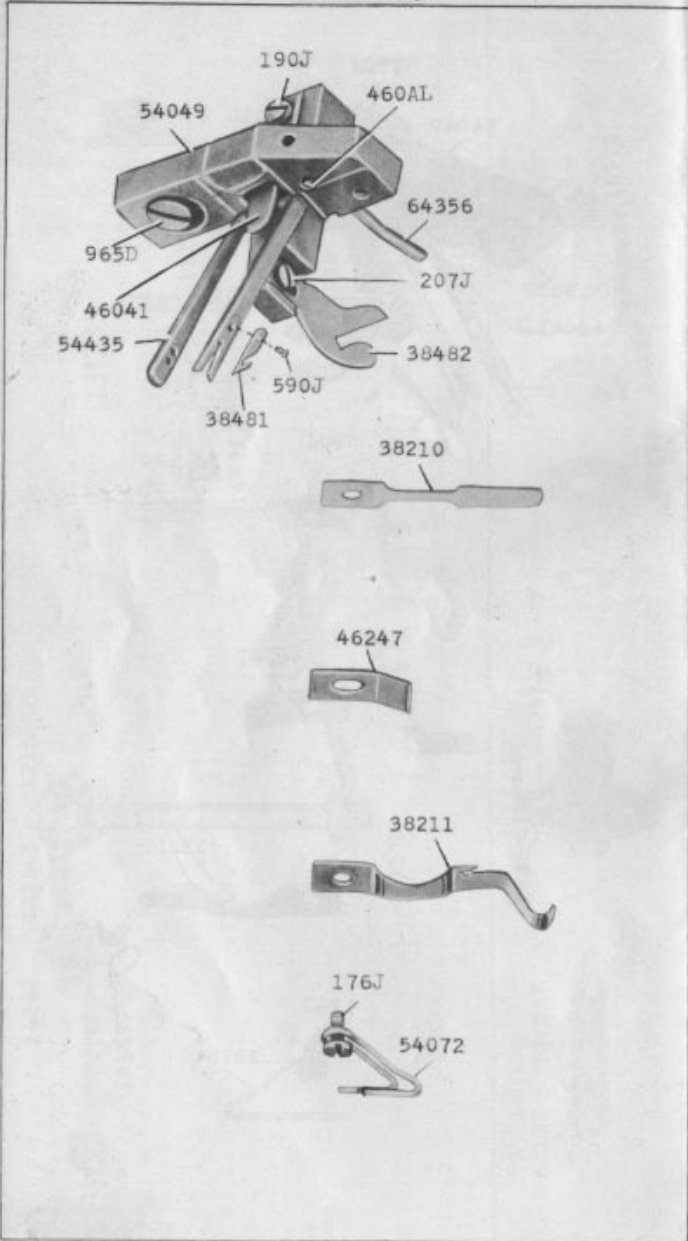
24482-1/2



24483-2/3

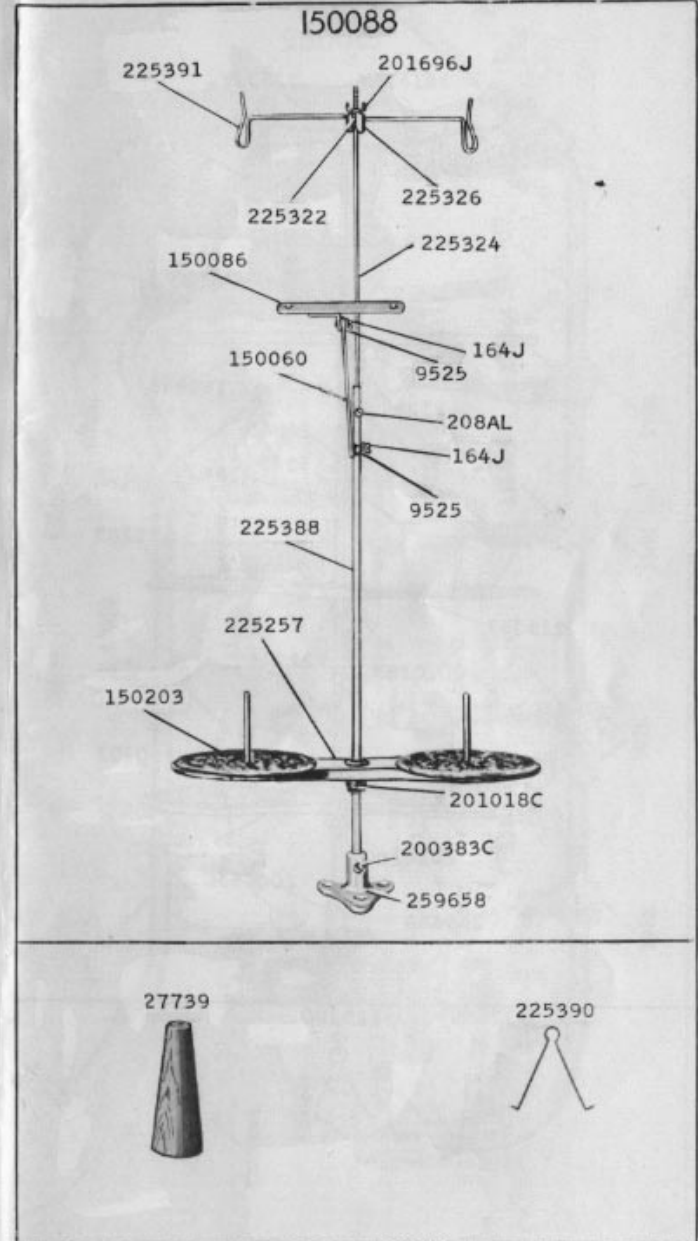


24484-2/3



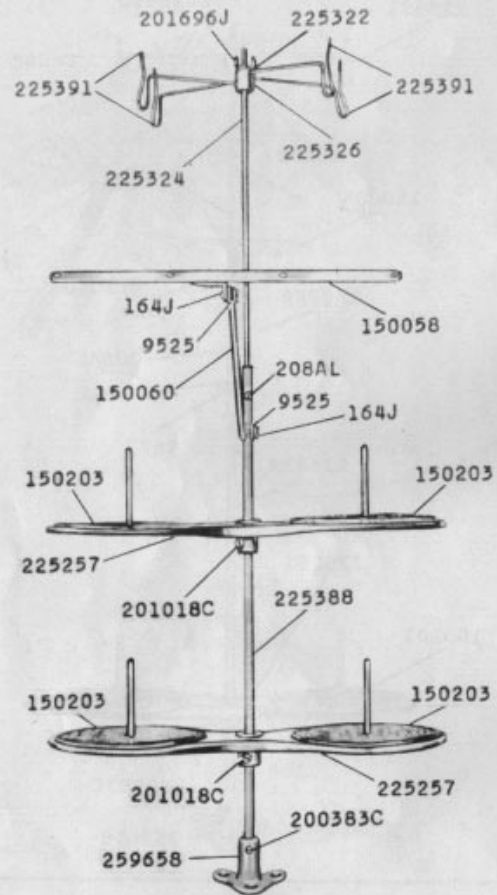
24485-1/6

150088



24486-1/6

150062

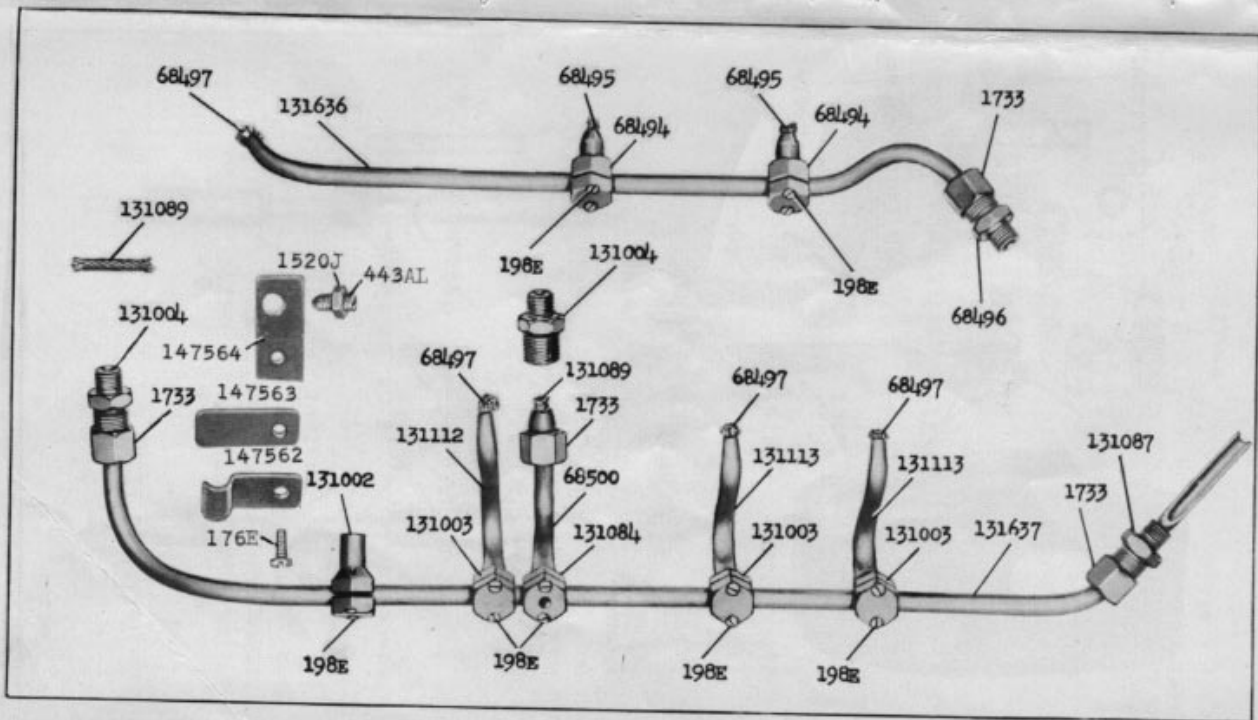


27739



225390





24487-1/2