

SINGER
188K1

Form K6417
(Supersedes K6360)

HISTORICAL COPY

DO NOT REMOVE

ILLUSTRATED
LIST OF PARTS
FOR

SINGER**

Machine No. 188K1



THE SINGER MANUFACTURING COMPANY

** A Trademark of THE SINGER MANUFACTURING COMPANY

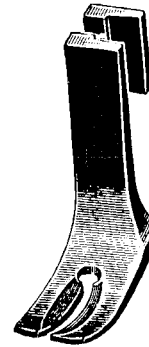
36551



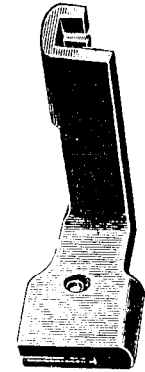
36554



56083



36840



99619



56127



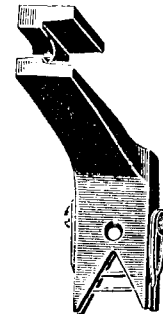
36837



36838



36549

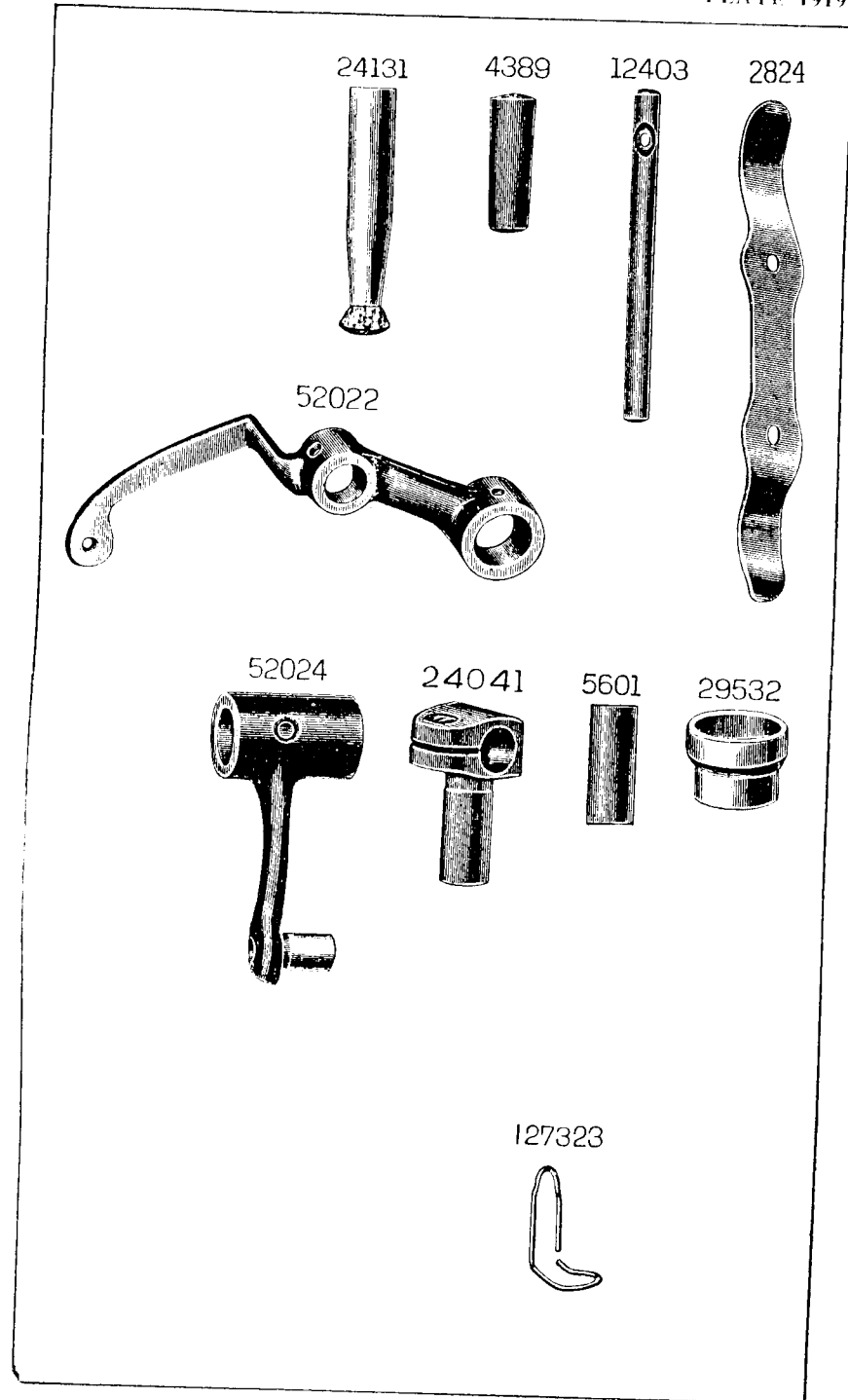
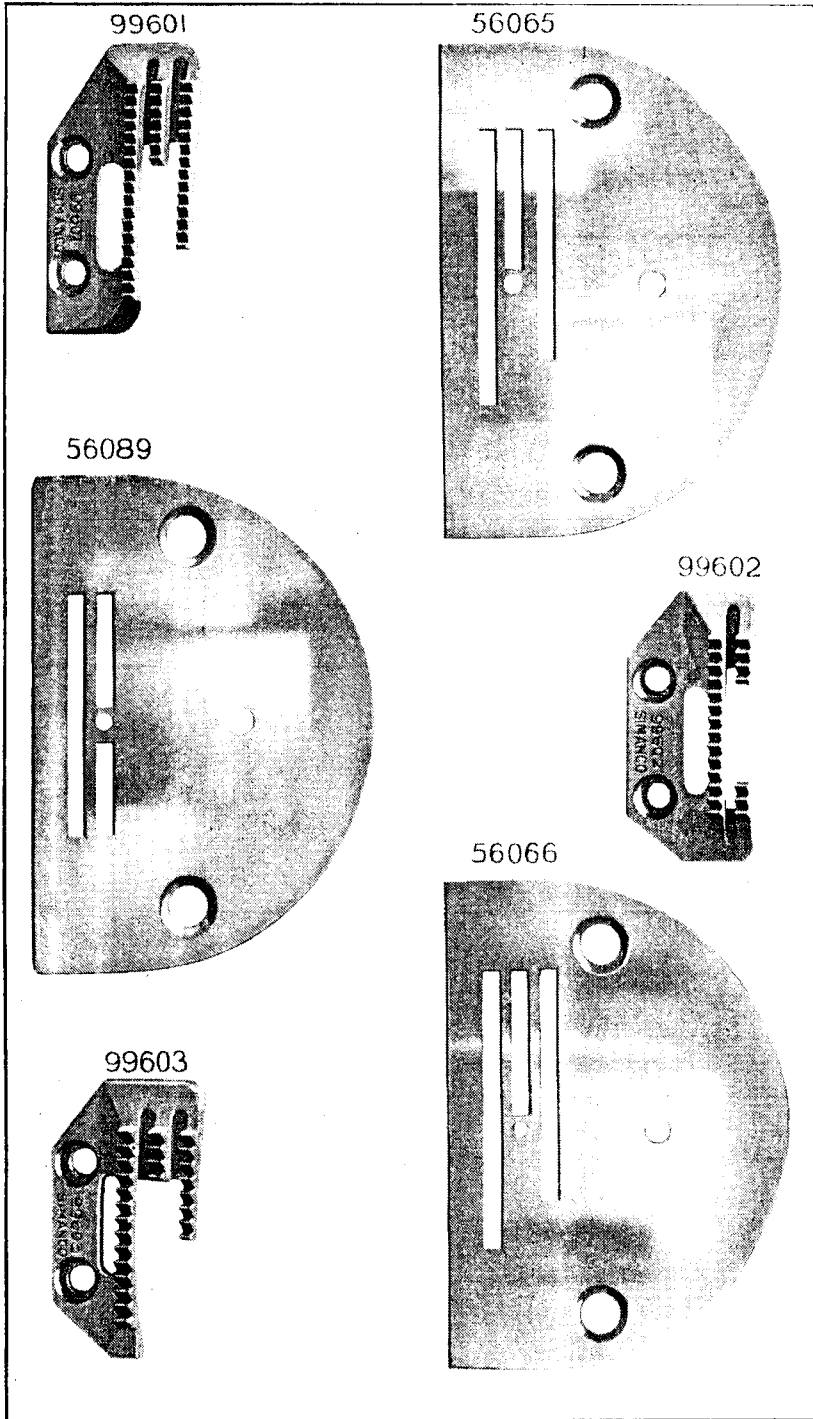


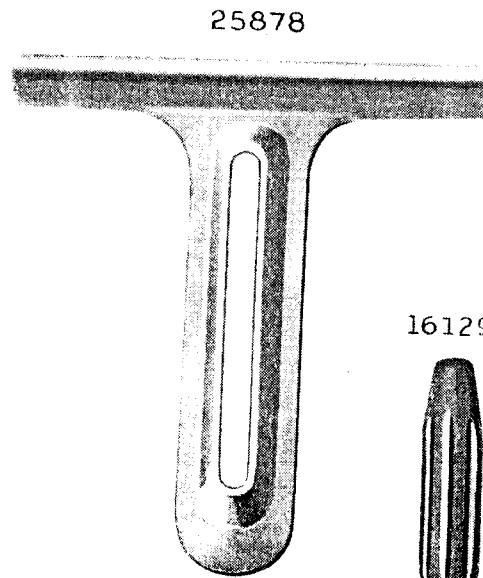
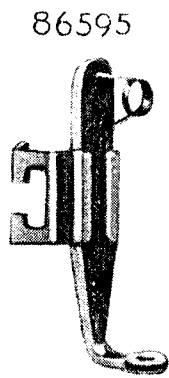
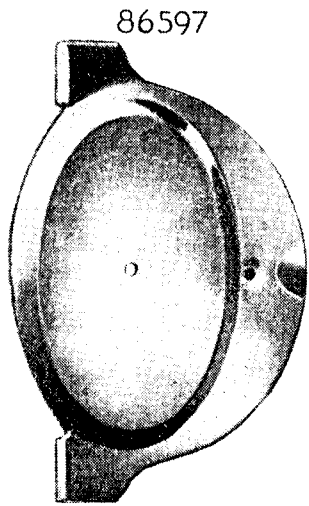
36550



662



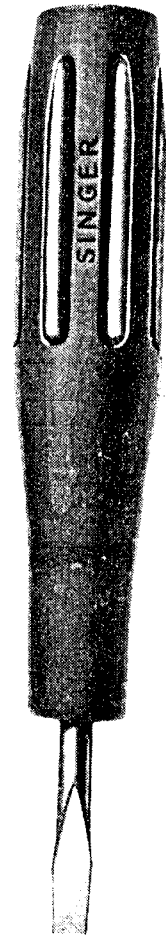




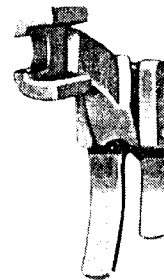
161295

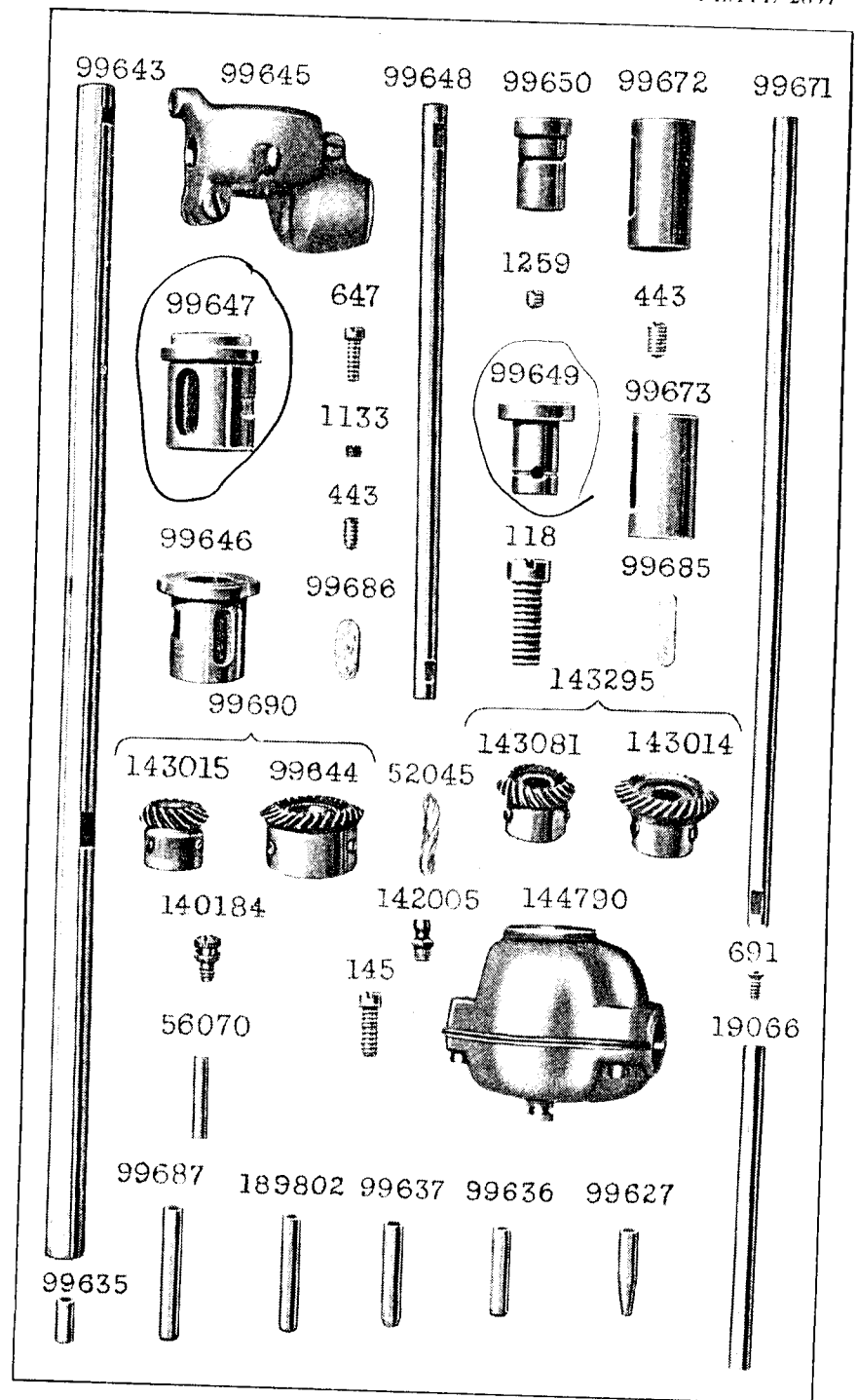
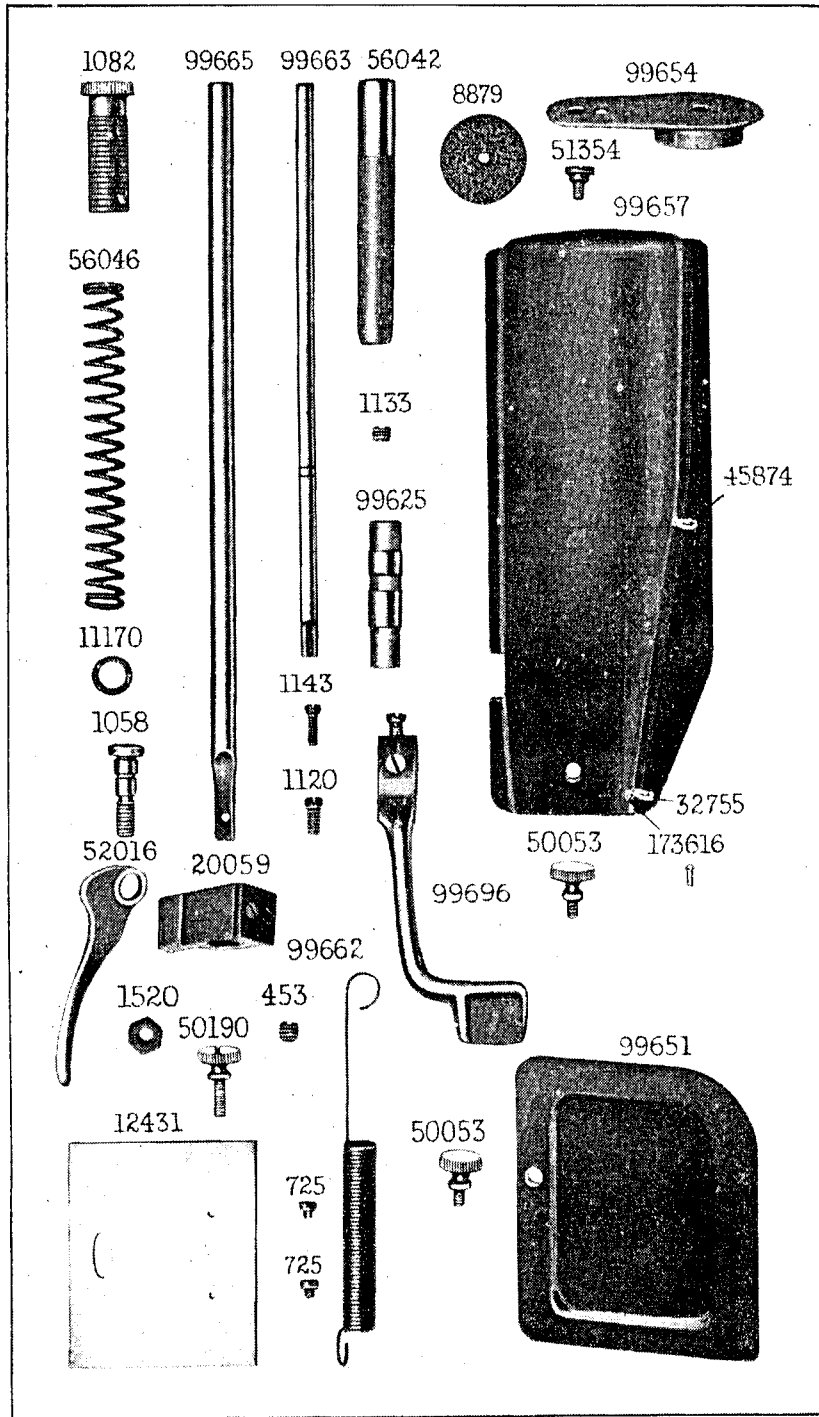


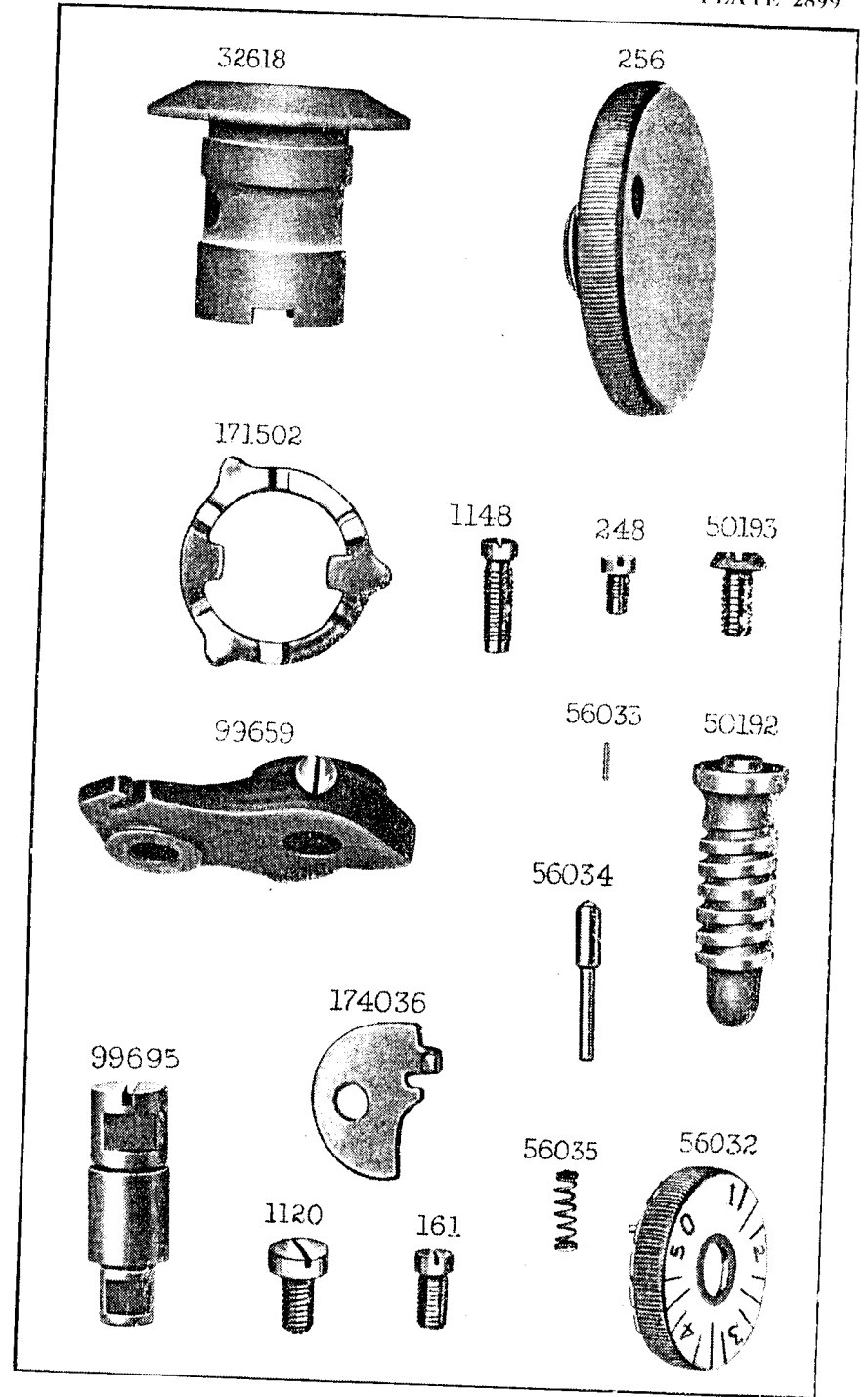
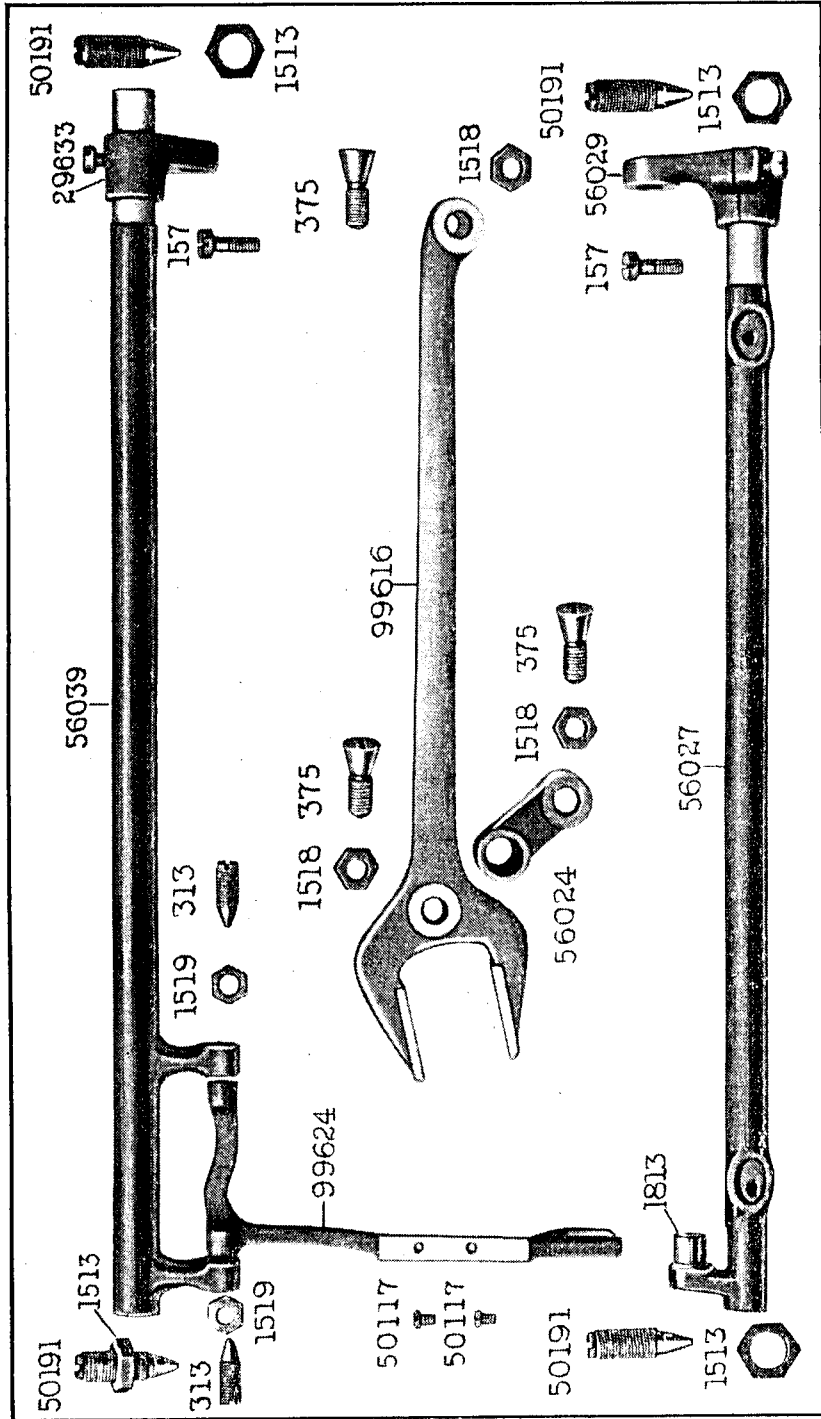
161294

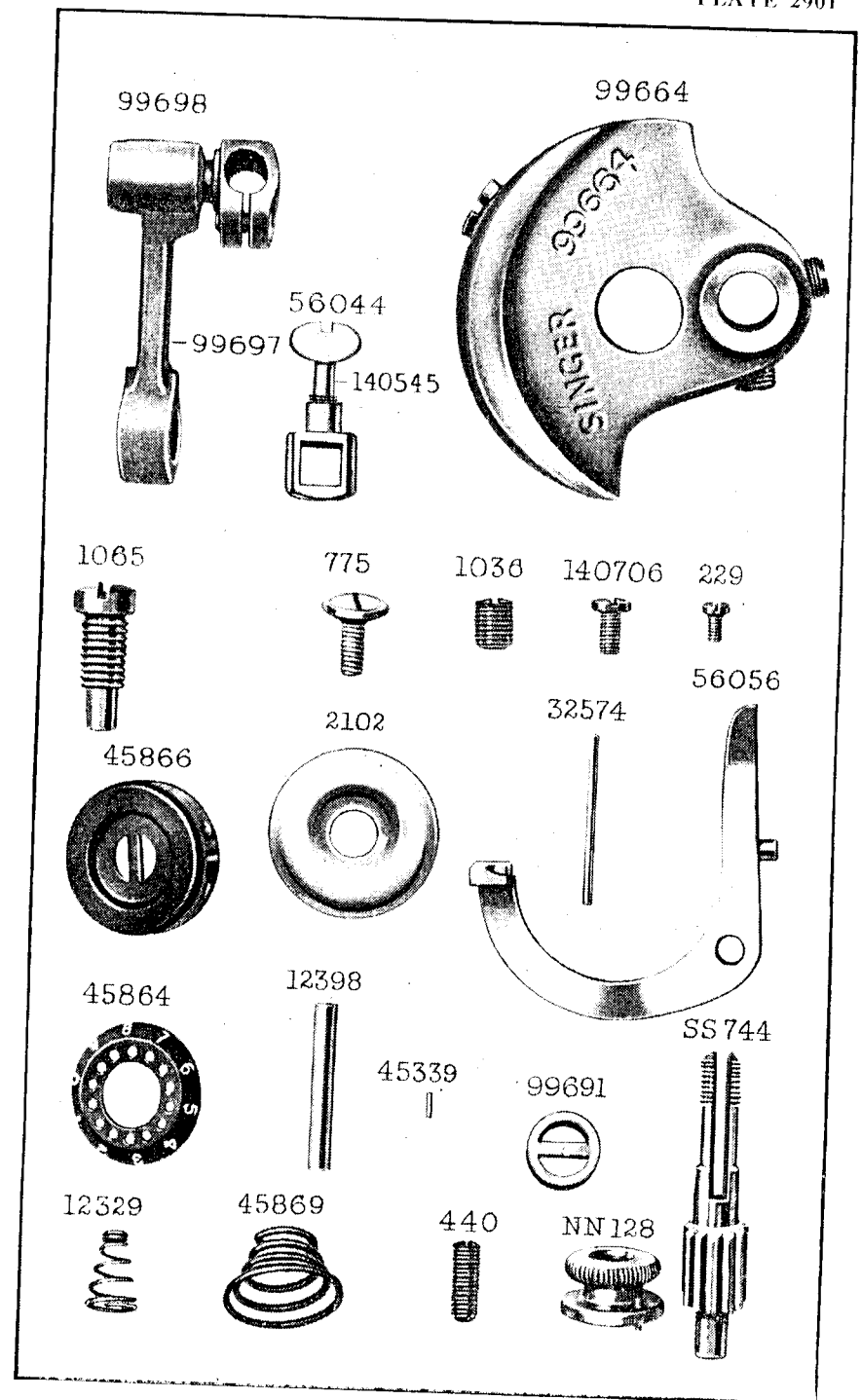
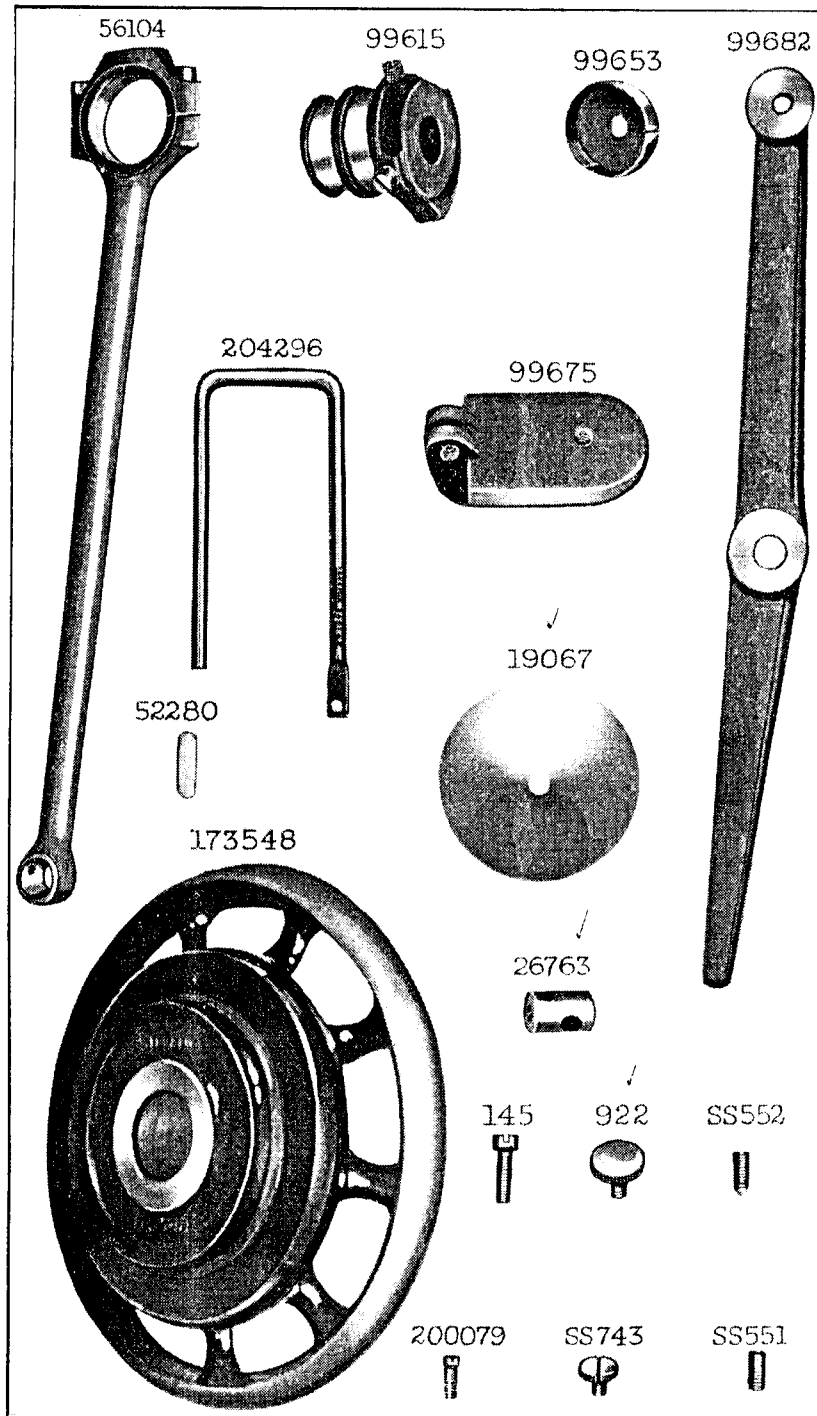


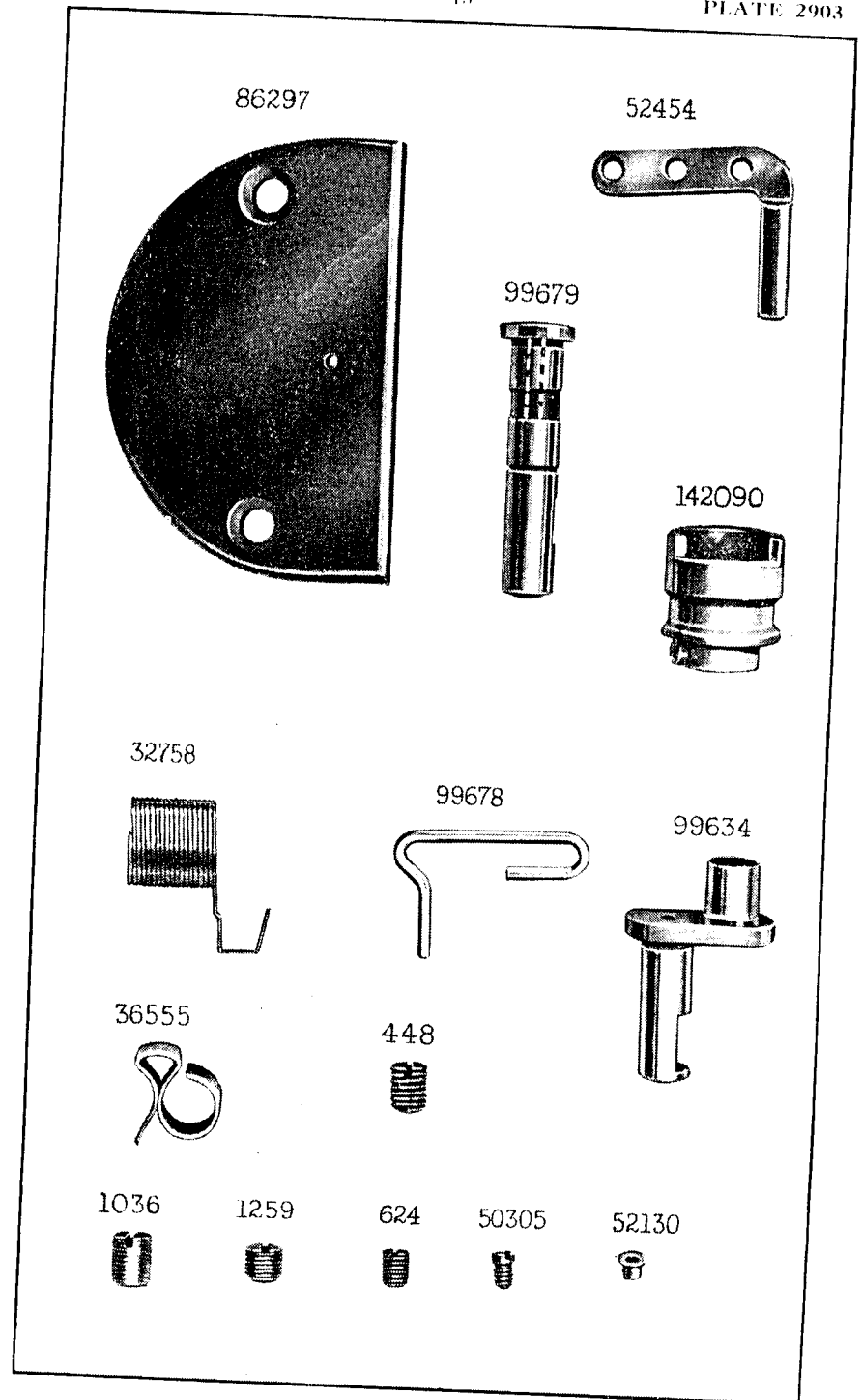
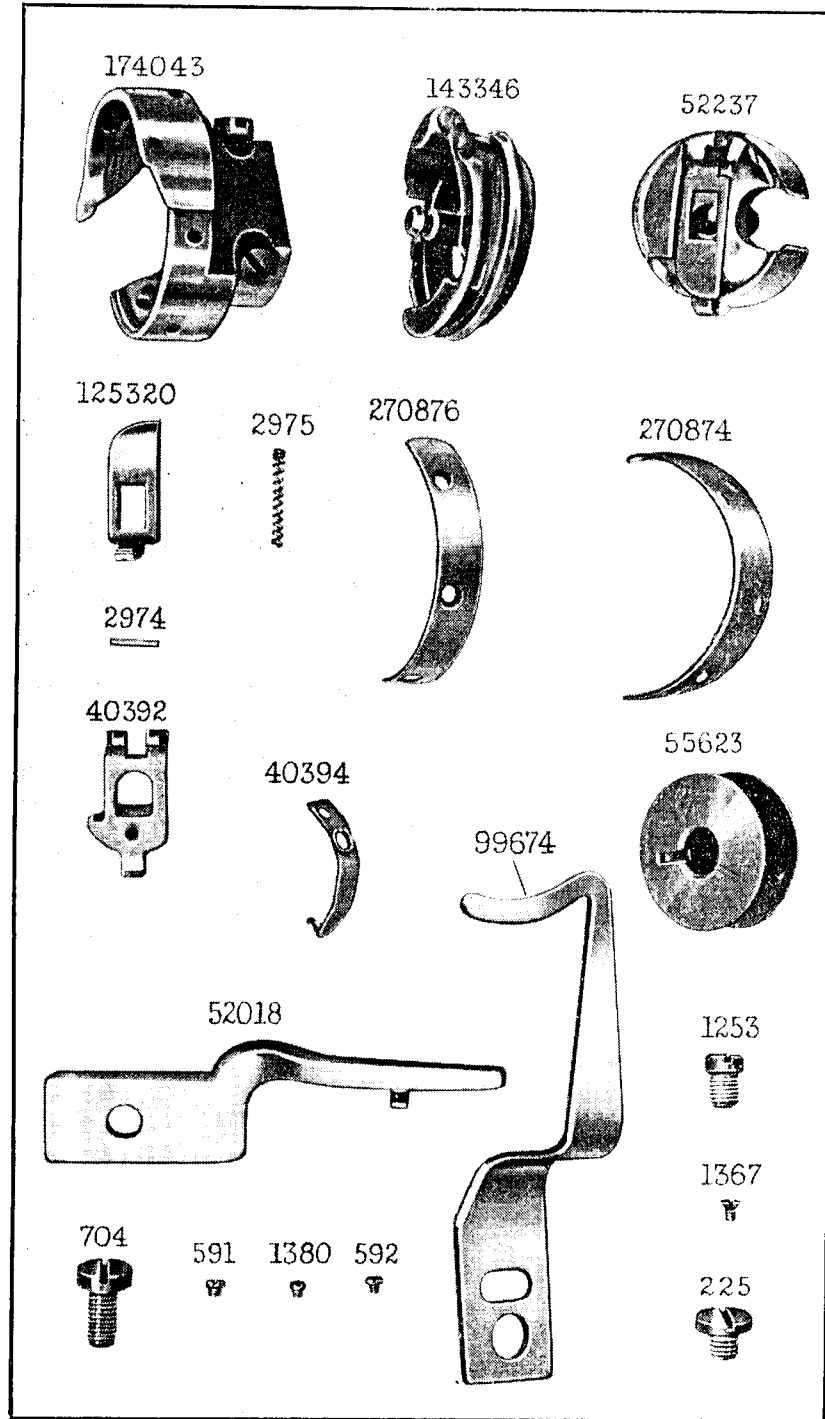
161066







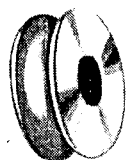




15287



15288



45915



45916



66601



125462



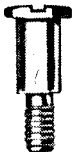
45847



2007



51319



158



51303



190



15072



732



193



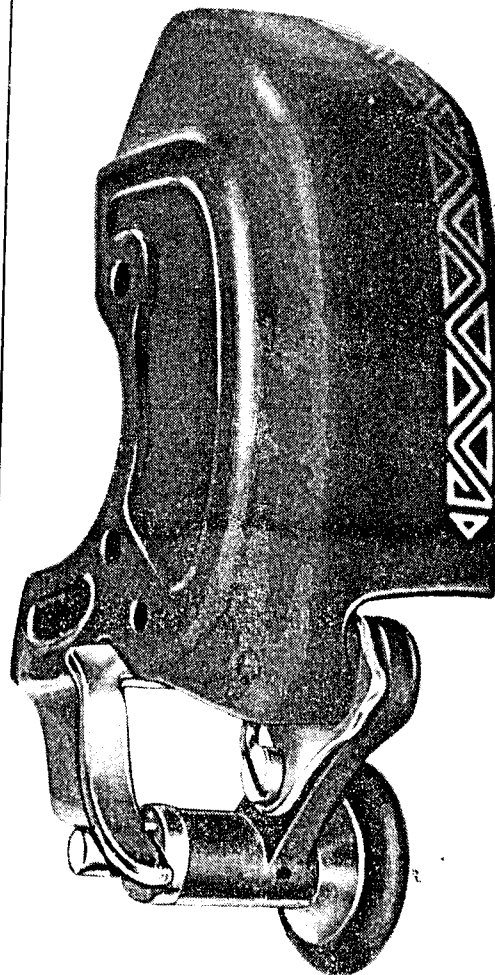
140138



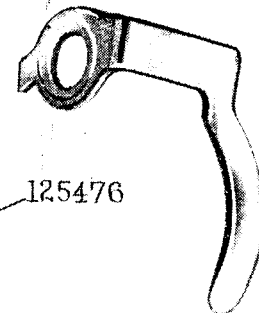
1053



99681



45268

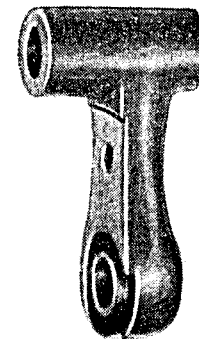


125476

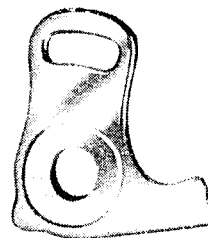
105047



66670

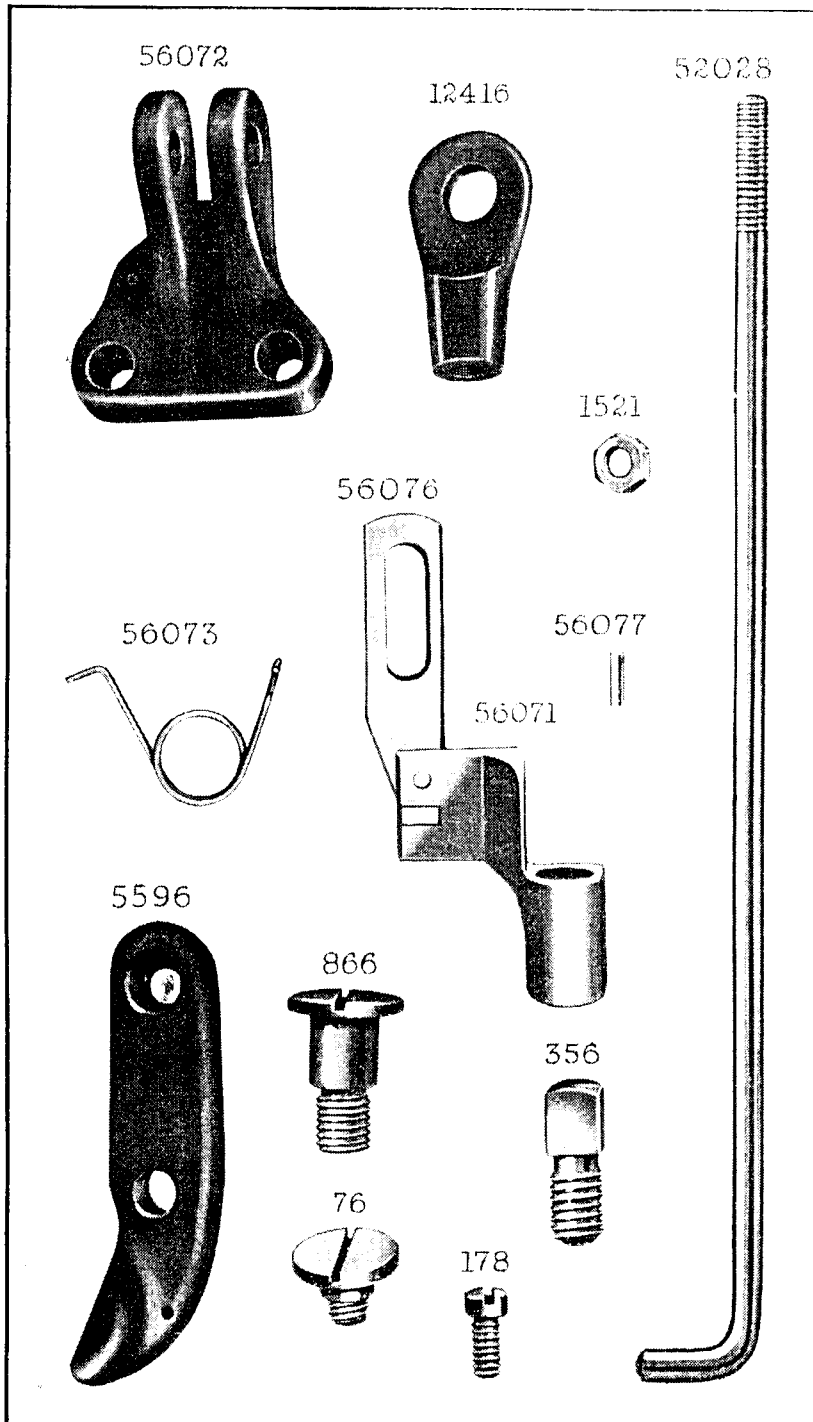


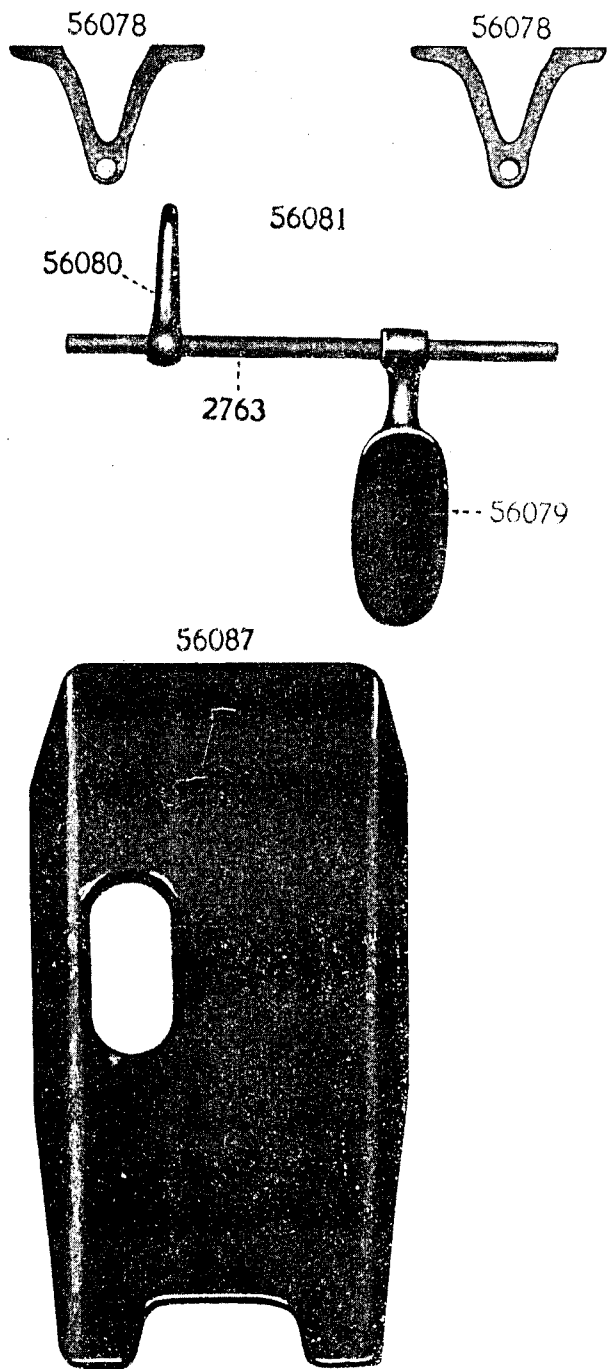
125326



125395







Illustrated List of Parts
FOR
Machine No. 188K1

CONTENTS

	Page
Machine Parts	25
Attachments	31
Bobbin Winder	32
Knee Lifter	33
Spool Holder	34
Numerical List of Parts	37

INSTRUCTIONS FOR ORDERING

In ordering from this List, the code number with the part number **MUST BE** quoted exactly as they are shown in the first column.

A number always indicates the same part in whatever List it may appear, or for whatever machine.

The code numbers (where shown) indicate the style of finish as follows:

New Code	Old Code	Description
801	A.	Hardened, Polished, Nickel Plated and Buffed.
802	B.	Polished, Nickel Plated and Buffed.
803	C.	Hardened only.
804	D.	Polished only.
805	E.	Soft, Not Polished.
806	F.	Hardened and Polished.
807	G.	Bright Rumbled and Nickel Plated.
808	H.	Blued.
809	J.	Nickel Plated only.
810	K.	Hardened and Nickel Plated.
811	L.	Brass Plated.
812	M.	Oxidized.
813	R.	Phosphate Coating Formed on Surface of Iron or Steel.
814	S.	Cadmium Plated.
815	T.	Copper Plated.
816	U.	Zinc Plated.
817	V.	Silver Plated.
818	W.	Polished and Nickel Plated.
819	X.	Black Oxide for Iron and Steel.
820	Y.	Black Nickel Plated only.
821	Z.	Chromium Plated.
822	A.A.	Buffed and Chromium Plated.
823	A.B.	Hardened, Polished, Buffed and Chromium Plated.
824	A.E.	Hardened, Bright Rumbled and Nickel Plated.
825	A.F.	Hardened, Bright Rumbled, Nickel Plated, Bright Rumbled and Chromium Plated.
826	A.G.	Alumilite. (Plain).
827	A.H.	Alumilite. (Dyed). Colour must be stated.
828	A.J.	Polished, Nickel Plated and Chromium Plated.
829	A.K.	Hardened, Polished, Nickel Plated and Chromium Plated.
830	A.L.	Heat Treated for Toughness.
831	A.L.D.	Heat Treated for Toughness and Polished.
832	A.L.J.	Heat Treated for Toughness and Nickel Plated.
833	A.L.X.	Heat Treated for Toughness and Black Oxide.
834	A.L.Z.B.	Heat Treated for Toughness, Polished, Nickel Plated, Buffed and Chromium Plated.
835	A.S.	Cancelled, use Paint Code 701.
836	A.T.	Cancelled, use Paint Code 709.
837	A.U.	Cancelled, use Paint Code 720.
838		
839	B.A.	Chrome Nickel, Satin Finish.
840	B.B.	Hardened and Chrome Nickel, Satin Finish.
841	C.R.	Hardened and Phosphate Coating Formed on Surface of Steel.
842	C.U.	Hardened and Zinc Plated.
843	F.J.	Hardened, Polished and Nickel Plated.
844	T.A.	Hardened, Polished, Copper and Nickel Plated and Buffed.
845	T.B.	Copper and Nickel Plated and Polished.
846	T.J.	Copper and Nickel Plated only.
847	T.K.	Hardened, Copper and Nickel Plated.
848	T.L.	Copper and Brass Plated.

Continued over

INSTRUCTIONS FOR ORDERING Continued.

New Code	Old Code	Description
849	T.M.	Copper Plated and Oxidized.
850	X.C.	Hardened and Black Oxide for Iron and Steel.
851	Z.A.	Hardened, Polished, Nickel Plated, Buffed and Chromium Plated.
852	Z.B.	Polished, Nickel Plated, Buffed and Chromium Plated.
853	Z.C.	Hardened and Chromium Plated.
854	Z.D.	Polished and Chromium Plated.
855	Z.G.	Bright Rumbled, Nickel Plated, Bright Rumbled and Chromium Plated.
856	Z.J.	Nickel and Chromium Plated.
857	Z.T.	Copper and Chromium Plated.
858	A.L.Z.J.	Heat Treated for Toughness, Nickel and Chromium Plated.
859		Heat Treated for Toughness, Copper Plated and Oxidized.
860		Nickel Plated and Buffed only.
861		Alumilite (dyed)—Black.
862		" (")—Light Almond Green.
863		" (")—Dark Brown.
864		" (")—Russet Brown.
865		" (")—Dark Green.
866		" (")—Medium Gold.
867		Nickel-Satin Finish.
868		Hardened and Nickel-Satin Finish.

Code No.	Paint Colours	Code No.	Paint Colours
701	Gloss Black	734	Pale Red
702	Dull Black	735	Emerald Green
703	Brown	736	Green Metallic
704	Grey Wrinkle	737	Light Beige Satin Matte
705	Beige Wrinkle	738	Copper Tan
706	Black Wrinkle	739	Buff
707	Light Green	740	White
708	Dark Green	741	Dark Fawn
709	Dark Beige	742	Plum
710	Light Beige	743	Birch Brown
711	Oyster White	744	Satin Black
712		745	Gold-Buffer
713	Bright Cherry Red	746	Blue Grey
714	Light Ivory	747	Medium Gold
715	Peacock Blue	748	Sand
716	Bright Yellow	749	Khaki
717	Slate Grey	750	Flame Red
718	Deep Brown	751	Brite Green
719		752	Sage Green
720	Dark Brown	753	Mist Green
721	Aluminium	754	Ice Green Metallic
722	Dark Grey	755	Dark Beige Metallic
723	Light Grey Beige	756	Shell Pink
724	Rosewood Brown	757	Surf Green
725	Light Bisque	758	Colonial Rose
726	Light Fawn	759	Cream
727		760	Oak Brown
728	Grey Metallic	761	Deep Fawn
729	Russet Brown	762	Medium Green
730	Pale Green	763	Light Green Metallic
731	Light Almond Green	764	Light Gold
732	Dusty Bisque	765	Persimmon
733	Chocolate Brown		

Parts marked with an asterisk (*) are furnished only when the repairs are made at Factory.

ILLUSTRATED LIST OF PARTS FOR MACHINE No. 188K1

For General Work in Cloth ; Rotating Hook driven by steel bevel gears, spiral cut ; Drop Feed (reversible) ; Space at Right of Needle $8\frac{3}{16}$ " ; Maximum Length of Stitch, Five to the inch.

For Foot Power and Motor Drive.

No.	Plate	Description
††99642		Arm with 24131, 56015, 56070zb, 99627, 99635 to 99637 and 99687

NOTE. Due to the accuracy required for Gear alignment, Arm cannot be supplied separately and can only be sent out as a unit, Arm and Bed assembled.

4389	1919	Arm Dowel Pin (2)	...
24131	1919	" Oil Tube with 52045, for oiling 99698	...
99627	2897	" " " " 52045, " " 99615 and 99616	...
99635	2897	" " " " 52045, " " 52022	...
99636	2897	" " " " 52045, " " 52024	...
52045	2897	" " " " Packing (cotton)	...
118c	2897	" Screw (3)	...
99643	2897	" Shaft (horizontal)	...
99644	2897	" " (") Bevel Gear with two 1259al	...
99645	2897	" " (") " " Case (two pieces) with two 647e	...
56070zb	2897	" " (") " " " Position Pin	...
647e	2897	" " (") " " " Screw	...
1259al	2897	" " (") " " " Set Screw	...
99646	2897	" " (") Flanged Bushing (back)	...
1133al	2897	" " (") " " (") Set Screw	...
99646	2897	" " (") " " (back and front) Oil Pad (felt) (2)	...
99647	2897	" " (") " " (front)	...
99647	2897	" " (") " " (") Oil Tube	...
443al	2897	" " (") " " (") Set Screw	...
99648	2897	" " (upright)	...
143014	2897	" " (") Bevel Gear (lower) with two 1259al	...
1259al	2897	" " (") " " (") Set Screw	...
143015	2897	" " (") " " (upper) with two 1259al	...
1259al	2897	" " (") " " (") Set Screw	...
99649	2897	" " (") Flanged Bushing (lower)	...
99650	2897	" " (") " " (upper)	...
56015		" " (") Oil Tube (lower)	...
99637	2897	" " (") " " (upper)	...
†99651	2896	" Side Cover	...
50053b	2896	" " " Thumb Screw	...
12403	1919	" Spool Pin and Thread Eyelet (Packed with Attachments)	...
8879	2896	" " " Washer (cloth)	...

† In ordering it is necessary to state Colour of Machine.

No.	Plate	
99652		Arm Top Cover
99653		" " " Hub
99654	2896	" " " 99652 with 99653
*99655		Bed
12431zb	z896	Bed Slide for 56019zb
12431x	2896	" " " 56019x
2824	1919	" " Spring
725j	2896	" " Screw
56019zb	--	Bed Slide , complete, Nos. 2824, 12431zb and two 725j (for Black Machines)
56019x		Bed Slide , complete, Nos. 2824, 12431x and two 725j (for Two-Tone Machines)
2007	2904	Bobbin Winder Spool Pin (Packed with Attachments)
8879	2896	" " " Washer (cloth) (Packed with Attachments)
256zb	2899	Clamp Stop Motion Clamp Screw
248a	2899	" " " Stop Screw
171502	2899	" " " Washer
32618	2899	" " " Flanged Bushing
1148al	2899	" " " Set Screw
32619		Clamp Stop Motion , complete, Nos. 248a, 256zb, 1148al, 32618 and 171502
†99657	2896	Face Plate with 32755, 45874 and two 173616
51354x	2896	" " Screw
32755	2896	" " Thread Guard (lower)
45874	2896	" " " (upper)
173616	2896	" " " Rivet
50053b	2896	" " Thumb Screw
99624	2898	Feed Bar
313c	2898	" " Screw Centre (2)
1519e	2898	" " Nut (2)
99615	2900	" and Feed Lifting Eccentric with SS551al and SS552c
SS552c	2900	" " " Position Screw
SS551al	2900	" " " Set Screw
56024	2898	" Connecting Link
375c	2898	" " Hinge Screw
1518e	2898	" " Nut
99601	1787	" Dog
99602	1787	" " for Collars and Cuffs
99603	1787	" "
50117al	2898	" " Screw (2)

NOTE: No. 99601 is sent with this machine unless otherwise specified on order.

† In ordering it is necessary to state Colour of Machine.

No.	Plate	
99616	2898	Feed Forked Connection
99658		" " " 99616 with 56024, 99659, two each 375c and 1518e
375c	2898	" " " Hinge Screw
1518e	2898	" " " Nut
56027	2898	Feed Lifting Rock Shaft with 1813
56028		" " " complete, Nos. 56027 and 56029
56029	2898	" " " Crank with 157c
157c	2898	" " " Clamping Screw
56104c	2900	" " " Connecting Rod with 56105 and two 145e
*56105		" " " Cap
52280	2900	" " " Oil Pad (felt)
145e	2900	" " " Screw
375c	2898	" " " Hinge Screw
1518e	2898	" " " Nut
1813	2898	" " " Roller and Stud
50191c	2898	" " " Screw Centre (2)
1513j	2898	" " " Nut (2)
50192c	2899	" Regulating Stud
56032	2899	" " " Head with 56033
50193j	2899	" " " Cap Screw
56033	2899	" " " Stop Pin
56034	2899	" " " Lock Pin
56035	2899	" " " Spring
99659	2899	" Regulator with 4120al <i>1143(85c) 16/12</i>
375c	2898	" " Hinge Screw
1518e	2898	" " Nut
99695	2899	" " Stud
174036	2899	" " Set Screw
178e	2906	" " Spring Bracket (hook)
99696	2896	" " (") Screw
99662	2896	" Reverse Lever with 1120al and 1143al
1143al	2896	" " Return Spring
1120al	2896	" " Set Screw (long)
56039	2898	" " (short)
56040		Feed Rock Shaft
29633	2898	" " complete, Nos. 29633 and 56039
157c	2898	" " Crank with 157c
50191c	2898	" " Clamping Screw
1513j	2898	" " Screw Centre (2)
99694		" " Nut (2)
		Hand Wheel, (Disc), 2 1/2" pulley (for Motor Drive) (for France only)

No.	Plate	
125173		Hand Wheel (disc) 2 1/4" pulley (for Motor Drive) <i>only supplied when specified on order</i>
173548	2900	Hand Wheel , (Spoked), 2 1/2" pulley (for Foot Power)
5596	2906	Knee Lifter Bell Crank
56072	2906	" " " " Bracket
178(805)	2906	" " " " Screw
5601	1919	" " " " Hinge Pin
56073	2906	" " " " Spring
56074	—	Knee Lifter Bell Crank, complete, Nos. 5596, 5601, 56072 and 56073
99682	2900	Knee Lifter Lifting Lever
52028	2906	" " " " Connecting Rod
12416	2906	" " " " " " Joint
76(804)	2906	" " " " " " Screw
1521(805)	2906	" " " " " " Lock Nut
866(804)	2906	" " " " " " Hinge Screw
56076	2906	" " " " " " Link
56077	2906	" " " " " " Rivet
56071	2906	Knee Lifter Presser Bar Lifting and Releasing Lever Bracket with 56076 and 56077
86659	—	Presser Foot Plate
86660	—	" " Shank
86661	—	Presser Foot (hinged) complete, Nos. 86659 and 86660
20059	2896	" " Anchor Drive with 20058
453al	2896	" " " " Set Screw
52016	2896	" " Lifter
1058c	2896	" " " " Screw
1520r	2896	" " " " Nut
56046	2896	" " Spring
11170	2896	" " " " Washer
99619	1720	Presser Foot for general work
56083	1720	" " (double toe) for general work
56127	1720	" " for edge stitching
62527	"	" " Hinge Pin
161065	"	" " Plate
62926	"	" " Shank
161160	"	" " Spring
161066	2486	Presser Foot (spring hinged), complete, Nos. 62527, 62926, 161065 and 161160

NOTE: No. 161066 is sent with this machine unless otherwise specified on order.

No.	Plate	
174042		Rotating Hook
174043	2902	" " 174042 with two 1253al
174044	"	" " 174043 with 270874 and four 1053c
174045	"	" " 174044 with 143346, 270876 and three 1367e
174046	"	" " 174045 with 52237
55623	2902	" " Bobbin
52235	"	" " " Case
52236	"	" " " 52235 with 591f, 1380d and 40394
40393	"	" " " Hinge, Nos. 2974, 40392 and 125320
143346	2902	" " " " Holder
52018	2902	" " " " " Position Bracket
704j	2902	" " " " " " Screw
40392	2902	" " " " " Latch
125320	2902	" " " " " Lever
2974	2902	" " " " " " Fulcrum Pin
2975	2902	" " " " " " Spring
592e	2902	" " " " " " Stop Screw
591f	2902	" " " " " " Tension Regulating Screw
40394	2902	" " " " " " Spring
1380d	2902	" " " " " " " Screw
52237	2902	" " " " " " complete, Nos. 592e, 2975, 40393 and 52236
143345	"	" " " " " 52237 with 143346 (for agents only)
270876	2902	" " " " " Section
1367e	2902	" " " " " " Screw
1253al	2902	" " " " " " Set Screw
99674	2897	" " " " " " Shaft
143081	2897	" " " " " " Bevel Gear with two 1259al
144790	2897	" " " " " " Case (two pieces) complete, Nos. 140184, 142005 and three 145e
140184	2897	" " " " " " Gear Case Drain Plug
142005	2897	" " " " " " " Grease Fitting
145e	2897	" " " " " " " " Screw
1259al	2897	" " " " " " " " Set Screw
99672	2897	" " " " " " " Bushing (back)
443al	2897	" " " " " " " () Set Screw
99685	2897	" " " " " " " (back and front) Oil Pad (left) (2)
99673	2897	" " " " " " " (front)
443al	2897	" " " " " " " () Set Screw
270874	2902	" " " " " " " Thread Guard
1053c	2904	" " " " " " " " Screw
99690	2897	Set of Mated Gears (for upper shaft) Nos. 99644 and 143015
143295	2897	" " " " " " (for lower shaft) Nos. 143014 and 143081

No.	Plate	
99674	2902	Slack Thread Regulator
225f	2902	" " " Adjusting Screw
†99675	2900	Spool Holder Base
99653	2900	" " " Hub
SS743c	2900	" " " " Screw
204296	2900	" " Wire
200079h	2900	" " " Hinge Screw
99676	—	Spool Holder , complete, Nos. SS743c, 99653, 99675, 200079h and 204296 (Packed with Attachments)
2102	2901	Tension Disc
45866	2901	" Indicator
45864	2901	" " Flange
99691	2901	" " " Washer
NN128	2901	Tension Regulating Thumb Nut
45339	2901	" " " " Engaging Pin
56056	2901	" Releasing Lever
12398	2901	" " " Hinge Pin
12329	2901	" " " Spring
32574	2901	" " Pin
SS744c	2901	" Screw Stud
99693	—	" " " SS744c with NN128 (for Agents only)
50305a1	2903	" " " Set Screw
45869	2901	" Spring
99692	—	Tension , complete, Nos. NN128, SS744c, 32574, 32758, 45864, 45866, 45869, 99691, 142090 and two 2102
36555	2903	Thread Gutter and Holder
99678	2903	" Guard (side of arm)
52454	2903	" Retainer
624a1	2903	" " Set Screw
99634	2903	" Take-up Crank
1036c	2903	" " " Position Screw
1259a1	2903	" " " Set Screw
52022	1919	Thread Take-up Lever with 52130
52024	1919	" " " Link
99679	2903	" " " Hinge Pin
448a1	2903	" " " " " Set Screw
52130	2903	" " " Thread Eyelet Bushing
166035	—	Thread Take-up Lever , complete, Nos. 52022 and 52024
99680	—	Thread Take-up , complete, Nos. 775c, 99634, 99679, 99698 and 166035

† In ordering it is necessary to state Colour of Machine.

No.	Plate	
32758	2903	Thread Take-up Spring
142090	2903	" " " Regulator with 50305a1
448a1	2903	" " " " Set Screw
56065x	1787	Throat Plate , large needle hole, for 99601 and 99603 (for Two-Tone Machines)
56065zb	1787	Throat Plate , large needle hole, for 99601 and 99603 (for Black Machines)
56066	1787	Throat Plate , small needle hole, for 99601 and 99603
56089	1787	" " " for 99602
691x	2897	" " " Screw (2) (for Two-Tone Machines)
691za	2897	" " " (2) (for Black Machines)

NOTE: No. 56065 is sent with this machine unless otherwise specified on order.

56987	6155	Drip Pan with four 1 in. wire nails
-------	------	---

Attachment Set

No.	Plate	
55623	2902	Rebbin

(under Attachments)

RUFFLER (for Power)

No.	Plate	
86061	—	Driving Lever
560(802)	—	" " Adjusting Thumb Screw
1603(808)	—	" " " " " Lock Nut
86062	—	" " " Quadrant
9521	—	" " " Friction Washer
109169(806)	—	" " " Stud Screw
9521	—	" " " " " Washer
1550(809)	—	" " " " " Nut
86063	—	Ruffling Blade
86064	—	" " Lever
109170(806)	—	" " " Stud Screw
85325	—	" " " " " Washer
1550(809)	—	" " " " " Nut
109132(804)	—	" " " Screw
86065	—	Presser Foot
86067	—	" " 86065 with 86167
86066	—	" " Base Plate
240(804)	—	" " " " Screw
86167	—	" " Extension
86168	—	" " Top Guide
240(804)	—	" " " " Screw
86069	—	Ruffler , complete, Nos. 560(802), 1603(808), 85325, 86061 to 86064, 86066, 86067, 86168, 109169(806), 109170(806), two each 240(804), 1550(809), 9521 and 109132(804)

86068	—	Ruffler Shirring Plate (used with but not included in 86069)
-------	---	---

Bobbin Winder (Automatic)

No.	Plate	
15072	2904	Bobbin Position Pin
†125476	2905	Bracket (belt cover)
105779 (foss) +58c	2904 1/16 2	" Screw
†66670	2905	Frame
105046	-	" 66670 with 15288 and 105047
51319b	2904	" Hinge Screw
66601	2904	" Spring
15287	2904	Friction Ring (rubber)
15288	2904	Pulley
105047	2905	Spindle with 15042
45268	2905	Stop Latch
51303b	2904	" " Hinge Screw
125462	2904	" " Spring
125395	2905	Tension Bracket
125396	"	" " complete, Nos. 45847, 45915, 45916, 125395 and 140138b
193b	2904	" " Screw
45915	2904	" Disc
45916	2904	" " Screw Washer
45847	2904	" " Spring
140138b	2904	" Screw
125326	2905	Tripping Arm
190r	2904	" " Screw
99681	2905	Bobbin Winder (automatic), complete, Nos. 190r, 15287, 15268, 51303b, 51319b, 66601, 105046, 125326, 125462 and 125476

† In ordering it is necessary to state Colour of Machine.

Knee Lifter

No.	Plate	
5596	2906	Bell Crank
56072	2906	" Bracket
178c	2906	" " " Screw
5601	1919	" " " Hinge Pin
56073	2906	" " " Spring
56074	-	Bell Crank , complete, Nos. 5596, 5601, 56072 and 56073
99682	2906	Lifting Lever
52028	2906	" " " Connecting Rod
12414	2906	" " " " " Joint
76d	2906	" " " " " Hinge Screw
1521zj	2906	" " " " " Lock Nut
866d	2906	" " " " " Hinge Screw
56076	2906	" " " " " Link
56077	2906	" " " " " Rivet
56071	2906	Presser Bar Lifting and Releasing Lever Bracket with 56076 and 56077
2763	6455	Rock Shaft
56078	6455	" " " Hanger with two Wood Screws 1 in. No. 10
56079	6455	" " " Knee Arm with 356al
356al	2906	" " " " " Set Screw
56080	6455	" " " Lifting Arm with 356al
356al	2906	" " " " " Set Screw
56081	6455	Rock Shaft , complete, Nos. 2763, 56079, 56080 and two 56078...
99683	-	Knee Lifter , complete, Nos. 76d, 866d, 1521zj, 12414, 52028, 56071, 56074, 56081, 99682 and two 178c

Spool Holder

(Disc)

(Supplied only when specified on order and at an extra charge).

No.	Plate	
26763	2900	Bracket
922d	2900	" Thumb Screw
19066	2897	Spindle...
19067	2900	" Thread Guiding Disc
691f	2897	" " " " Screw
99684	--	Spool Holder, complete, Nos. 691f, 19066, 19067, 26763 and two 922d

Light Fixture

(Supplied only when specified on order and at an extra charge).

No.	Plate	
195230-585	--	Light Fixture (blue glass lens) complete

NUMERICAL LIST OF PARTS

No.	Plate	
76d	2906	Knee Lifter Lifting Lever Connecting Rod Joint Hinge Screw for 99683
118e	2897	Arm Screw
NX128	2901	Tension Regulating Thumb Nut for 99692 and 99693
145e	2900	Feed Lifting Rock Shaft Crank Connecting Rod Cap Screw for 56104
145e	2897	Rotating Hook Shaft Bevel Gear Case Screw for 144790
157c	2898	Feed Lifting Rock Shaft Crank Clamping Screw for 56029
157c	2898	Feed Rock Shaft Crank Clamping Screw for 29633
158e	2904	Bobbin Winder Bracket Screw <i>Dr. Lee's Patent No. 117 (118)</i>
178e	2906	Feed Regulator Spring Bracket (hook) Screw
178e	2906	Knee Lifter Bell Crank Bracket Screw for 99683
190r	2904	Bobbin Winder Tripping Arm Screw for 99681
193b	2904	Bobbin Winder Tension Bracket Screw
225f	2902	Slack Thread Regulator Adjusting Screw
290.1	2901	Needle Bar Thread Guard Screw
240(804)	—	Ruffler Presser Foot Base Plate Screw for 86069
240(804)	—	Ruffler Presser Foot Top Guide Screw for 86069
356a	2906	...
356al	2906	Knee Lifter Rock Shaft Knee Arm Set Screw for 56079
356al	2906	Knee Lifter Rock Shaft Lifting Arm Set Screw for 56080
375c	2898	Feed Connecting Link Hinge Screw
375c	2898	Feed Forked Connection Hinge Screw for 99658
375c	2898	Feed Lifting Rock Shaft Crank Connecting Rod Hinge Screw
375c	2898	Feed Regulator Hinge Screw
443al	2897	Arm Shaft (horizontal) Flanged Bushing (front) Set Screw
443al	2897	Rotating Hook Shaft Bushing (back) Set Screw
443al	2897	Rotating Hook Shaft Bushing (front) Set Screw
448al	2903	Thread Take-up Lever Link Hinge Pin Set Screw
448al	2903	Thread Take-up Spring Regulator Set Screw

No.	Plate	
453a	2896	Presser Bar Guide Bracket Set Screw for 20059
SS551a	2900	Feed and Feed Lifting Eccentric Set Screw for 99615
<i>10/62</i> 560(802)	2900	Feed and Feed Lifting Eccentric Position Ruffler Driving Lever Adjusting Thumb Screw for 86069
5911	2902	Rotating Hook Bobbin Case Latching Screw for 52236
592e	2902	Rotating Hook Bobbin Case Latch Stop Screw for 52237
624a	2903	Thread Retainer Set Screw
647c	2897	Arm Shaft (horizontal) Bevel Gear Case Screw for 99645
662d	1720	Presser Foot Braid Guide Screw for 36549
691x	2897	Throat Plate Screw (for Two-Tone Machines)
691za	2897	Throat Plate Screw (for Black Machines)
691f	2897	Spool Holder Spindle Thread Guiding Disc Screw for 99684
704j	2902	Rotating Hook Bobbin Case Holder Position Bracket Screw
725j	2896	Bed Slide Spring Screw for 56019x and 56019zb
732b	2904	Cloth Guide Thumb Screw for 86505
SS743e	2900	Spool Holder Base Hub Screw for 99676
SS744e	2901	Tension Screw Stud for 99692 and 99693
775e	2901	Needle Bar Connecting Link Cap Screw for 99680
866d	2906	Knee Lifter Lifting Lever Hinge Screw for 99683
922d	2900	Spool Holder (disc) Bracket Thumb Screw for 99684
1036c	2903	Thread Take-up Crank Position Screw for 99664
1053e	2904	Rotating Hook Thread Guard Screw for 174044
1058c	2896	Presser Bar Lifter Screw
1065a	2901	Needle Bar Crank Position Screw for 99664
1082zb	2896	Pressure Regulating Thumb Screw
1120a	2899	Feed Regulator Hinge Stud Set Screw for 99659
1120a	2896	Feed Reverse Lever Set Screw (short) for 99696
1133a	2897	Arm Shaft (horizontal) Flanged Bushing (back) Set Screw
1133a	2896	Needle Bar Bushing (lower) Set Screw
1133a	2896	Needle Bar Bushing (upper) Set Screw

No.	Plate	
<i>10/62</i> 1143(830)	2896	Feed Regulator Hinge Stud Set Screw for 99659
1148a	2899	Clamp Stop Motion Flanged Bushing Set Screw for 32619
1252a	2902	Rotating Hook Set Screw for 174043
1259a	2897	Arm Shaft (horizontal) Bevel Gear Set Screw for 99644
1259a	2897	Arm Shaft (upright) Bevel Gear (lower) Set Screw for 143014
1259a	2897	Arm Shaft (upright) Bevel Gear (upper) Set Screw for 143015
1259a	2897	Rotating Hook Shaft Bevel Gear Set Screw for 143081
1259a	2903	Thread Take-up Crank Set Screw for 99664
1367c	2902	Rotating Hook Section Screw for 174045
1380d	2902	Rotating Hook Bobbin Case Tension Spring Screw for 52236
1513j	2898	Feed Lifting Rock Shaft Screw Centre Nut
1513j	2898	Feed Rock Shaft Screw Centre Nut
1513e	2898	Feed Connecting Link Hinge Screw Nut
1518c	2898	Feed Forked Connection Hinge Screw Nut for 99658
1518c	2898	Feed Lifting Rock Shaft Crank Connecting Rod Hinge Screw Nut
1518c	2898	Feed Regulator Hinge Screw Nut
1519c	2898	Feed Par Screw Centre Nut
1520f	2896	Presser Bar Lifter Screw Nut
<i>1521(100)</i> 4521zb	2906	Knee Lifter Lifting Lever Connecting Rod
<i>10/62</i> 1550(809)	—	Ruffler Driving Lever Quadrant Stud Screw Washer Nut for 86069
1550(809)	—	Ruffling Blade Lever Stud Screw Washer Nut for 86069
1603(808)	—	Ruffler Driving Lever Adjusting Thumb Screw Lock Nut for 86069
2763	6455	Knee Lifter Rock Shaft for 56081
2821	1919	Bed Slide Spring for 56019x and 56019zb
2971	2902	Rotating Hook Bobbin Case Latch Lever Fulcrum Pin for 40393
2975	2902	Rotating Hook Bobbin Case Latch Spring for 52237
4389	1919	Arm Dowel Pin
5596	2906	Knee Lifter Bell Crank for 56074
5601	1919	Knee Lifter Bell Crank Hinge Pin for 56074
8879	2896	Arm Spool Pin Washer (cloth) (Packed with Attachments)
8879	2896	Bobbin Winder Spool Pin Washer (cloth) (Packed with Attachments)
9521	—	Ruffler Driving Lever Quadrant Friction Washer for 86069
9521	—	Ruffler Driving Lever Quadrant Stud Screw Washer for 86069

No.	Plate	
11170	2896	Presser Bar Spring Washer
12329	2901	Tension Releasing Lever Spring
12398	2901	Tension Releasing Lever Hinge Pin
12403	1919	Arm Spool Pin and Thread Eyelet (Packed with Attachments)
12416	2906	Knee Lifter Lifting Lever Connecting Rod Joint for 99683
12431x	2896	Bed Slide for 56019x
12431zb	2896	Bed Slide for 56019zb
15072	2904	Bobbin Winder Bobbin Position Pin for 105047
15287	2904	Bobbin Winder Friction Ring (rubber) for 99681
15288	2904	Bobbin Winder Pulley for 105046
19066	2897	Spool Holder (disc) Spindle for 99684
19067	2900	Spool Holder (disc) Spindle Thread Guiding Disc for 99684
20059	2896	Presser Bar Guide Bracket with 453al
24041	1919	Needle Bar Connecting Stud with 140706al for 99698
24131	1919	Arm Oil Tube with 52045, for oiling 99698 for 99642
25878	2486	Cloth Guide for 86505
26763	2900	Spool Holder (disc) Bracket for 99684
29532	1919	Needle Bar Oil Cup for 99625
29633	2898	Feed Rock Shaft Crank with 157c, for 56040
32574	2901	Tension Releasing Pin for 99692
32618	2899	Clamp Stop Motion Flanged Bushing for 32619
32619	—	Clamp Stop Motion, complete, Nos. 248a, 256zb, 1148al, 32518 and 171502
32755	2896	Face Plate Thread Guard (lower) for 99657
32758	2903	Thread Take up Spring for 99592
36549	1720	Presser Foot with two each 662d and 36550, for Braiding
36550	1720	Presser Foot Braid Guide for 36549
36551	1720	Presser Foot for Cording
36554	1720	Presser Foot (narrow) for Tailoring, for 86505
36555	2903	Thread Cutter and Holder
36837	1720	Felling Foot for 86505
36838	1720	Hemmer Foot, $\frac{1}{8}$ " hem, for 86505
36839	—	Hemmer Foot, $\frac{3}{16}$ " hem, for 86505
36840	1720	Presser Foot, for gathering, for 86505
40392	2902	Rotating Hook Bobbin Case Latch for 40393
40393	—	Rotating Hook Bobbin Case Hinge, Nos. 2974, 40392 and 125320, for 52237

No.	Plate	
40394	2902	Rotating Hook Bobbin Case Tension Spring for 52236
45268	2905	Bobbin Winder Step Latch for 99681
45339	2901	Tension Regulating Thumb Nut Engaging Pin
45847	2904	Bobbin Winder Tension Disc Spring for 125396
45864	2901	Tension Indicator Flange for 99692
45866	2901	Tension Indicator for 99692
45869	2901	Tension Spring for 99692
45874	2896	Face Plate Thread Guard (upper) for 99657
45915	2904	Bobbin Winder Tension Disc for 125396
45916	2904	Bobbin Winder Tension Disc Screw Washer for 125396
50053b	2896	Arm Side Cover Thumb Screw
50053b	2896	Face Plate Thumb Screw
50117al	2898	Feed Dog Screw
50190b	2896	Presser Foot Thumb Screw
50191c	2898	Feed Lifting Rock Shaft Screw Centre
50191c	2898	Feed Rock Shaft Screw Centre
50192e	2899	Feed Regulating Stud
50193j	2899	Feed Regulating Stud Head Cap Screw
50305al	2903	Tension Screw Stud Set Screw for 142090
51303b	2901	Bobbin Winder Stop Latch Hinge Screw for 99681
51319b	2901	Bobbin Winder Frame Hinge Screw for 99681
51354x	2896	Face Plate Screw
52016	2896	Presser Bar Lifter
52018	2902	Rotating Hook Bobbin Case Holder Position Bracket
52022	1919	Thread Take-up Lever with 52130, for 166035
52024	1919	Thread Take-up Lever Link for 166035
52028	2906	Knee Lifter Lifting Lever Connecting Rod for 99683
52045	2897	Arm Oil Tube Packing (cotton) for 24131, 99627, 99635 and 99636
52130	2903	Thread Take-up Lever Thread Eyelet Bushing for 52022
52235	—	Rotating Hook Bobbin Case for 52236
52236	—	Rotating Hook Bobbin Case 52235 with 5911, 1380d and 40394 for 52237
52237	2902	Rotating Hook Bobbin Case, complete, Nos. 592e, 2975, 40393 and 52236 for 143345 and 174046
52280	2900	Feed Lifting Rock Shaft Crank Connecting Rod Cap Oil Pad (felt)
52454	2903	Thread Retainer
55623	2902	Rotating Hook Bobbin for 86505

No.	Plate	
56015	---	Arm Shaft (upright) Oil Tube (lower) for 99642
56019x	---	Bed Slide, complete, Nos. 2824, 12431x and two 725j (for Two Tone Machines)
56019zb	---	Bed Slide, complete, Nos. 2824, 12431zb and two 725j (for Black Machines)
56024	2898	Feed Connecting Link for 99658
56027	2898	Feed Lifting Rock Shaft with 1813, for 56028
56028	---	Feed Lifting Rock Shaft, complete, Nos. 56027 and 56029
56029	2898	Feed Lifting Rock Shaft Crank with 157c, for 56028
56032	2899	Feed Regulating Stud Head with 56033
56033	2899	Feed Regulating Stud Head Stop Pin for 56032
56034	2899	Feed Regulating Stud Lock Pin
56035	2899	Feed Regulating Stud Lock Pin Spring
56039	2898	Feed Rock Shaft for 56040
56040	---	Feed Rock Shaft, complete, Nos. 29633 and 56039
56042	2896	Needle Bar Bushing (upper)
56044	2901	Needle Canp with 140545zc
56046	2896	Presser Bar Spring
56056	2901	Tension Releasing Lever
56065x	1787	Throat Plate, large needle hole, for 99601 and 99603 (for Two-Tone Machines)
56065zb	1787	Throat Plate, large needle hole, for 99601 and 99603 (for Black Machines)
56066	1787	Throat Plate, small needle hole, for 99601 and 99603
56070/b	2897	Arm Shaft (horizontal) Bevel Gear Case Position Pin for 99642
56071	2906	Knee Lifter Presser Bar Lifting and Releasing Lever Bracket with 56076 and 56077 for 99683
56072	2906	Knee Lifter Bell Crank Bracket for 56074
56073	2906	Knee Lifter Bell Crank Spring for 56074
56074	---	Knee Lifter Bell Crank, complete, Nos. 5596, 5601, 56072 and 56073 for 99683
56076	2906	Knee Lifter Lifting Lever Link for 56071
56077	2906	Knee Lifter Lifting Lever Link Rivet for 56071
56078	6455	Knee Lifter Rock Shaft Hanger with two Wood Screws 1" No. 10, for 56081
56079	6455	Knee Lifter Rock Shaft Knee Arm with 356al for 56081

No.	Plate	
56080	6455	Knee Lifter Rock Shaft Lifting Arm with 356al for 56081
56081	6455	Knee Lifter Rock Shaft, complete, Nos. 2763, 56079, 56080 and two 56078 for 99683
56083	1720	Presser Foot (double toe) for general work
56087	6455	Drip Pan with four 1" Wire Nails
56089	1787	Throat Plate for 99602
56104	2900	Feed Lifting Rock Shaft Crank Connecting Rod with 56105 and two 145c
*56105	---	Feed Lifting Rock Shaft Crank Connecting Rod Cap for 56104
56127	1720	Presser Foot, for edge stitching
62527	---	Presser Foot Hinge Pin for 161066
62926	---	Presser Foot Shank for 161066
66601	2904	Bobbin Winder Frame Spring for 99681
†66670	2905	Bobbin Winder Frame for 105046
85325	---	Ruffling Blade Lever Stud Screw Washer for 86069
86061	---	Ruffler Driving Lever for 86069
86062	---	Ruffler Driving Lever Quadrant for 86069
86063	---	Ruffling Blade for 86069
86064	---	Ruffling Blade Lever for 86069
86065	---	Ruffler Presser Foot for 86067
86066	---	Ruffler Presser Foot Base Plate for 86069
86067	---	Ruffler Presser Foot 86065 with 86167 for 86069
86068	---	Ruffler Shirring Plate for 86069
86069	---	Ruffler (for Power) complete, Nos. 560(802), 1603(808), 85325, 86061 to 86064, 86066, 86067, 86168, 109169(806), 109170(806), two each 240(804), 1550(809), 9521 and 109132(804)
86167	---	Ruffler Presser Foot Extension for 86067
86168	---	Ruffler Presser Foot Top Guide for 86069
86659	---	Presser Foot Plate for 86661
86660	---	Presser Foot Shank for 86661
86661	---	Presser Foot (hinged) complete, Nos. 86659 and 86660
99637	2897	Arm Shaft (upright) Oil Tube (upper) for 99642
†*99642	---	Arm with 24131, 56015, 56070zb, 99627, 99635 to 99637 and 99687

† In ordering it is necessary to state Colour of Machine.

No.	Plate	
99643	2897	Arm Shaft (horizontal)
99644	2897	Arm Shaft (horizontal) Bevel Gear with two 1259al for 99690
99645	2897	Arm Shaft (horizontal) Bevel Gear Case (two pieces) with two 647e
99646	2897	Arm Shaft (horizontal) Flanged Bushing (back)
99647	2897	Arm Shaft (horizontal) Flanged Bushing (front)
99648	2897	Arm Shaft (upright)
99649	2897	Arm Shaft (upright) Flanged Bushing (lower)
99650	2897	Arm Shaft (upright) Flanged Bushing (upper)
†99651	2896	Arm Side Cover
99652	-	Arm Top Cover for 99654
99653	-	Arm Top Cover Hub for 99654
99653	2900	Spool Holder Base Hub for 99676
99654	2896	Arm Top Cover 99652 with 99653
*99655	-	Bed
†99657	2896	Face Plate with 32755, 45874 and two 173616
99658	-	Feed Forked Connection 99616 with 56024, 99659, two each 375c and 1518c
99659	2899	Feed Regulator with 1120al ^{1120al} for 99658
99662	2896	Feed Reverse Lever Return Spring
99663	2896	Needle Bar (hollow)
99664	2901	Needle Bar Crank with 1036c, 1065al and 1259al
99665	2896	Presser Bar (hollow)
99671	2897	Rotating Hook Shaft
99672	2897	Rotating Hook Shaft Bushing (back)
99673	2897	Rotating Hook Shaft Bushing (front)
99674	2902	Slack Thread Regulator
†99675	2900	Spool Holder Base for 99676
99676	-	Spool Holder, complete, Nos. SS743c, 99653, 99675, 200079h and 204296 (Packed with Attachments)
99678	2903	Thread Guard (side of arm)
99679	2903	Thread Take-up Lever Link Hinge Pin for 99680
99680	-	Thread Take-up, complete, Nos. 775c, 99631, 99679, 99698 and 166035
99681	2905	Bobbin Winder (automatic) complete, Nos. 190r, 15287, 45268, 51303b, 51319b, 66601, 105046, 125326, 125462 and 125476
99682	2900	Knee Lifter Lifting Lever for 99683

† In ordering it is necessary to state Colour of Machine.

No.	Plate	
— 99683	—	Knee Lifter, complete, Nos. 76d, 866d, 1521zj, 12416, 52028, 56071, 56074, 56081, 99682 and two 178c ^{1e/2}
99684	-	Spool Holder (disc), complete, Nos. 691f, 19066, 19067, 26763 and two 922d (Supplied only when specified on order and at an extra charge)
99685	2897	Rotating Hook Shaft Bushing (back and front) Oil Pad (felt)
99686	2897	Arm Shaft (horizontal) Flanged Bushing (back and front) Oil Pad (felt)
99687	2897	Arm Shaft (horizontal) Flanged Bushing (front) Oil Tube for 99642
99690	2897	Set of Mated Gears (for upper shaft), Nos. 99644 and 143015
99691	2901	Tension Indicator Flange Washer for 99692
99692	-	Tension, complete, Nos. NN128, SS744c, 32574, 32758, 46864, 45866, 45869, 99691, 142090 and two 2102
99693	-	Tension Screw Stud SS744c with NN128 (for Agents only)
99694	-	Hand Wheel, (Disc), 2½" pulley (for Motor Drive) (for France only)
99695	2899	Feed Regulator Hinge Stud
99696	2896	Feed Reverse Lever with 1120al and 1143al
99697	2901	Needle Bar Connecting Link for 99698
99698	2901	Needle Bar Connecting Link 99697 with 24011 for 99680

No.	Plate	
105046	—	Bobbin Winder Frame 66670 with 15288 and 105047 for 99681
109132(804)	—	Bobbin Winder Spindle with 15079 for 105046 Ruffling Blade Screw for 86069
109169(806)	—	Ruffler Driving Lever Quadrant Stud Screw for 86069
109170(806)	—	Ruffling Blade Lever Stud Screw for 86069
109779(805)	—	Bobbin Winder Bracket Screw
125395	2905	Bobbin Winder Tension Bracket for 125396
125396	—	Bobbin Winder Tension Bracket, complete, Nos. 45847, 45915, 45916, 125395 and 140138b
125462	2904	Bobbin Winder Stop Latch Spring for 99681
125473	—	Hand Wheel (disc) 2½" pulley (for Motor Drive) (only supplied when specified on order)
†125476	2905	Bobbin Winder Bracket (belt cover) for 99681
127323	1919	Needle Bar Thread Guard
140138b	2904	Bobbin Winder Tension Screw for 125396
140184	2897	Rotating Hook Shaft Bevel Gear Case Drain Plug for 144790
140545zc	2901	Needle Clamp Screw for 56044
140796al	2901	Needle Bar Connecting Stud Clamping Screw for 24041
142005	2897	Rotating Hook Shaft Bevel Gear Case Grease Fitting for 144790
142090	2903	Thread Take-up Spring Regulator with 50305al for 99692
143014	2897	Arm Shaft (upright) Bevel Gear (lower) with two 1259al for 143295
143015	2897	Arm Shaft (upright) Bevel Gear (upper) with two 1259al for 99690
143081	2897	Rotating Hook Shaft Bevel Gear with two 1259al for 143295
143295	2897	Set of Mated Gears (for lower shaft) Nos. 143014 and 143081
143345	—	Rotating Hook Bobbin Case 52237 with 143346 (for agents only)
143346	2902	Rotating Hook Bobbin Case Holder for 143345 and 174045
144790	2897	Rotating Hook Shaft Bevel Gear Case (two pieces) complete, Nos. 140184, 142005 and three 144790
161065	—	Presser Foot Plate for 161066
161066	2486	Presser Foot (spring hinged) complete, Nos. 62527, 62926, 161065 and 161160

† In ordering it is necessary to state Colour of Machine.

No.	Plate	
161160	—	Presser Foot Spring for 161066
161294	2486	Screw Driver (large) for 86505
161295	2486	Screw Driver (small) for 86505
166035	—	Thread Take-up Lever, complete, Nos. 52022 and 52024 for 99680
171502	2899	Clamp Stop Motion Clamp Washer for 32619
173548	2900	Hand Wheel, (Spoked) 2½" Pulley (for Foot Power)
173616	2896	Face Plate Thread Guard Rivet for 99657
174036	2899	Feed Regulator Spring Bracket (hook)
174042	—	Rotating Hook for 174043
174043	2902	Rotating Hook 174042 with two 1253al for 174044
174044	—	Rotating Hook 174043 with 270874 and four 1053e for 174045
174045	—	Rotating Hook 174044 with 143346, 270876 and three 1367e for 174046
174046	—	Rotating Hook 174045 with 52237
195230-585	—	Light Fixture (blue glass lens) with 10" tube, moulded shape, adjustable swivel joint, complete
2000790	2900	Spool Holder Wire Hinge Screw for 99676
204296	2900	Spool Holder Wire for 99676
270874	2902	Rotating Hook Thread Guard for 174044
270876	2902	Rotating Hook Section for 174045