

SINGER Little Touch & Sew 67A

the little
Touch & Sew
Sewing Machine
SINGER



INSTRUCTION MANUAL

What's new for tomorrow is at SINGER today!*



Table of Contents

| Next Page

Table of Contents

- A Message to the Young Seamstress
- A Message to Mother
- Happy Birthday to You, a story
- Assembling the Sewing Table
- Setting Up Your Sewing Machine
- Replacing the Machine
- A Name for Everything
- A Job for Everything
- The Bobbin
- How to Thread the Needle
- How to Change the Needle
- The Tension Dial
- How to Place Your Fabric
- How to Start Stitching
- How to End a Seam
- The Adapter
- Dog's Coat Pattern
- Hankie Holder Pattern
- Stocking Holder Pattern
- Apron Pattern
- Doll's Nightie Pattern
- Scarf Pattern
- Contact Singer



A message to the young seamstress!

THE SINGER COMPANY designed the Little Touch & Sew sewing machine especially for little ladies like you. It's lots of fun to play with and you can make grown-up things, too.

Your sewing machine has a real bobbin and will make a real lockstitch. It has many other special Singer features just like those on big machines. You must learn how to use every part correctly.

Before you begin to sew anything, ask Mother to read this book with you. Look carefully at every picture and read every word with her. Then ask her to explain anything you don't understand. When you know all about your machine, you will be ready to begin sewing. It's easy when you do it the right way.

SINGER Little Touch & Sew 67A

A Message To Mother

Sewing is fun and a big accomplishment for a young girl. With a little encouragement, your daughter can learn this basic domestic skill quickly and easily. It's never too early to start developing an awareness of style and good taste.

THE SINGER COMPANY designed the Little Touch & Sew sewing machine with safety and simplicity in mind. Perhaps a mother's most common fear is that her child will accidentally sew over a finger or hand. This is virtually impossible with the molded plastic presser foot on your child's machine. As you look over this machine, you'll find many other features designed for safe and simple sewing.

If your daughter is very young, you can remove the batteries that come in her machine and let her begin sewing by using the hand crank. When you feel your daughter has become more adept at sewing, you may wish to purchase the electrical adapter available at your local Singer Center.

This instruction book has been especially prepared to teach the young beginner how to thread and operate her sewing machine safely and efficiently. For best results, however, we suggest that you sit down with your daughter and go over each page with her step by step. In no time at all she'll be sewing by herself.

SINGER

Little Touch & Sew 67A

Happy Birthday to you. Happy Birthday to you...
Happy Birthday dear Stephanie, Happy Birthday to you

Stephanie's family stood around her bed and sang as loudly as they could to wake her up.

"Good morning, everyone," said Stephanie as she sat up in bed. She laughed as she looked around the room and saw lots of gifts.

Her mother handed her a flat red one with lacy silver ribbons.

Stephanie opened it in a hurry. Something pink was showing through all the tissue paper. She pulled out a long bathrobe with baby kittens appliqued on the pockets.

Mother said, "I hope you like it, honey. I made it myself with the Touch & Sew sewing machine that Daddy gave me last Christmas."

"Oh yes, yes. It's beautiful, Mummy," replied Stephanie. "Thank you. Then she ran to give her mother a big hug and kiss.

"Open my package next," demanded her sister Barbara. She handed Stephanie a square package wrapped in blue paper and wide ribbons of golden velvet.

"I can hardly wait to see what it is," said Stephanie as she took off all the wrappings.

"Oh, she's lovely!" exclaimed Stephanie. She pulled out a beautiful doll with long blond hair and big blue eyes just like her own.

SINGER

Little Touch & Sew 67A

"I'm going to name her Carolyn. Then she will have the same name as Mother," said Stephanie.

"Thank you, Barbara," she said. She threw her sister a kiss from across the room.

All of a sudden Stephanie heard a squeaky little noise. "Where did that come from?" she asked.

Father pointed to a shiny gold package on the floor.

Stephanie jumped out of bed to see what it was. "Why is that funny hole in the lid?" she wondered.

Carefully Stephanie opened the lid. A soft little black and white spotted puppy was in the box.

Stephanie put her hand in to touch the puppy's wet little nose. The puppy jumped up and licked her hand with his tiny pink tongue.

"That's how a puppy kisses you," explained Father.

Stephanie kissed her puppy on the top of his spotted head. "You are so cute, little puppy," she told him. "I will name you McGurk."

Stephanie said, "Thank you, Daddy, thank you." Then she ran across the room to kiss her father.

There was only one present left to open. Grandmother handed her a big box all wrapped in pink flowered paper. "Whatever could that be?" asked Stephanie.

"Open it and see," replied Grandmother.

SINGER

Little Touch & Sew 67A

Stephanie took the paper off in a big hurry. Father helped her open the box. Stephanie's eyes lighted up when she saw what was inside.

"Look, look!" she exclaimed, "a Little Touch & Sew sewing machine just like Mummy's big one."

"Oh, look," said Barbara, "it even has a real bobbin."

"Yes, that is so it can make a strong lockstitch just as Mother's machine does," Father explained

"Now that you are a big girl," said Grandmother, "you should learn how to sew. Right after breakfast we'll sit down together and I'll show you how easy it is."

"A real sewing machine just like Mother's," sang Stephanie. "A real sewing machine just like Mother's. I really am a big girl now."

"I'll take good care of it, Grandmother," she promised. "I'll take good care of it just as Mother does with hers."

"Thank you, Grandmother," she said. Then she gave her grandmother a big hug and kiss.

McGurk gave a squeaky little bark.

"Oh, oh! I think McGurk is hungry," said Barbara.

"So am I," said Stephanie.

"And so am I," said Daddy and Mother and Grandmother.

SINGER

Little Touch & Sew 67A

So they all went downstairs to eat Stephanie's favorite breakfast of pancakes covered with Grandmother's homemade strawberry jam.

"Mmmm, mmmm, it's all so good," declared Stephanie. "This is my happiest birthday."

Even before she was finished eating, Stephanie began planning all the things she would make with her Little Touch & Sew machine.

"First I think I'll make a yellow scarf trimmed with white ribbons for Barbara to wear at the beach."

"Then I'll sew a nightie for Carolyn. I will make it pink to match the bathrobe that Mummy made for me."

"I'll make Daddy a hankie holder. That will keep his top drawer from being such a mess."

"Grandmother needs a new apron. I will sew a pretty new apron for her."

"After I finish sewing the apron, I will make a soft stocking holder for Mummy. Then she won't get any more snags in her stockings."

"Oh, McGurk! Did you think I forgot you ? I'm going to sew a coat for you. Then you won't get cold when we go for long walks in the winter."

Everyone laughed at Stephanie's enthusiasm.

"We will make one thing at a time," Grandmother told her. "First, let's clear the table and then we'll start."

SINGER

Little Touch & Sew 67A

Stephanie helped her grandmother clear the table. Grandmother washed the dishes while she dried them.

"Hurry, Grandmother, I can't wait to start," she said.

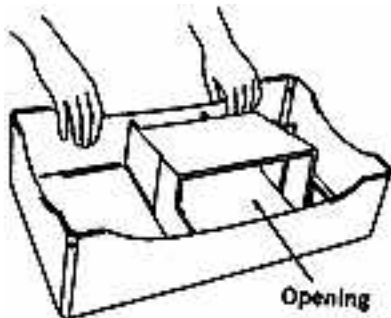
At last they were ready to begin!

Grandmother explained, "First we will read the instruction book together to make certain we understand everything."

"It is very important that you take good care of your machine. Once you learn how easy it is, you will have hours of fun sewing."

"Today I will help you sew," said Grandmother, "but soon you'll be sewing all by yourself."

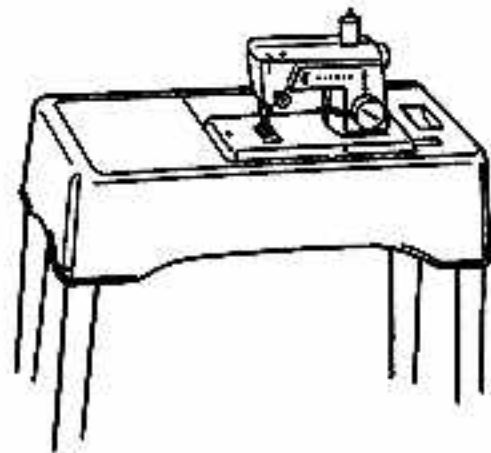
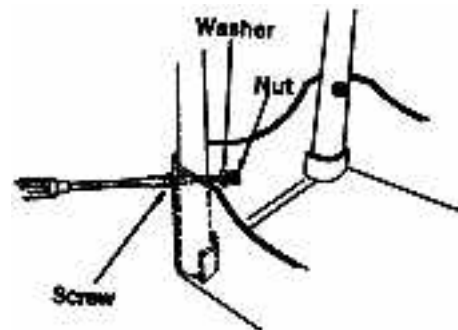
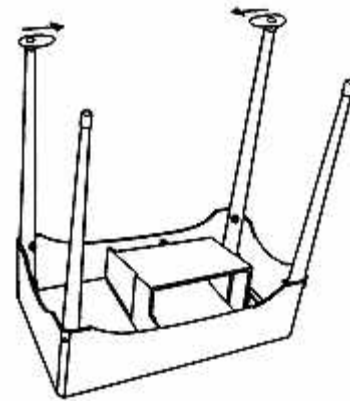
Turn to the back of the book to see how to make the presents that Stephanie gave to her family. You can have lots of fun making them.



Assembling the Sewing Table

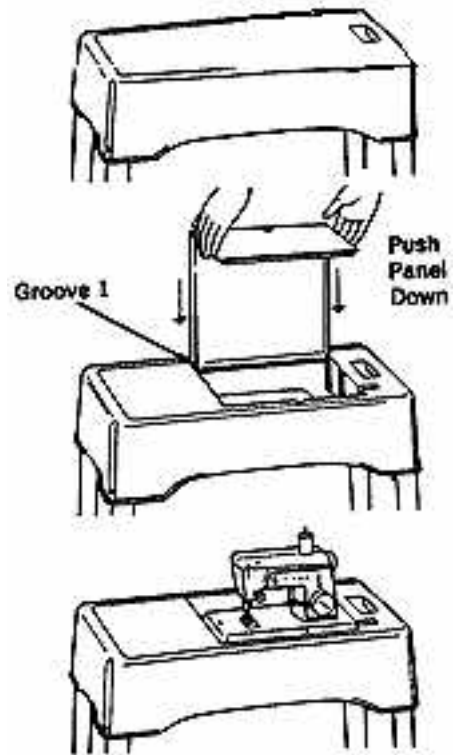
Ask your mother or father to follow these directions in setting up your new sewing table.

1. Remove the panel and machine from the tabletop as instructed on the opposite page.
2. Place the tabletop face down on a table or the floor, with the opening away from you.
3. Place the two legs with the feet in the right and left sockets nearer you. Make sure the feet are pointed inward. (When your daughter is sewing, she can place her feet on these to steady the table if she wishes.) Place the other two legs at the back of the table. Fasten all four legs with screws, washers and nuts, which you will find in the envelope.



Setting Up Your Sewing Machine

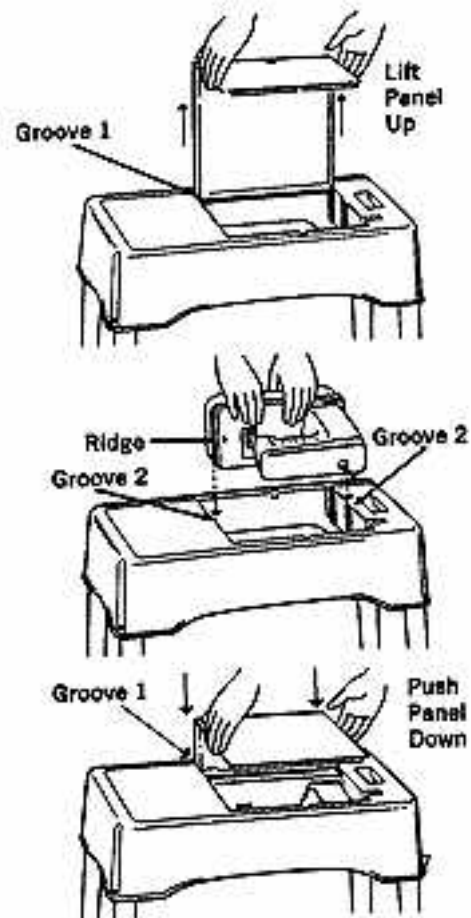
1. Lift the panel in the tabletop by placing one finger in each of the two finger holds. Be sure to lift it gently, straight up. Set the panel aside.
2. Lift the sewing machine out of the well and set it aside.
3. Hold the panel by the short end and slide the long end into groove 1 at both sides of the very back of the table. Set the machine in the space at the front of the table. Now you are ready to sew.



Replacing the Machine

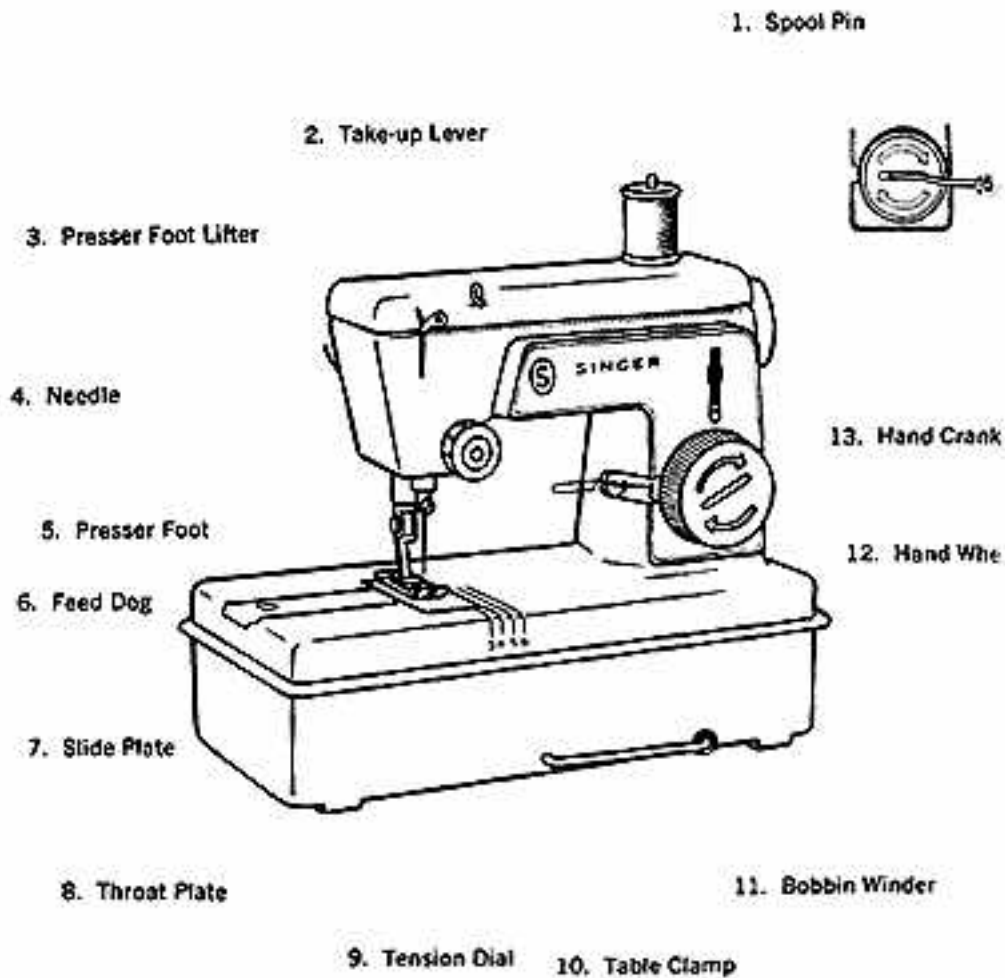
When you have finished sewing, you can leave the machine in place, or you can put it away and have a handy table for other uses.

1. Remove the machine and set it aside.
2. Lift out the panel, pulling it gently straight up. Set the panel aside.
3. Place the machine face down in the well. Make sure the ridge on the machine slides into groove 2 on both sides.
4. Grasp the long side of the panel and slide the small side into groove 1 at both sides of the back of the table.



SINGER Little Touch & Sew 67A

A Name For Everything



Your Little Touch & Sew sewing machine has some very important parts. Each part has a special job to do. Each one has its own name. See how fast you can learn every name.

Table of Contents

Previous Page | Next Page

SINGER

Little Touch & Sew 67A

A Job For Everything

See how fast you can learn what every part does.

1. The SPOOL PIN holds the spools of thread.
2. The TAKE-UP LEVER pulls the thread from the spool to the needle.
3. The PRESSER FOOT LIFTER raises and lowers the presser foot.
4. The NEEDLE carries the thread through the fabric when you sew.
5. The PRESSER FOOT holds the fabric against the feed dog. (Note: Always put fabric under the presser foot when you sew.)
6. The FEED DOG moves the fabric as you sew.
7. The SLIDE PLATE opens so you can take the bobbin out. Slide it to the left to open. Slide it to the right to close.
8. The THROAT PLATE is the working place for your fabric. The numbered guidelines to help you sew straight seams.
9. The TENSION DIAL decides how hard the needle should pull the thread.
10. The TABLE CLAMP holds the machine tightly to your work table.
11. The BOBBIN WINDER holds the bobbin when you wind it. Never leave a bobbin on the winder while you are sewing.
12. The HAND WHEEL moves the take-up lever and the needle at the same time. Always follow the arrows when you turn the hand wheel.
13. The HAND CRANK fits into the slot and holes of the hand wheel so that you can work your machine by hand. You must turn the power switch to OFF before you use the hand crank. Take the hand crank out of the hand wheel if you run your machine by battery or electric power.

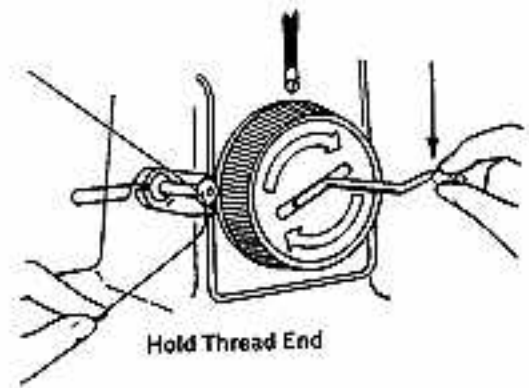
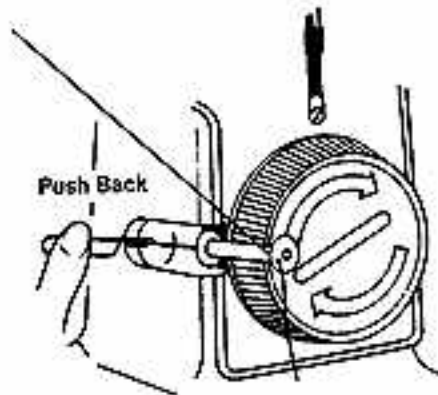
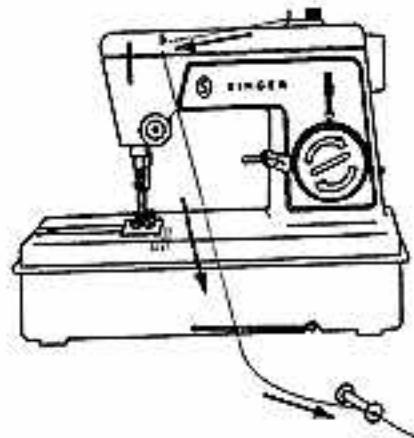
How to wind the Bobbin

1. Place a spool of No. 50 Mercerized cotton thread on spool pin. Pull thread through thread guide number 1.

Bring thread through hole in rim of bobbin from the inside out. Leave about two inches of thread hanging outside of hole.

2. Gently press bobbin winder spring and place bobbin on bobbin winder. The hole you threaded in the rim must face you.
3. Hold thread end with your fingers. Turn hand crank in direction of arrows to wind thread onto bobbin.

Wind only a few coils of thread.

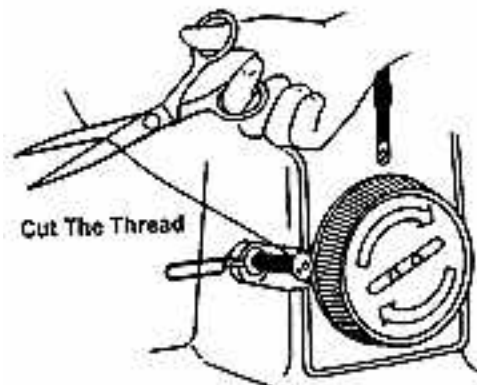
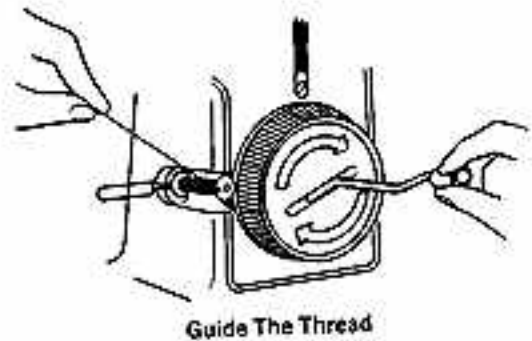
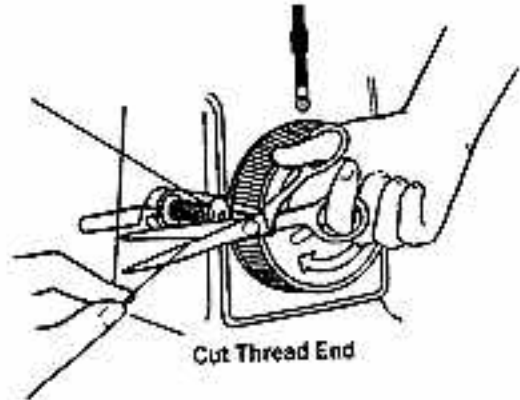


SINGER

Little Touch & Sew 67A

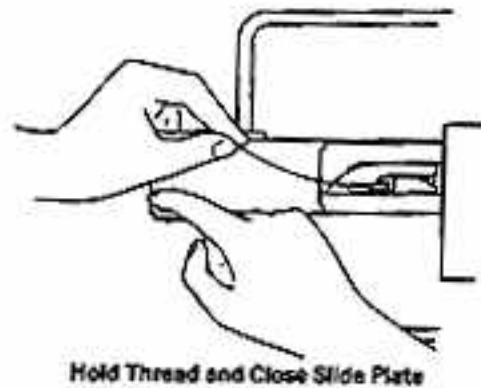
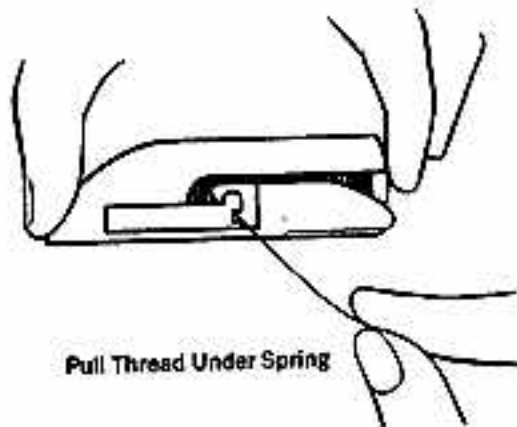
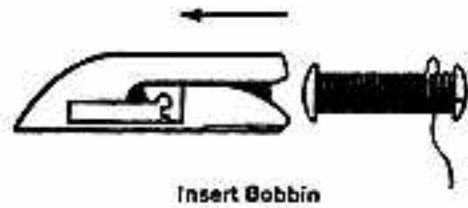
How to Wind the Bobbin continued...

4. Cut off the extra thread hanging from hole in bobbin rim. Be sure you remove the hand crank if you turn on the power switch.
5. Then continue winding bobbin with the hand crank or with the power switch turned to ON. Be sure to guide the thread with your fingers so that it winds evenly on the bobbin.
6. When bobbin is full, cut the thread about 2 or 3 inches away from the bobbin. Then remove bobbin from bobbin winder.



How to replace the Bobbin

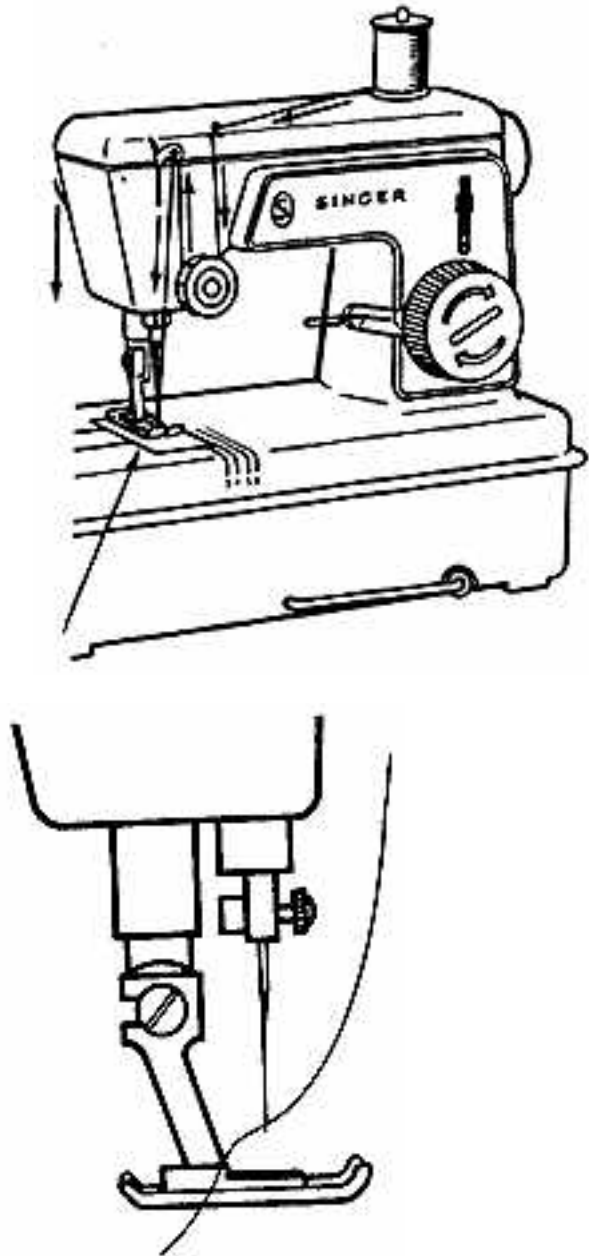
1. Put bobbin into bobbin case with thread hanging as shown in the illustration.
2. Hold your finger against end of bobbin to keep it from turning. Pull end of thread down into slot of bobbin case and up under the tension spring.
3. Put bobbin case into bobbin case holder with the flat side toward you.
4. Hold thread end and close slide plate. Guide thread into cutout slot of slide plate. Let about 2 inches of thread hang outside of slot.



How to thread the Needle

It is very important that you thread your needle correctly. The numbers on your machine show you each step you must follow. After a little practice you won't have to look at the numbers. See how fast you can learn to thread your needle correctly.

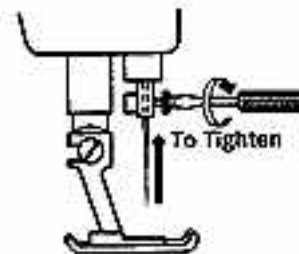
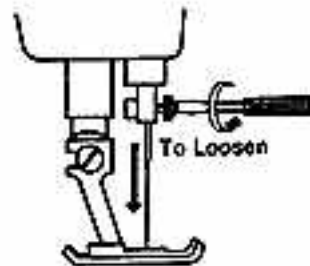
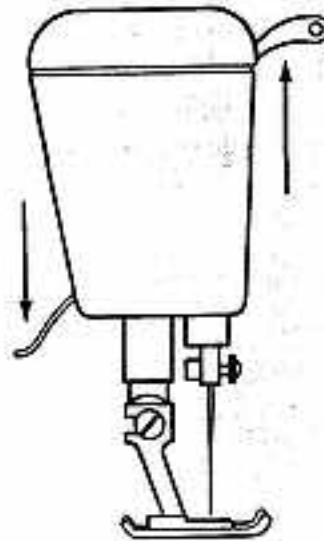
1. Turn hand wheel until needle is as high as it will go.
2. Lower the presser foot.
3. Put a spool of No. 50 Mercerized cotton thread on spool pin.
4. Follow the arrows and thread each step as shown. (At step 2, make sure you place the thread between the two tension discs.)
5. Thread the needle from front to back. Pull out a loop of thread between the tension dial and take-up lever and draw about 3 inches of thread through eye of needle.



How to change the Needle

When your needle becomes blunt or bent, change it right away. Use only a Catalog No. 2020 (15X1) needle, size 14.

1. Be sure the ON-OFF Power Switch is in the OFF position.
2. Turn hand wheel until the take-up lever is raised to its top position.
3. Lower the presser foot.
4. Loosen the screw and pull out the old needle.
5. Insert a new needle. Make sure the flat side of needle is toward the back of machine. Then push it up as far as it will go and tighten the screw.



SINGER Little Touch & Sew 67A

The Tension Dial

When the spool thread locks with the bobbin thread they should both hold tightly to each other. This is called equal tension. When the top thread is tighter or looser than the bottom thread, the tension is unequal and you must adjust the tension dial.

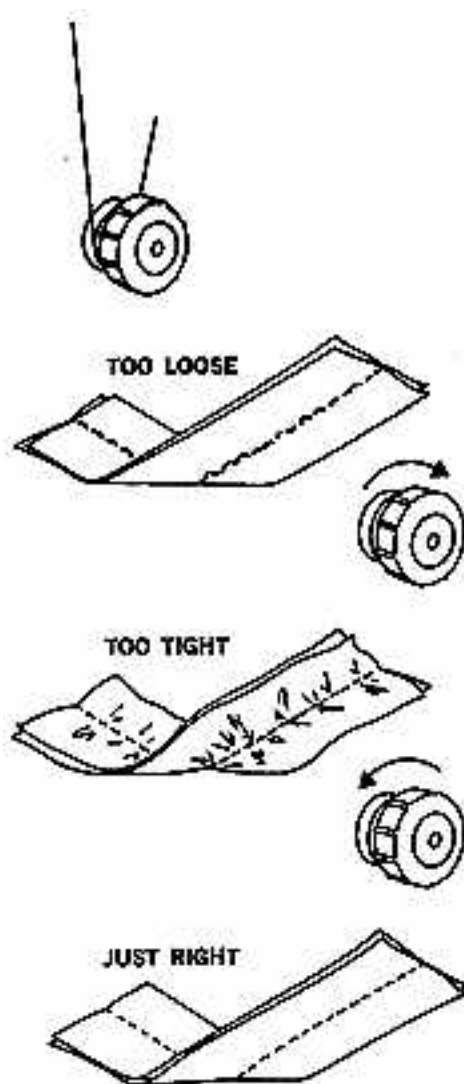
When the tension is just right, you will get a smooth, flat seam. Test the tension on some scrap material. If your tension is unequal, turn the tension dial a little at a time until you get a perfect seam.

How to adjust tension

If your stitching looks like this, make it tighter by turning the tension dial to the right.

If your stitching looks like this, make it looser by turning the tension dial to the left.

When your stitching looks like this, the tension is just right.

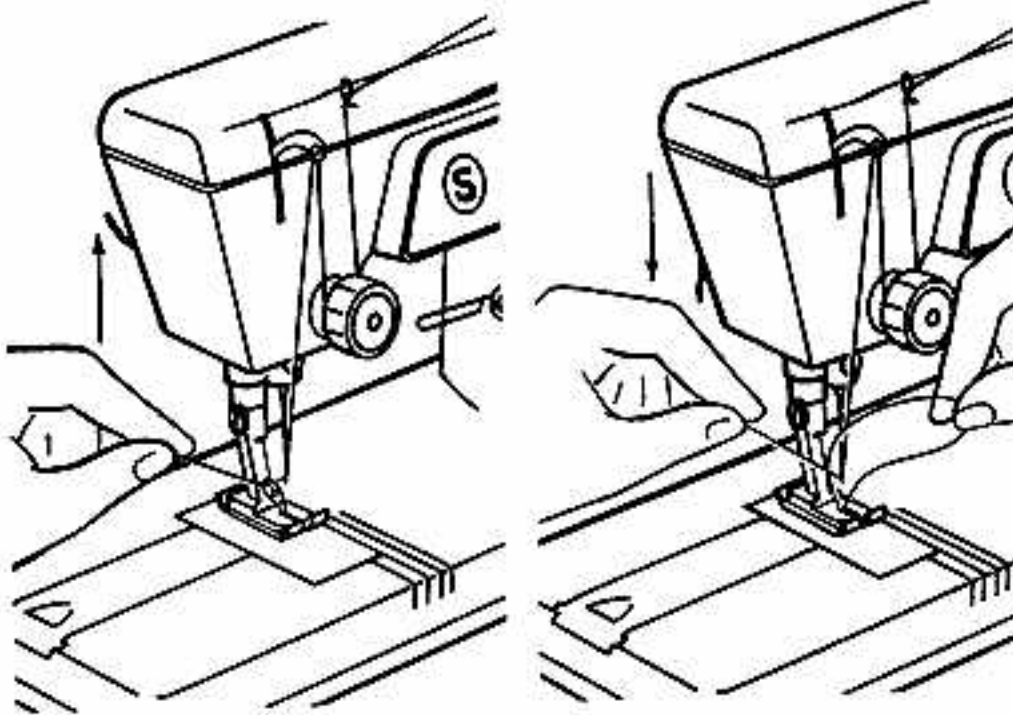


SINGER

Little Touch & Sew 67A

How to sew a seam

A seam is made by stitching two fabric edges together. It must be started, stitched and ended just so to be perfect. Practice each step until you can sew a perfect seam.



How to begin

1. Raise the presser foot.
2. While you hold the needle thread in your left hand, turn the hand wheel slowly in the direction of the arrows so that the needle enters the needle hole.
3. Keep on turning the hand wheel until the

needle rises and brings up the bobbin thread in a loop.

4. Undo the loop with your fingers. This is easier to do if you lower the presser foot first.
5. Raise the presser foot and place both the needle and bobbin threads under the foot to the back of the machine.

[Table of Contents](#)

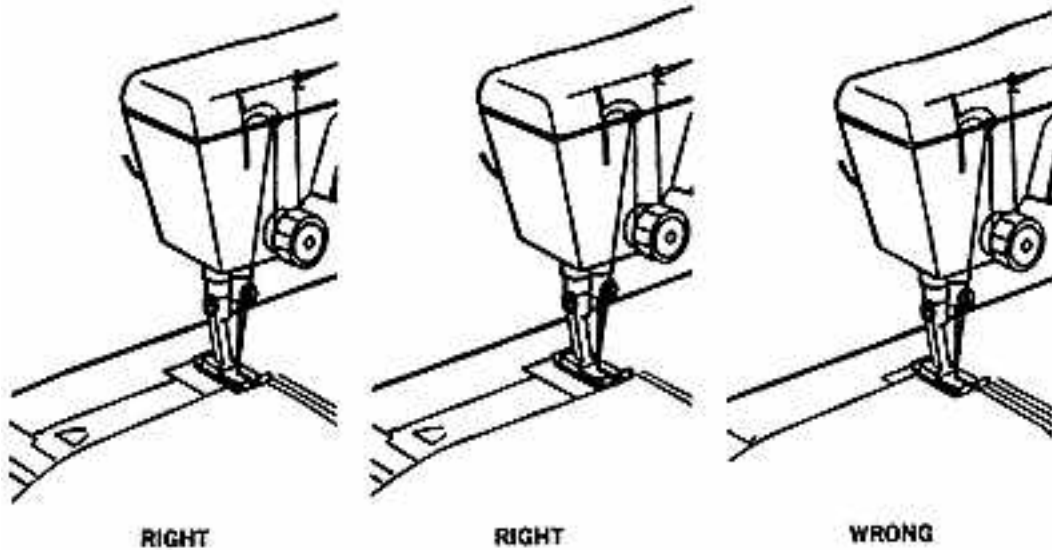
[Previous Page](#) | [Next Page](#)

SINGER

Little Touch & Sew 67A

How to place your fabric

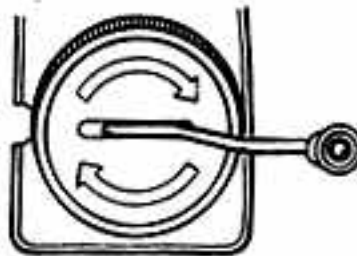
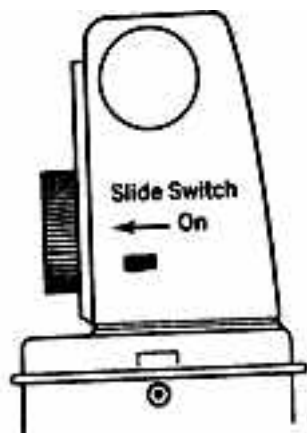
1. Place layers of fabric under presser foot so that the fabric goes to the edge of the foot or past it.
2. Line up the edge of your fabric with one of the guide lines beside the presser foot.



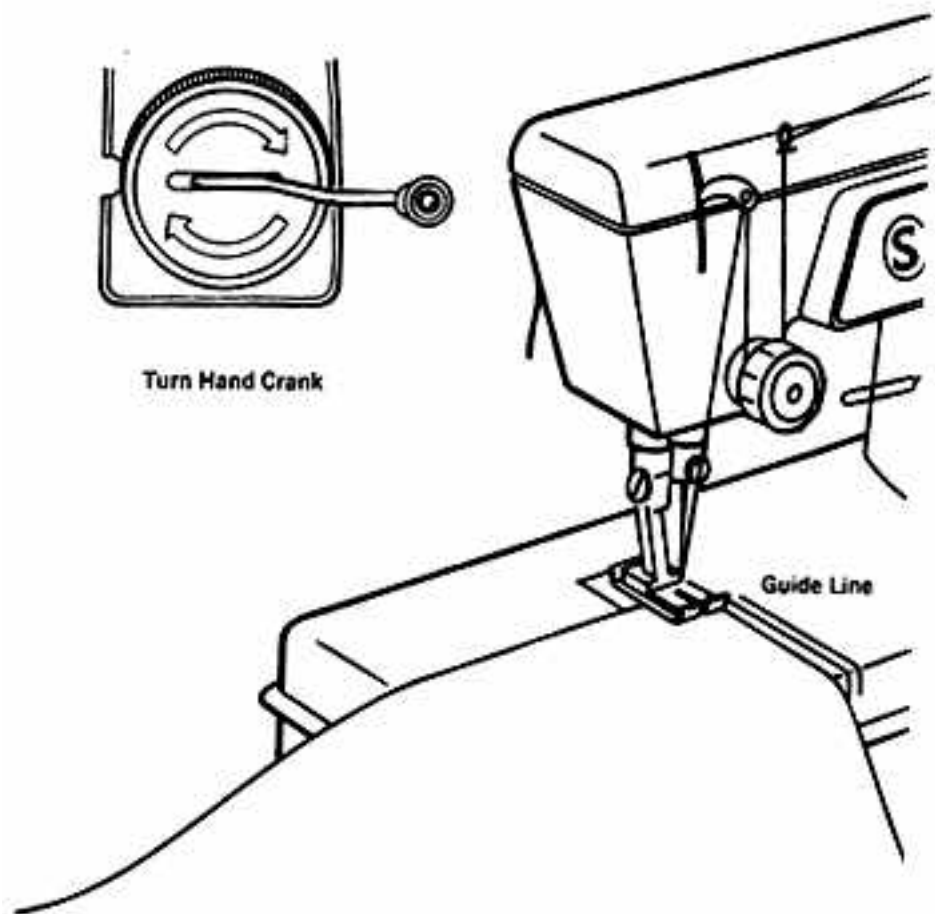
SINGER Little Touch & Sew 67A

How to start stitching

1. Turn the power switch ON or turn hand crank in the direction of the arrows.
2. Guide your fabric along the guide line you have chosen. Stitch to the edge of the fabric.



Turn Hand Crank

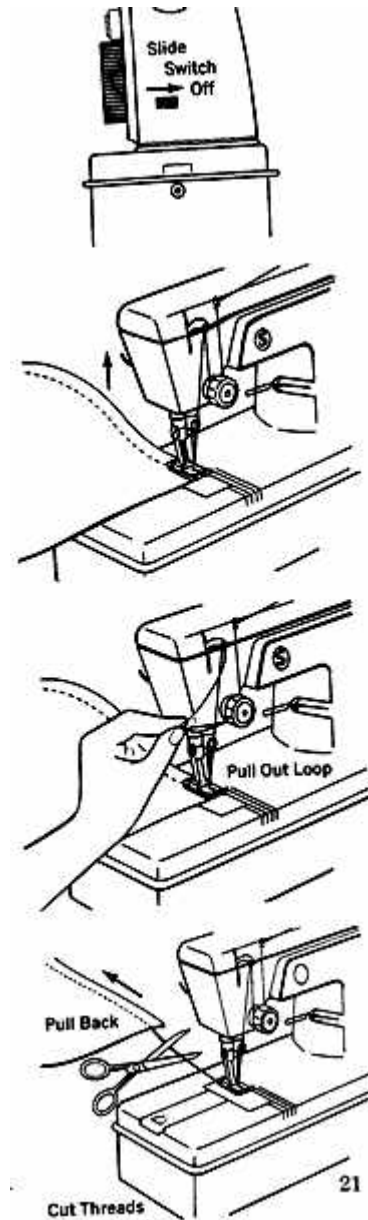


SINGER

Little Touch & Sew 67A

How to end a seam

1. Move power switch to OFF position and turn hand wheel until needle is as high as it will go.
2. Raise the presser foot.
3. Pull out a loop of thread between the tension dial and take-up lever.
4. Pull fabric back and out from under the presser foot.
5. Cut the threads close to the fabric. Let the thread ends under the presser foot go to the back of your machine.



SINGER

Little Touch & Sew 67A

The Adapter

The electrical adapter converts your Little Touch & Sew machine from battery or hand power** to regular household electric power. You can buy one at your local SINGER CENTER.

The adapter is safe and easy to use. Just follow these few simple steps:

1. Make sure the ON-OFF switch is at OFF.
2. Insert the small plug that is on one end of the adapter cord into the hole in the right side of machine.
3. Insert the large plug into any regular wall outlet.
4. Turn the ON-OFF switch to ON.
5. Operate your sewing machine just as if you were using battery power.

**Regular household current is 110-120 volts AC 60 cycle.

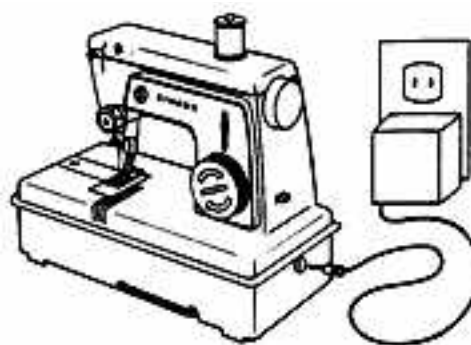
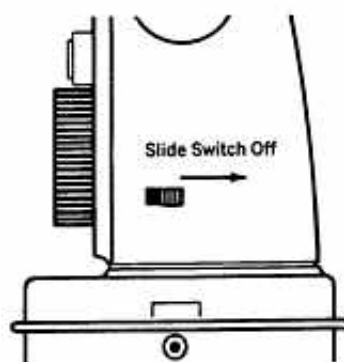
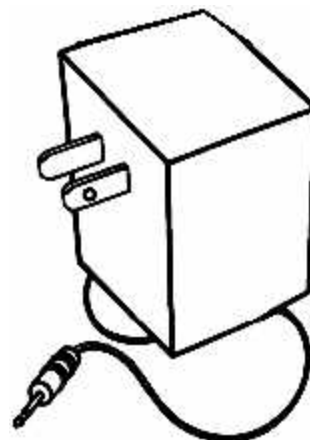


Table of Contents

Previous Page | Next Page

SINGER

Little Touch & Sew 67A



Here are the presents that Stephanie made for her family

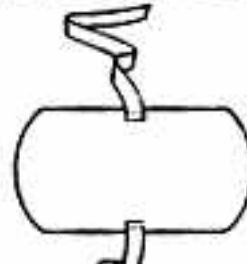
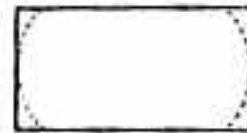
You can make presents for your family, too. They are easy to make and lots of fun.

You will have a good time choosing pretty materials that your family will like. Always be certain to use the type of fabric suggested in the instructions.

Coat for McGurk

Choose a lightweight felt in a solid color.
Choose matching or contrasting grosgrain ribbon for ties.

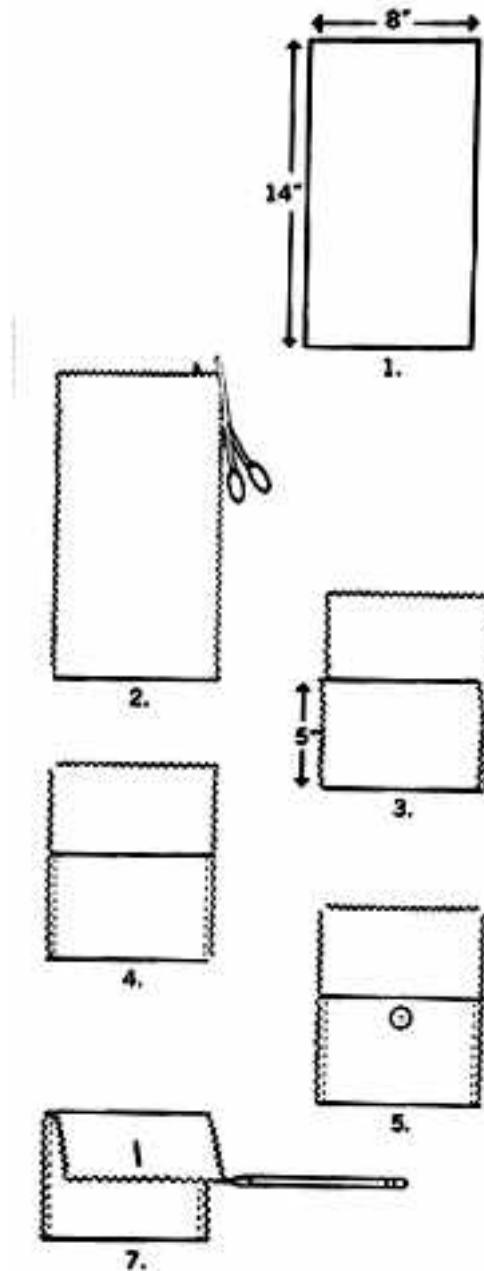
1. Cut a piece of felt to fit your dog from his neck to his tail. Make sure it covers his sides but not his stomach.
2. Trim the corners. Use the illustration as a guide. The - - - lines show you where to cut.
3. Pin a strip of grosgrain ribbon to the middle of each side. One strip should be longer than the other.
4. Stitch ribbon to the felt 1 inch in from the edge.
5. Tie the ribbon in a bow at your dog's side.



Hankie holder for Father

Choose either lightweight felt or flannel for your hankie holder.

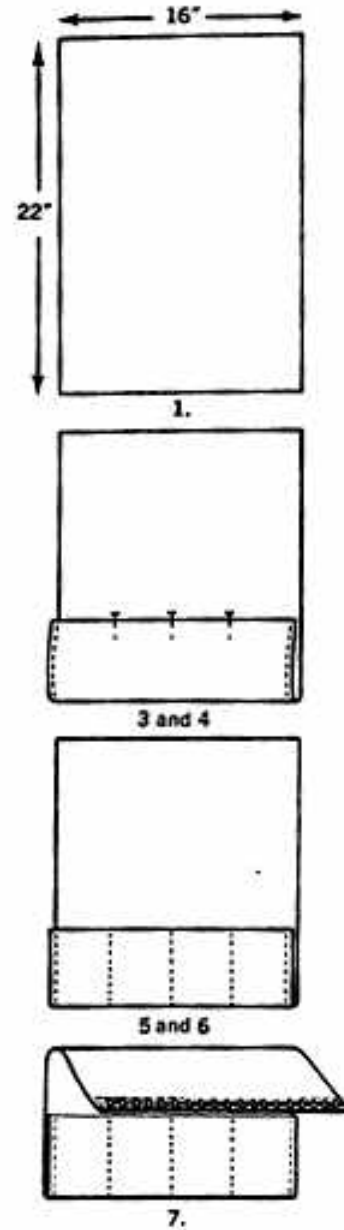
1. Cut an oblong of material 14 inches long and 8 inches wide.
2. If you use flannel, trim the top and sides with pinking shears. It is not necessary to pink felt, but you can do it for decoration if you wish.
3. Fold up 5 inches at the bottom, with the wrong side on the inside, to form a pocket.
4. Stitch along pocket sides. Use the illustration as a guide. The --- lines show you where to stitch.
5. Sew a pretty button on the pocket part. Be careful to sew through only one thickness of material. If you sew through both, you will sew the pocket together.
6. Fold top flap over to 1 inch past the button. Make a light pencil mark where the button is.
7. Cut a buttonhole where you mark. Make it a little longer than the width of your button.



Stocking holder for Mother

Choose either lightweight felt or flannel for your stocking holder. Choose matching or contrasting grosgrain ribbon or lace.

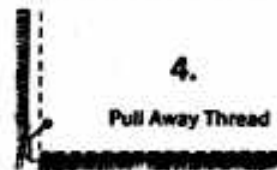
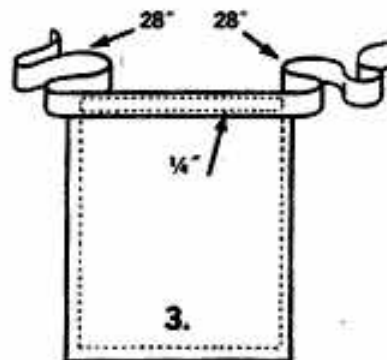
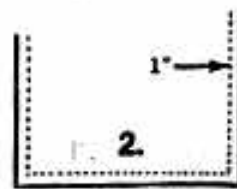
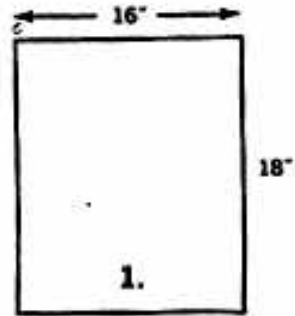
1. Cut an oblong of material 22 inches long and 16 inches wide.
2. Fold up 5 inches at the bottom, with the wrong side on the inside, to form a pocket.
3. Stitch along pocket sides. Use the illustration as a guide. The - - - lines show you where to stitch.
4. Section the pocket part into 4 equal spaces. Each space should be 4 inches wide. Mark with pins.
5. Draw light lines where you should stitch. Look at the illustration for a guide.
6. Stitch over your lines.
7. Sew a 16-inch strip of lace or grosgrain ribbon over the top outside edge for decoration.



Apron for Grandmother

Choose a pretty linen or linen-like fabric, either printed or solid color. Choose 2 yards of matching or contrasting grosgrain ribbon 2 inches wide.

1. Cut a piece of linen 18 inches long and 16 inches wide.
2. Stitch around 3 sides, 1 inch from each edge. Use the illustration as a guide. The - - - lines show you where to stitch.
3. Sew ribbon on top edge. Make sure the ties that hang over each side are 28 inches long on each side. The - - - - lines show you where to stitch. Each row of stitching should be 1/4 inch from edge of ribbon.
4. With a pin, pull away threads to stitching line to form a fringe.



SINGER Little Touch & Sew 67A

Nightie for Carolyn

Choose a pretty cotton, either printed or solid color. Choose matching or contrasting gros-grain ribbon or lace.

1. Measure your doll from her shoulders to her feet. Cut material the same length.
2. Cut width of material to fit around your doll plus 2 inches.
3. Fold over top and bottom edges to make hems. Make each hem about 3/4 inch wide and stitch 1/4 inch from the edge.
4. Fold over side edges with the wrong side on the outside. Sew side edges together. Use the illustration as a guide. The - - - lines show you where to stitch.
5. Press the seam open. The seam goes in the back.
6. On the top edge of the wrong side, sew 4 strips of grosgrain ribbon or lace equal distances from each other.
7. Turn right side out.
8. Tie bows in the ribbons or lace to form shoulder straps.
9. Tie matching ribbon or lace around the waist for a sash.

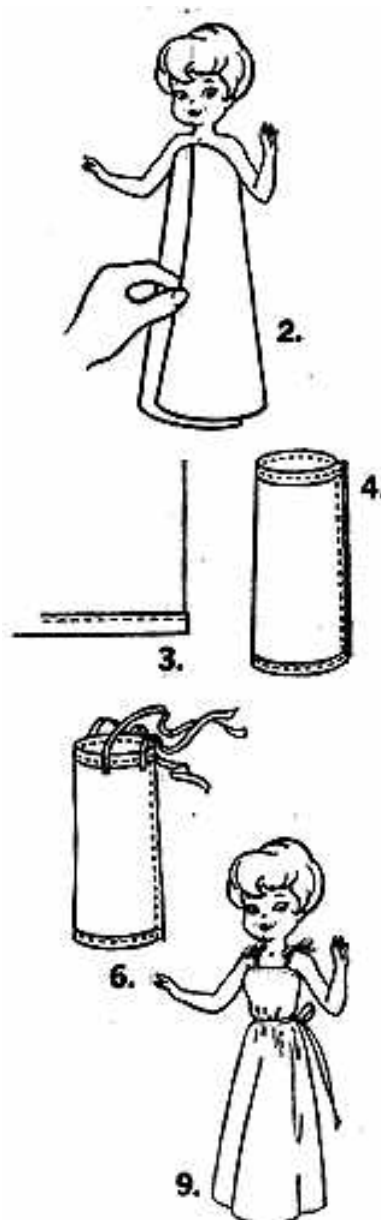


Table of Contents

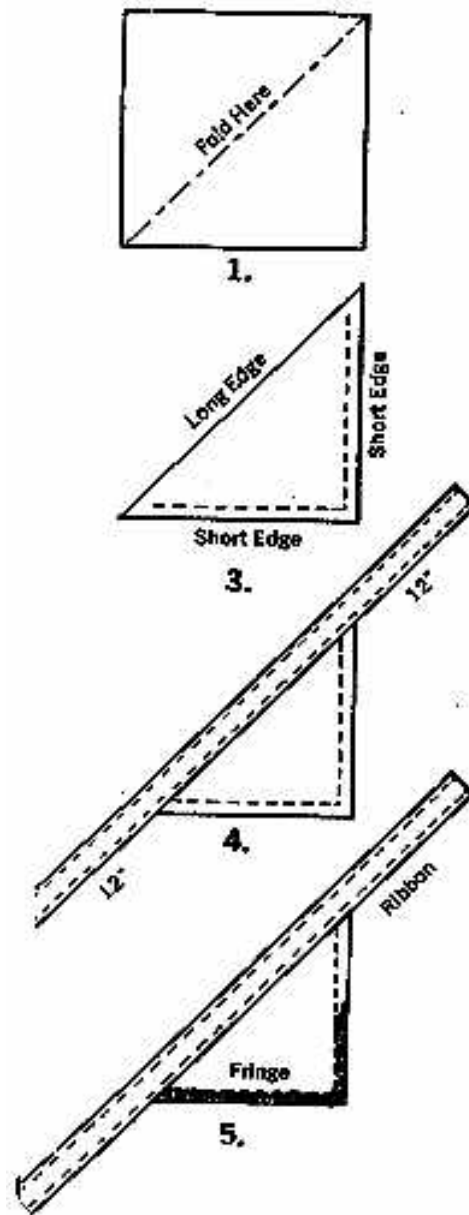
Previous Page | Next Page

Scarf for Barbara

Choose a pretty linen, either printed or solid color. Choose matching or contrasting gros-grain ribbon 2 inches wide.

1. Fold a square of material to form a triangle.
2. Cut on the fold line. Set one triangle aside.
3. Stitch around the two short sides, 1 inch from the edge. The - - - lines show you where to stitch.
4. Sew the ribbon along the longest edge. Make sure the ties on each side are 12 inches long. Each row of stitching should be 1/2 inch from the edge of the ribbon.
5. With a pin, pull away fabric threads up to stitching line to form a fringe.

Use the other triangle to make a matching



SINGER

Little Touch & Sew 67A



We hope you have fun sewing. If you have any questions about sewing, we will be glad to answer them for you. If you have any problems with something you are trying to sew, we will try to help you solve them.

Please write to:
Department of Sewing Education
The Singer Company
30 Rockefeller Plaza, New York,
N.Y. 10020

Table of Contents

Previous Page