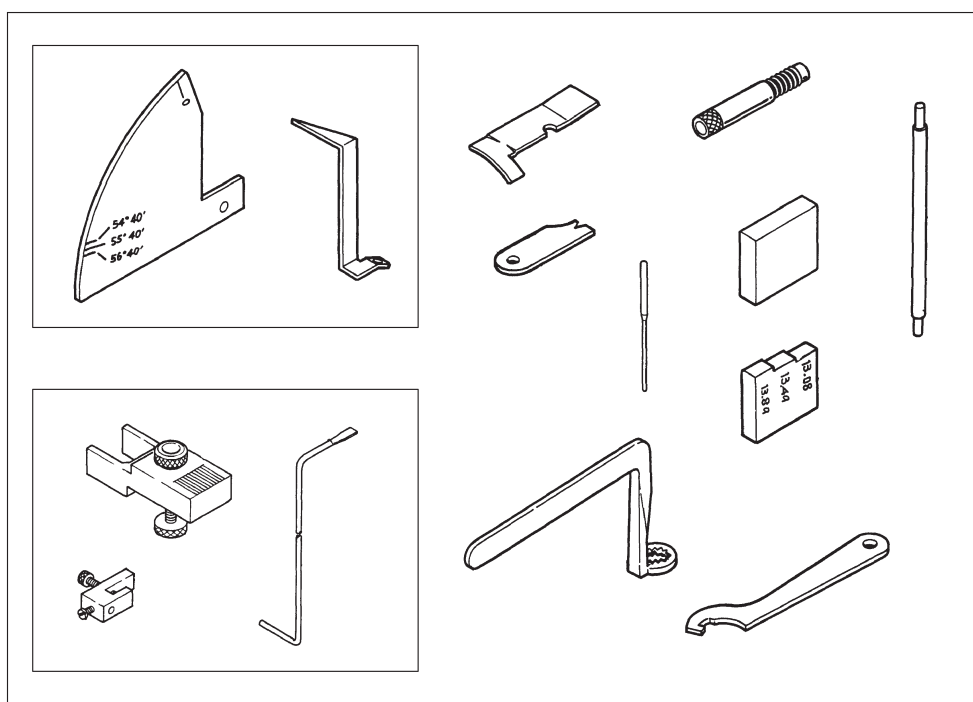


Yamato[®]

Service Manual

FEED-OFF-THE-ARM MACHINE FOR FLAT SEAMING

FD Series



This document is a simplified version of the service manual. The adjustment methods and similar information that are included in the sewing machine's instruction manual are omitted. Use this document together with the instruction manual.

Note that the tools and gauges used in this manual are special-order tools. Please purchase them separately.

CONTENTS

1. How to use tools and gauges	1
1.1 Installing needle clamp	1
1.2 Height of needles	2
1.3 Adjusting back and forth moving amount of looper	3
1.4 Setting angle of looper	4
1.5 Adjusting right and left moving amount of looper	5
1.6 Timing of needle and looper	6
1.7 Distance between needle and looper	8
2. Special adjustment	9
2.1 Adjusting frame chip guard	9
2.2 Adjusting stitch unlocking spring	9
2.3 Left-and-right position of needle and stitch plate tongue	10

Note

This product is subject to change without notice. Due to such event, the contents of this manual may not match the product in some regards. Every effort has gone into making this manual, nevertheless should you discover any mistakes or missing information, please note that it may not always be possible for Yamato to correct those errors immediately.

1. How to use tools and gauges

⚠ CAUTION

ALWAYS turn OFF the motor switch and check that the motor stops before the work.

1.1 Installing needle clamp

Tools and gauges: Needle bar setting torque rod (0068375) ①

Standard torque: 2.0 N·m

Insert the needle bar setting torque rod ① into the hole on the upper side of the needle bar ②, and tighten it until it starts to bend.

! NOTE

Do not tighten with a torque higher than 2.0 N·m.

If you tighten with a torque higher than 2.0 N·m, the diameter of the lower edge of the needle bar ② will expand, making the needle bar ② unusable.

Note that the lower edge of the needle bar ② does not touch the top end of the needle clamp ③.

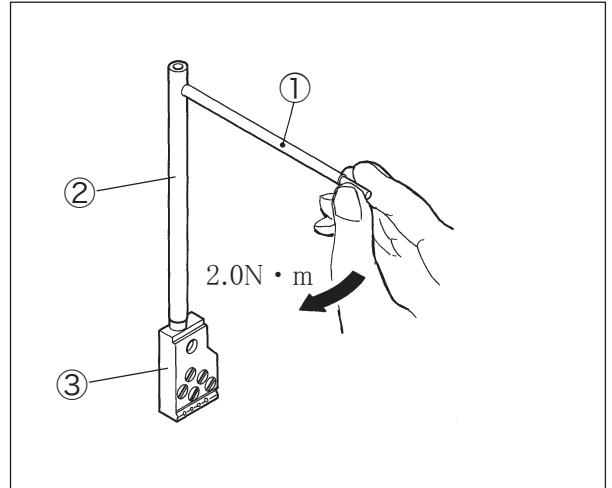


Fig. 1-1

1.2 Height of needles

Tools and gauges: Needle height test pin (0068370) ①

Needle height gauge (see table below) ②

Part No. of needle height gauge	Needle distance	Height of needles
0068360	R	13.49 mm
0068563	S	12.70 mm

- (1) Rotate the pulley to move the needle bar ③ to the highest point.
- (2) Insert the needle height test pin ① into the fourth hole to the left of the needle clamp ④ .
- (3) Remove the seal plug ⑤ .
- (4) Loosen the screw ⑥ .
- (5) Adjust so that the 13.49 mm (12.70 mm) section of the needle height gauge ② can enter smoothly with no clearance.
- (6) Set the needle, and make sure that the needle and the needle drop are parallel. (Fig. 1-4)
- (7) Tighten the screw ⑥ .
- (8) Install the seal plug ⑤ .

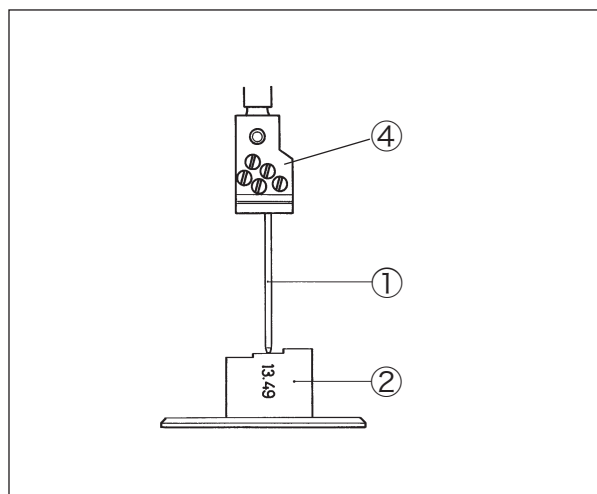


Fig. 1-2

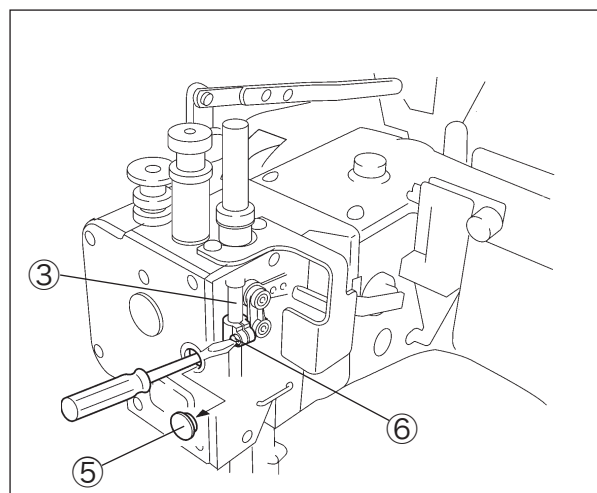


Fig. 1-3

NOTE

It is easy to check the parallelism of the needle and the needle drop if you use the upper knife ⑦ , with the lateral groove of the stitch plate as a reference. (Fig. 1-5)

If the left-and-right position of the needle is not appropriate (center of the needle drop area), the sewing cylinder must be adjusted.

(Refer to “2-3 Adjusting the sewing cylinder position” in this manual.)

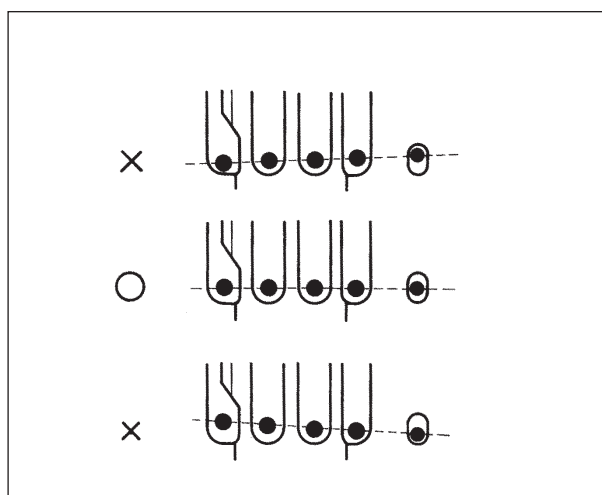


Fig. 1-4

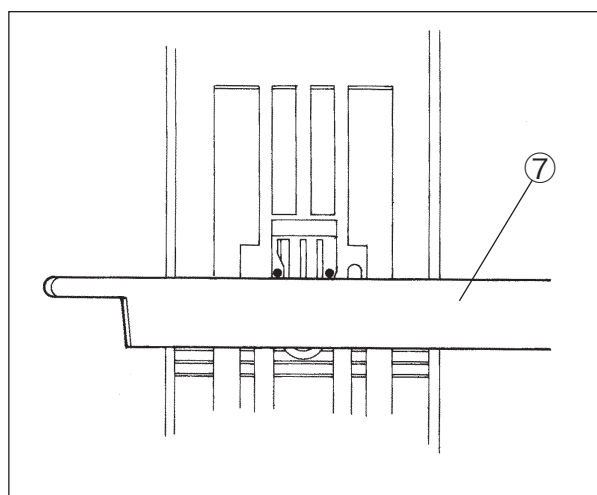


Fig. 1-5

1.3 Adjusting back and forth moving amount of the looper

Tools and gauges : Looper avoid gauge unit (0068371) ①
Offset box wrench (0099099) ⑥

Standard back and forth moving amount: 2.1 mm to 2.4 mm (2.4 mm at shipment)

- (1) Rotate the pulley to move the looper rocker shaft to the rearmost position.
- (2) Remove the looper cover spring support, and then insert the looper avoid gauge unit ① into its hole.
- (3) Press the bearing ③ forward so that the plunger ② is fully pushed out, and then fix it with the screw ④ . (Fig. 1-7)
- (4) Adjust so that when you rotate the pulley to move the looper rocker shaft to the foremost position, end face A of the bearing ③ comes between end faces B and C of the plunger ② . (Fig. 1-8)
 - If end face B of the plunger ② is aligned with end face A of the bearing ③ , the back and forth moving amount of the looper ⑤ is 2.1 mm.
 - If end face C of the plunger ② is aligned with end face A of the bearing ③ , the back and forth moving amount of the looper is 2.4 mm.
- (5) To perform adjustment, remove the sewing cylinder cover (left), loosen the screw ⑥ at the front of the looper avoid connecting rod with the offset box wrench ⑥ , and move the screw ⑥ up or down. (Fig. 1-9)
 - Move up to shorten the back and forth moving amount.
 - Move down to lengthen the back and forth moving amount.

! NOTE

After adjusting the back and forth moving amount of the looper, be sure to check the front-and-rear position of the needle and looper.
(Refer to "Adjusting the looper" in the instruction manual.)

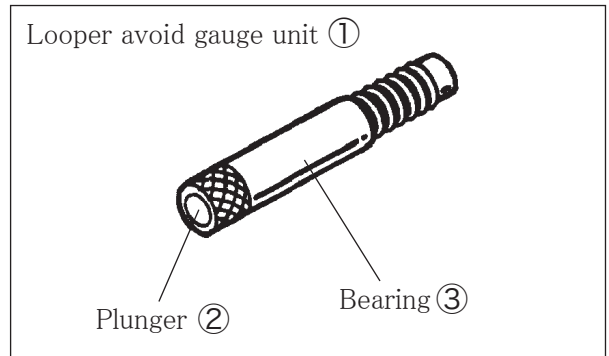


Fig. 1-6

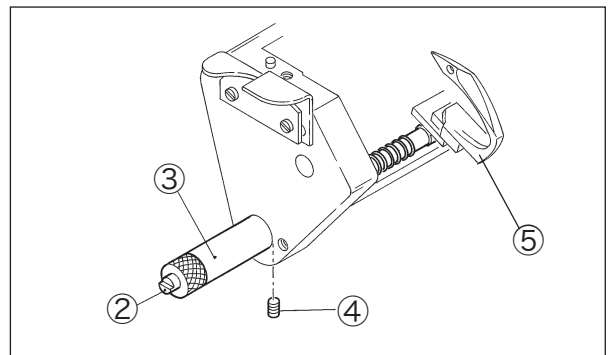


Fig. 1-7

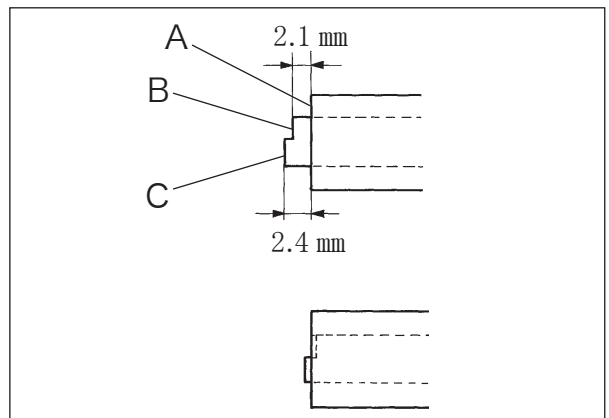


Fig. 1-8

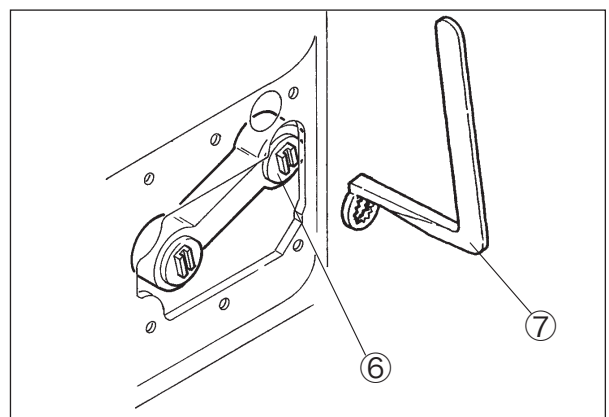


Fig. 1-9

1.4 Setting angle of looper

Tools and gauges: Looper angle gauge (0068368) ①

Standard setting angle: Face A is perpendicular to the looper rocker shaft ② (Fig. 1-11)

- (1) Insert the looper angle gauge ① into the inner wall in which the feed bar of the sewing cylinder is positioned.
- (2) Insert a screwdriver into the semicircular cutout section B and press it against the right wall face, while also making it contact the looper ③.
- (3) Loosen and adjust the screw ④ so that the looper ③ is against the end face of the looper angle gauge ① with no clearance.

! NOTE

After adjusting the looper setting angle, be sure to check the front-and-rear position of the needle and looper. (Refer to "Adjusting the looper" in the instruction manual.)

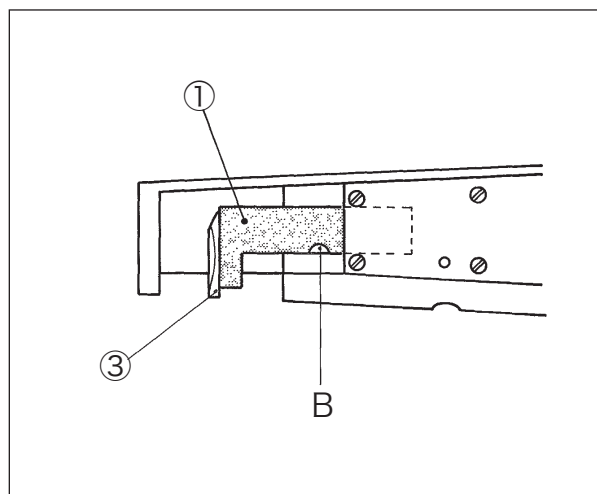


Fig. 1-10

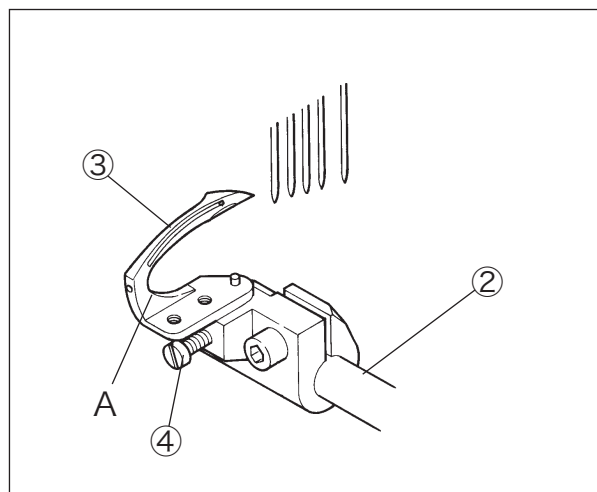


Fig. 1-11

1.5 Adjusting the right and left moving amount of looper

Tools and gauges: Looper rocking movement gauge unit (0068365) ①

Standard moving amount: $55^{\circ} 40'$ ($54^{\circ} 40'$ to $56^{\circ} 40'$)

- (1) Remove the looper cover spring support, and then insert section A of the gauge graduation into its hole.
- (2) Tighten slightly with the screw ④.
- (3) Use the screw ⑤ of the needle guard (front) to install the gauge pointer ③.

The gauge pointer ③ should be as close as possible to the gauge graduation ②.

- (4) Fix with the screw ④ so that when you rotate the pulley to move the looper ⑥ to the rightmost position, 0° on the gauge graduation ② is aligned with the gauge pointer ③.
- (5) Check the graduation of the gauge pointer ③ when you rotate the pulley to move the looper ⑥ to the leftmost position.

Adjust if the gauge pointer is not within the standard ($54^{\circ} 40'$ to $56^{\circ} 40'$).

Adjustment

- (1) Remove the top cover (front) of the frame and the top cover (front) gasket, loosen the lock nut (left-hand thread) ⑦, and adjust with the adjusting screw ⑧.
 - Rotate the adjusting screw ⑧ clockwise to decrease the moving amount.
 - Rotate the adjusting screw ⑧ counterclockwise to increase the moving amount.
- (2) After adjustment, tighten the lock nut ⑦. Check the right and left moving amount again.

! NOTE

After adjusting the right and left moving amount of the looper, be sure to check the timing of the needle and looper.
(Refer to “1.6 Timing of the Needle and Looper” in this manual.)

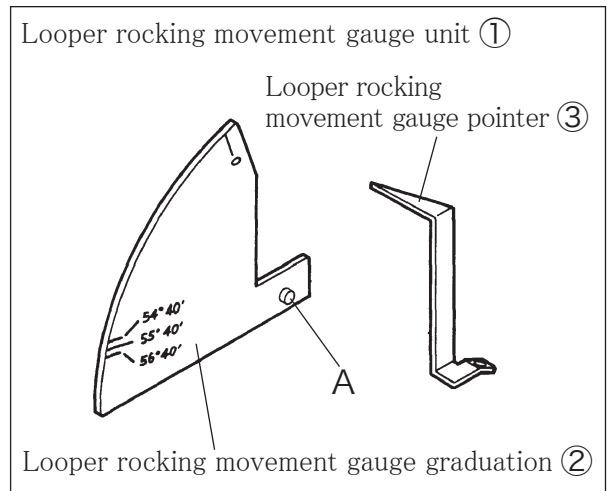


Fig. 1-12

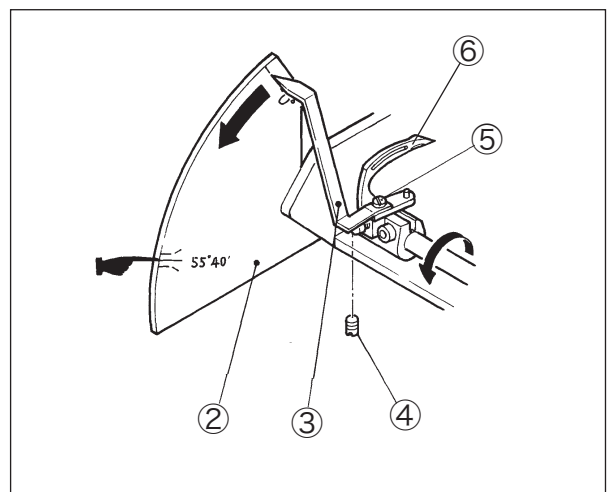


Fig. 1-13

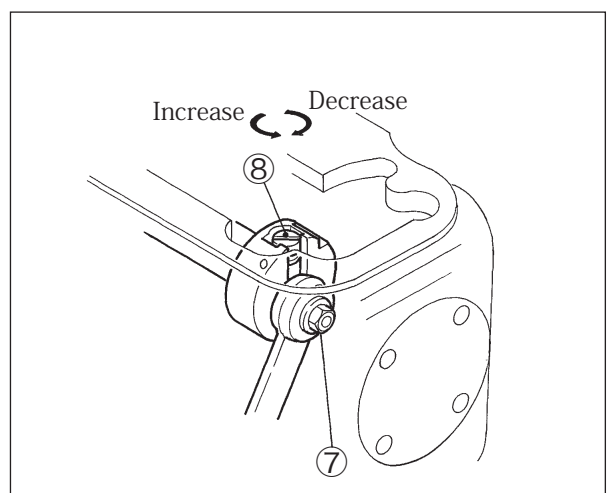


Fig. 1-14

1.6 Timing of needle and looper

Tools and gauges: Looper and needle synchronizing gauge unit (0068361) ①

Standard timing : The needle and looper are synchronized at a position 3.97 mm from where the needle starts its upward movement from the lowest point.

- (1) Rotate the pulley to move the needle bar to the lowest point.
- (2) Loosen the adjusting screw ⑤ .
- (3) Insert the needle setting block ② to the adjusting screw ⑤ .
- (4) Position so that the adjusting screw ⑥ comes above the needle bar, and tighten the needle setting block ② .
- (5) Rotate the adjusting screw ⑥ until the clearance with the top of the needle bar ⑬ is 3.97 mm.

i NOTE

The thickness of the looper clamp and height gauge ③ is 3.97 mm.

You can use this section to measure the clearance between the adjusting screw ⑥ and the top of the needle bar.

- (6) Fix with the nut ⑦ .
 - (7) Slowly rotate the pulley clockwise until the top of the needle bar ⑬ makes contact with the adjusting screw ⑥ .
 - (8) Fix the looper clamp and height gauge ③ to the looper ⑨ with the screw ⑩ .
 - (9) Install the gauge rod ④ onto the looper clamp and height gauge ③ with the screw ⑫ , and fix the gauge rod ④ so that its tip is positioned near to the center of the graduation of the setting block ② .
- At this time, check the graduation.
- (10) Slowly rotate the pulley counterclockwise until the top of the needle bar makes contact with the adjusting screw ⑥ .
 - (11) If the difference between the graduation indicated by the tip of the gauge rod ④ and the graduation that you checked in step (9) is less than one graduation, then the timing is correctly aligned.

Adjust if the difference is more than one graduation.

(Refer to the following page for details on adjustment.)

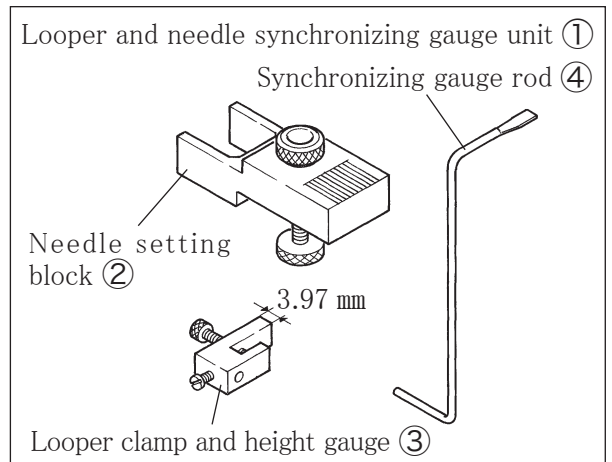


Fig. 1-15

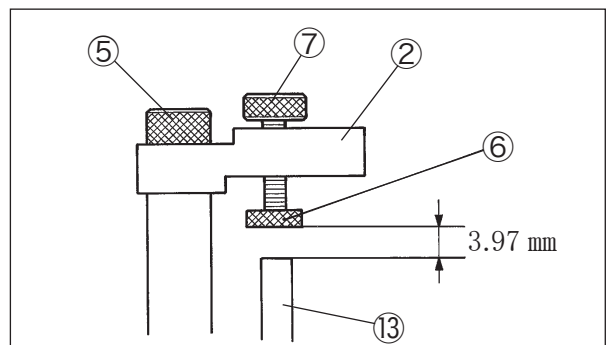


Fig. 1-16

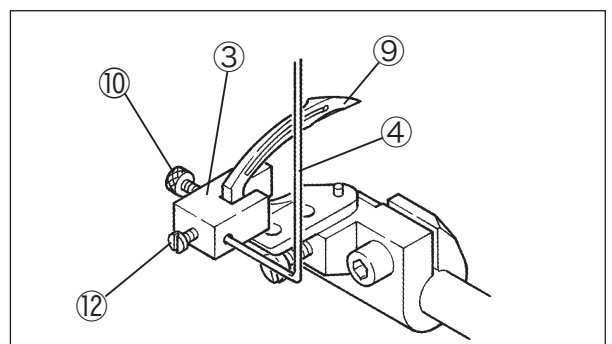


Fig. 1-17

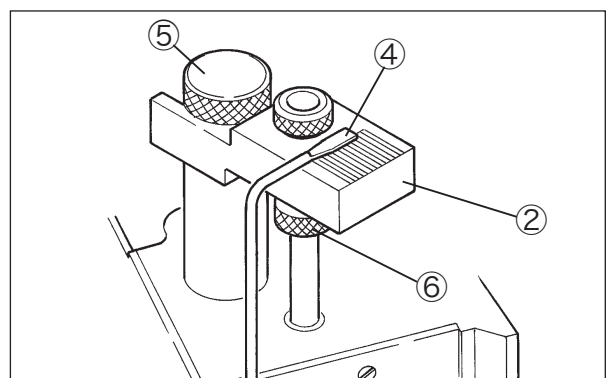


Fig. 1-18

Adjustment

- (1) Remove the crank chamber cover and the crank chamber cover gasket.
- (2) Loosen the screws ① (×3) of the coupling.
- (3) When the pulley is rotated clockwise to make the top of the needle bar ⑬ contact the adjusting screw ②, if the tip of the gauge rod ③ moves further to the right than when the pulley is rotated counterclockwise, the looper timing is too early. Rotate the main shaft ⑤ counterclockwise relative to the crankshaft ④. If the tip of the gauge rod ③ moves further to the left, the looper timing is too late. Rotate the main shaft ⑤ clockwise.

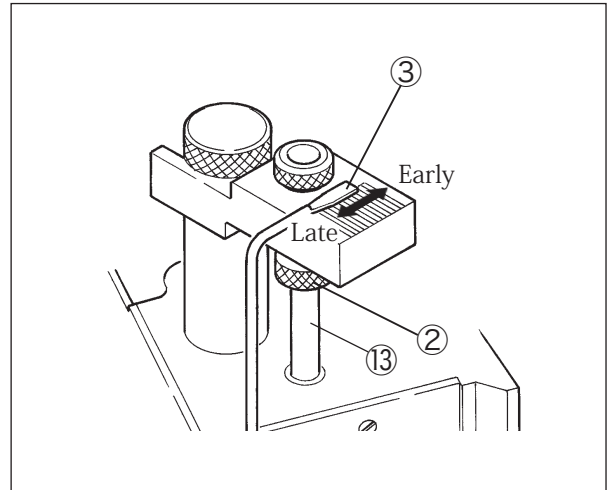


Fig. 1-19

! NOTE

After adjusting the coupling, perform the checks in steps (8) to (11) of “1.6 Timing of the needle and looper” in this manual. Because of these checks, it is easier if the screw ① is kept slightly tightened until the adjustment is finished.

After adjustment, tighten the screw ①, and then check the timing of the needle and looper again.

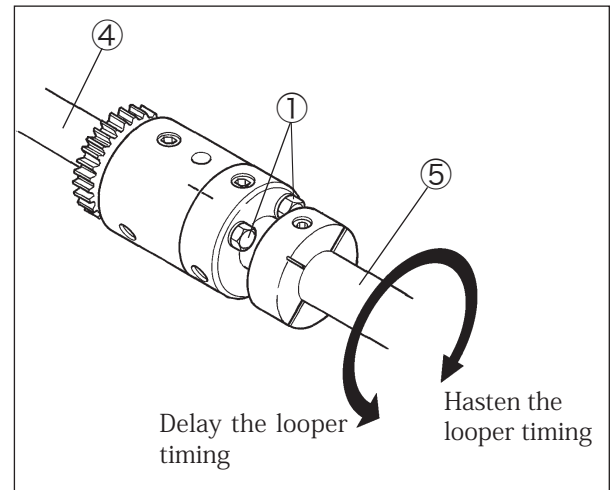


Fig. 1-20

1.7 Distance between needle and looper

Tools and gauges: Looper gauge (0068369) ①

Standard distance: When the looper is at the left end, the distance from the looper tip to the center of the left needle is 4.2 to 4.8 mm.

- (1) Rotate the pulley to move the looper ② to the leftmost point.
- (2) Loosen the screw ③ of the looper holder.
- (3) Set the distance between the needle and the looper ② with the looper gauge ①.

The looper gauge ① is 4.76 mm. Use this gauge as a guide to adjust the distance between the needle and looper to between 4.2 and 4.8 mm.

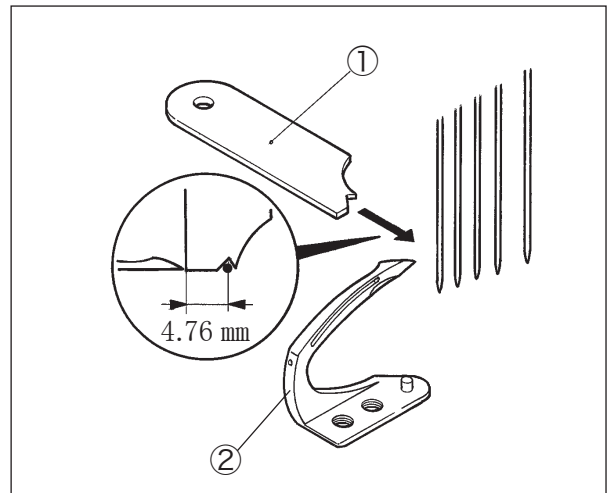


Fig. 1-21

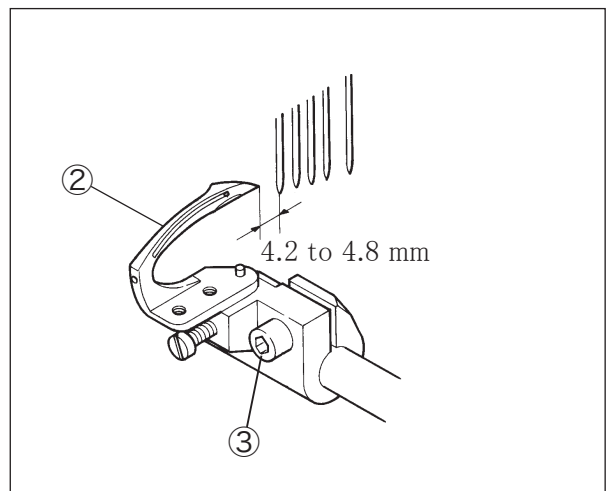


Fig. 1-22

2. Special adjustment

⚠ CAUTION

ALWAYS turn OFF the motor switch and check that the motor stops before the work.

2.1 Adjusting frame chip guard

Tools and gauges: Pin wrench (0099098) ①

Standard position: In the frame chip guard ②, the top face of the bearing and the bottom face of the washer ③ are just like a cam, and are kept closed.

(1) Loosen the screw ④.

(2) Rotate the washer with the pin wrench ①.

Set the position against the chip guard of the presser foot.

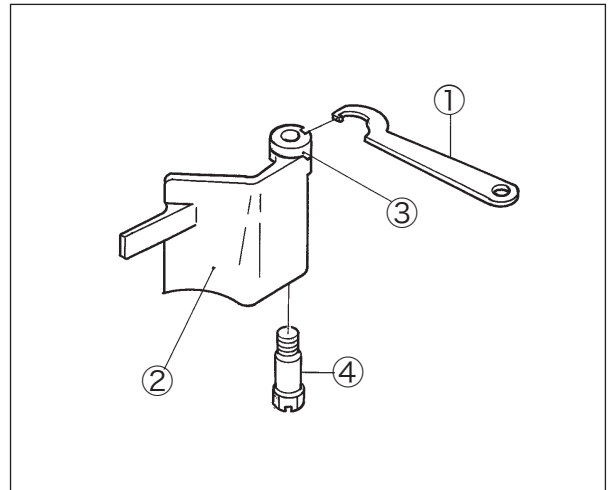


Fig. 2-1

2.2 Adjusting stitch unlocking spring

When pulling out the fabric from under the presser foot while sewing, reverse the pulley rotation. At this time, make sure that the stitch unlocking spring ⑤ stops a loop from being formed in front of the needle.

The standard strength of the stitch unlocking spring ⑤ is 14 g.

Adjust the stitch unlocking spring holder with the screw ⑥.

- Rotate the screw ⑥ clockwise to decrease the spring strength.
- Rotate the screw ⑥ counterclockwise to increase the spring strength.

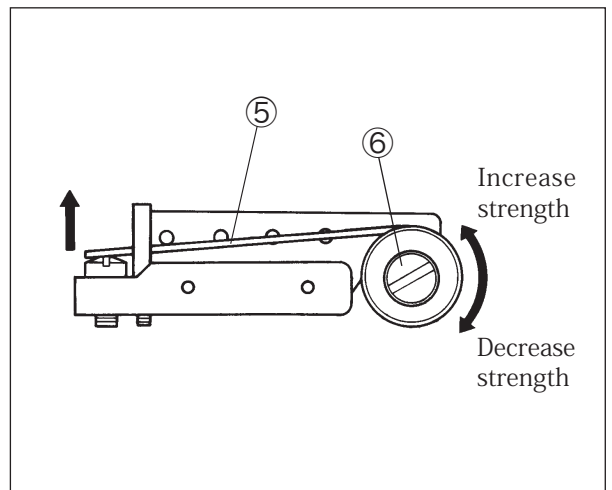


Fig. 2-2

2.3 Left-and-right position of needle and stitch plate tongue

The left-and-right position of the needle and retainer is the center of the needle drop of the stitch plate tongue. If the position is not as described above, adjust the sewing cylinder.

Adjustment

- (1) Remove the top cover (front) of the frame and the top cover (front) gasket.
- (2) Slightly loosen the screw ① that joins the sewing cylinder.
- (3) Adjust by rotating the sewing cylinder alignment eccentric pin ② with the screwdriver.
 - Rotate the sewing cylinder alignment eccentric pin ② clockwise to move the sewing cylinder (stitch plate) to the left.
 - Rotate the sewing cylinder alignment eccentric pin ② counterclockwise to move the sewing cylinder (stitch plate) to the right.
- (4) When the stitch plate is (set) in the correct position, tighten the screw ④ .

i NOTE

If the screwdriver cannot reach the sewing cylinder alignment eccentric pin ② because of the collar of the looper lever shaft, loosen the collar screw and move the collar to the front. After adjustment, return the collar to its original position and tighten the collar screw.

If liquid gasket is adhered to the frame and sewing cylinder and the sewing cylinder does not move even if you rotate the sewing cylinder alignment eccentric pin ②, lightly strike an area close to the joint area with a plastic or wooden hammer.

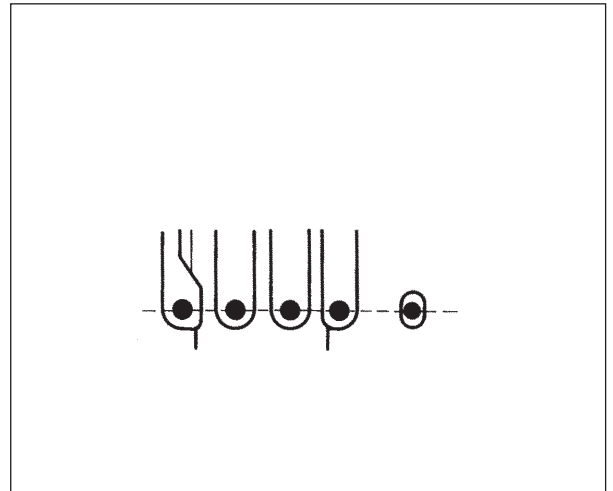


Fig. 2-3

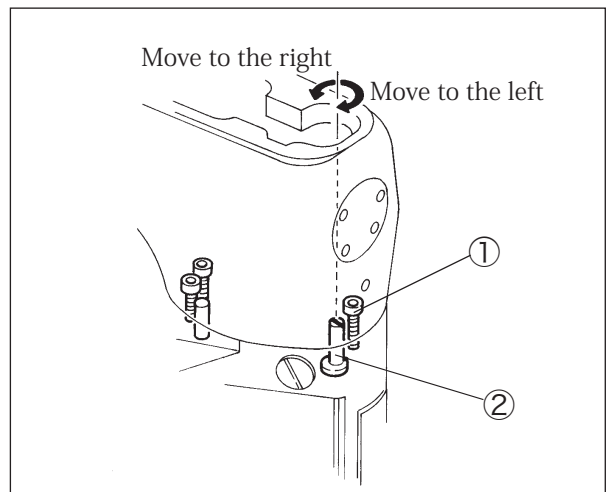


Fig. 2-4







4-4-12,NISHITENMA, KITA-KU, OSAKA,JAPAN
TEL : 81-6-6364-1321 FAX : 81-6-6364-1307
〒530-0047 大阪市北区西天満4丁目4番12号
TEL(06) 6364-1321(代) FAX(06) 6365-5176